

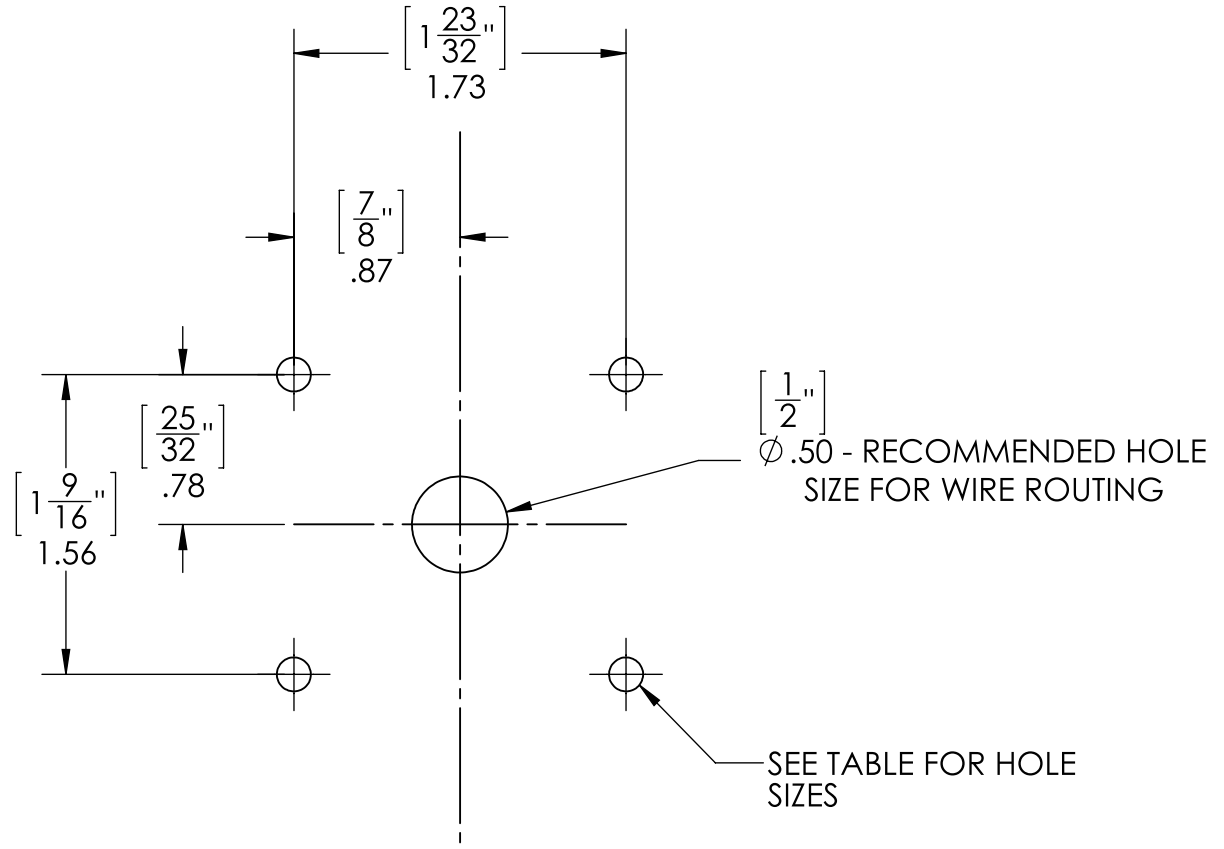
FEATURES:

- Compatible with popular mobile devices
- Designed to mount easily to wood or plastic cabinet
- Charge 'N Play logo is backlit with a white LED for increased visibility (Custom logos also available)
- Input Voltage +12V, Output Voltage +5 DC +/-1%5



INSTRUCTIONS FOR PART NUMBER: 96-1503-00

USB CHARGE 'N PLAY - MOUNTING TEMPLATE



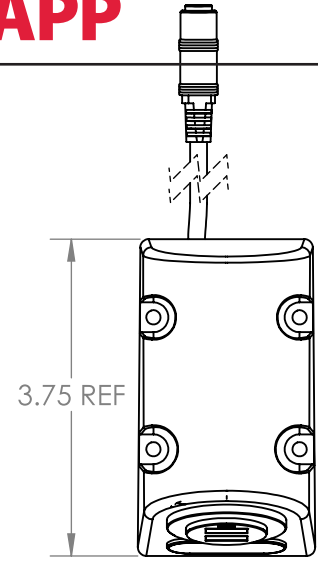
Screw Size	Recommended Hole Size
#8 Machine Screw	.177" (#16 Drill) or .187" (3/16" Drill)
#8 Sheet Metal Screw - Type B Thread	.136" (#29 Drill)
#8 Wood Screw	.093 ~ .125 (3/32" ~ 1/8" Drill)



INSTRUCTIONS FOR USE AS A PHYSICAL TEMPLATE:

- Print this PDF on 8.5" x 11" (A4) paper.
- Page scaling should be set to "Actual Size".
- All dimensions shown are in inches. Fractional dimensions shown are approximated to the nearest 1/32"

INSTRUCTIONS FOR PART NUMBER: 96-1503-00

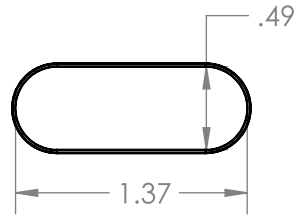
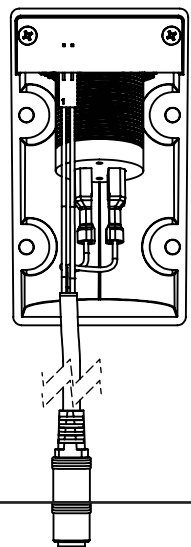
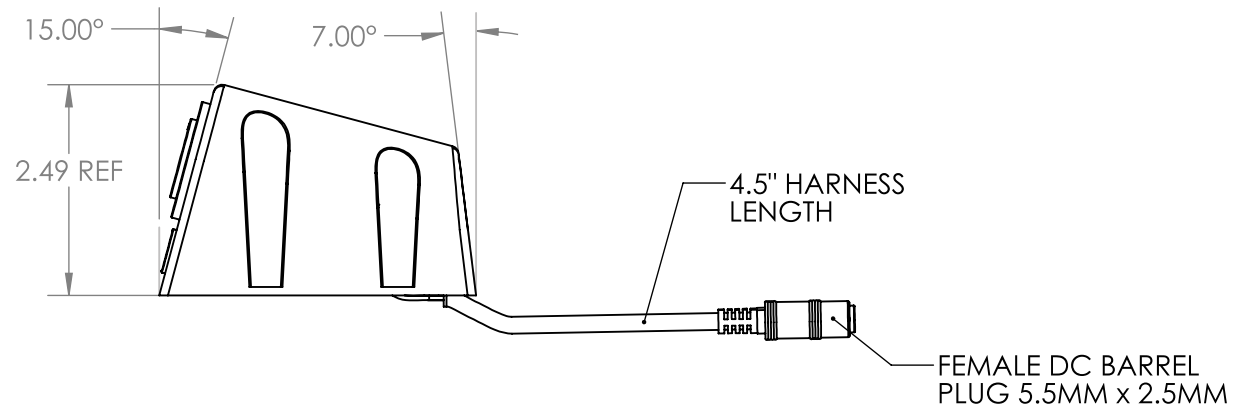
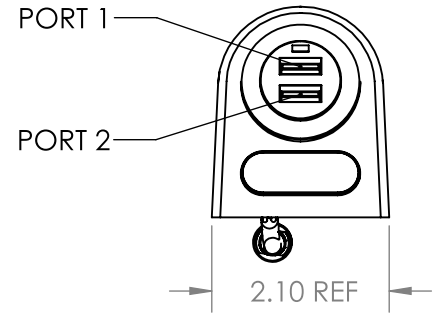


SPECIFICATIONS

INPUT: 12VDC
 OUTPUT: 5VDC 2.1A
 PROTECTION: SHORT CIRCUIT / OVERHEATING

PORT 1 - OPTIMIZED FOR IPHONE & IPOD - FAST CHARGING AT FULL SPEED (1A)

PORT 2 - OPTIMIZED FOR OTHER SMARTPHONE AND TABLETS (FAST CHARGING UP TO 2.1A)



LOGO LENS GRAPHIC AREA

