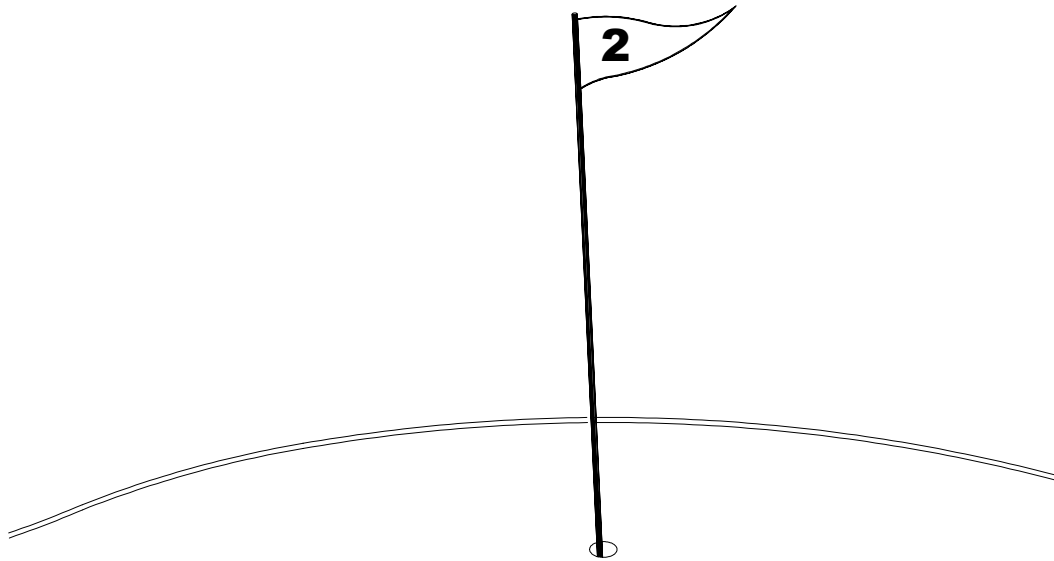


SKINS GAME

CHAPTER



SERVICE



NOTICE: Instructions in this chapter apply to a typical converted Midway upright cabinet.

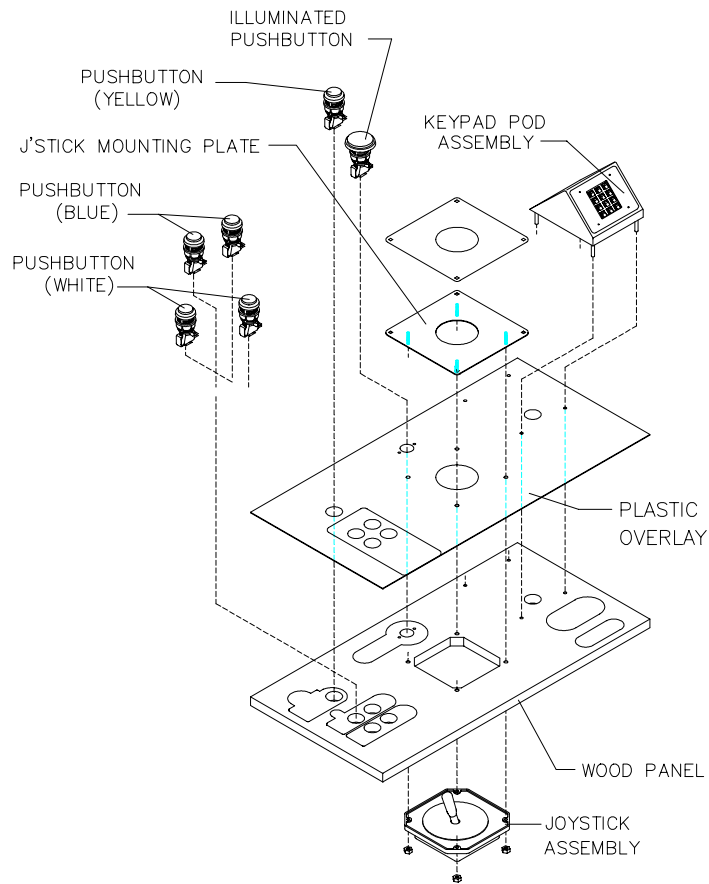
SERVICE



CAUTION: Before attempting any of the following procedures on your Skins Game Video Game Machine, turn AC Power off. Failure to do so can cause personal injury, may damage the components, and may void your warranty.

Control Panel

To remove controls, unlock and open control panel. Remove washers, nuts, and other fastening hardware before removing components. Disconnect and label wiring for easier reassembly. Remove plastic overlay if necessary.

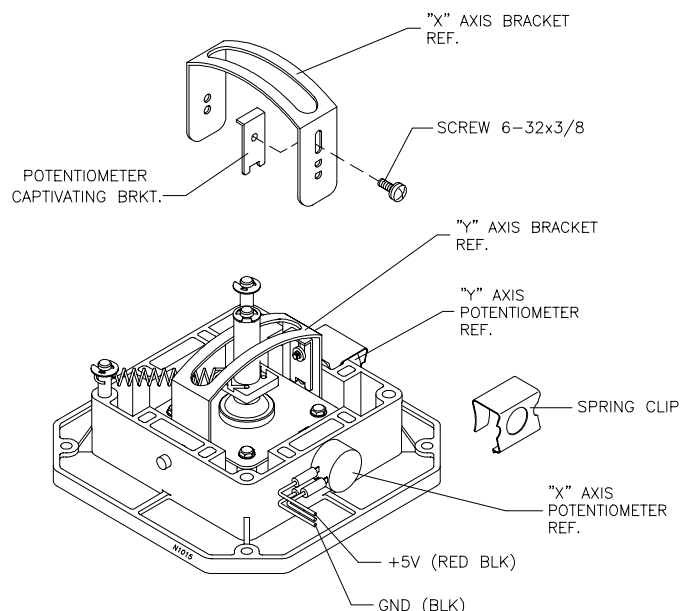


Joystick Assembly

Open control panel. Label and disconnect joystick wiring harness. Loosen and remove four nuts holding joystick to control panel. Lift joystick assembly out of control panel.

To remove potentiometer, pull bottom of spring clip out to unlatch and pull clip up to remove. Pull potentiometer away from assembly gently to release.

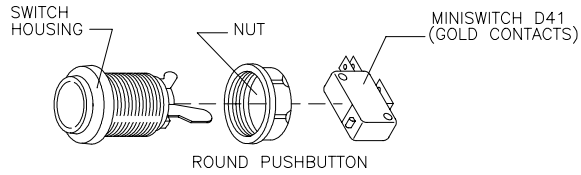
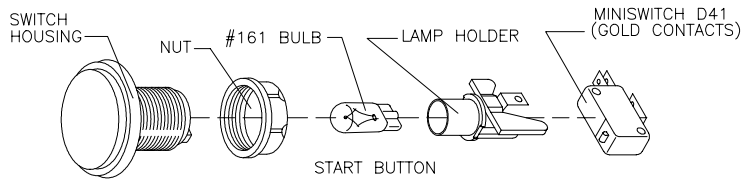
Replace pot by seating snugly in its housing, flush against plastic base. If seated properly, pot cannot be rotated by hand more than a degree or two.



Push Buttons

Open control panel. Label and disconnect wires. Separate switch from its pushbutton. Bend large prong away from switch just enough to slide switch off housing.

To remove light inside START button, pull light bulb up and out of socket. Unscrew switch mounting nut and pull entire pushbutton out from front of panel.



Fan Assembly

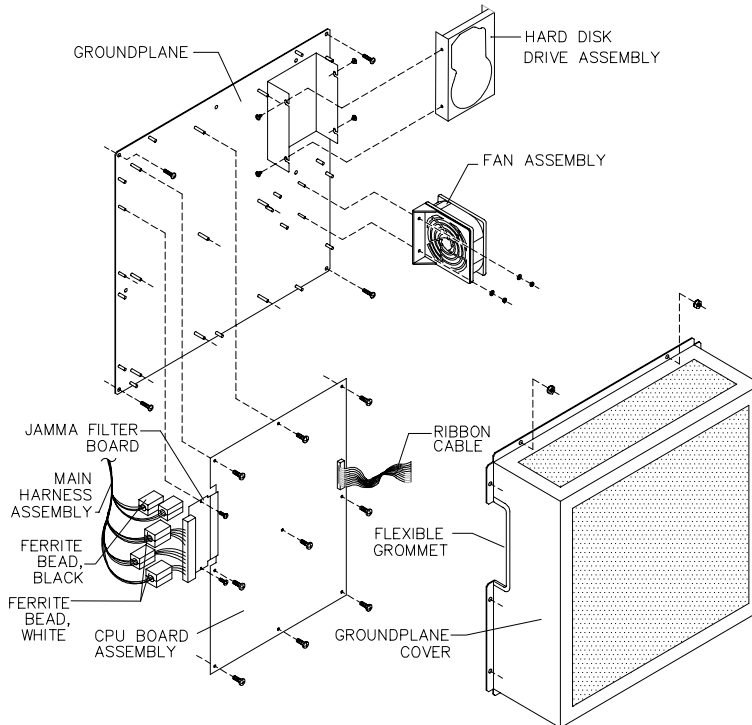
Remove rear door. Remove hex nuts on groundplane cover. Remove cover and set in safe place. Disconnect wiring harness and remove mounting hex nuts and washers. Remove fan from cabinet.

Hard Disk Drive

Remove groundplane cover and set in safe place. Disconnect wires from hard drive and remove bracket mounting screws. Loosen screws in sides of drive and gently remove hard drive from bracket. Store and transport hard drive in anti-static bag.

CPU Board Assembly

Remove groundplane cover and set in safe place. Disconnect wires from harness. Remove mounting screws.

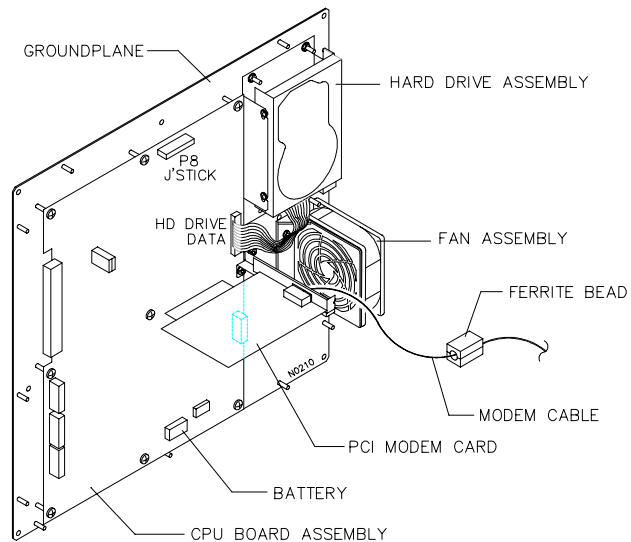


Battery

Lithium battery sits on top of timekeeper IC. Carefully pry off battery and replace with identical type.

Modem Card

Remove groundplane cover. Remove modem cable from modem card. Remove modem mounting screw. Carefully remove modem card from PCI slot without excessive rocking motion.



NOTES:
