

THE GRID



CHAPTER

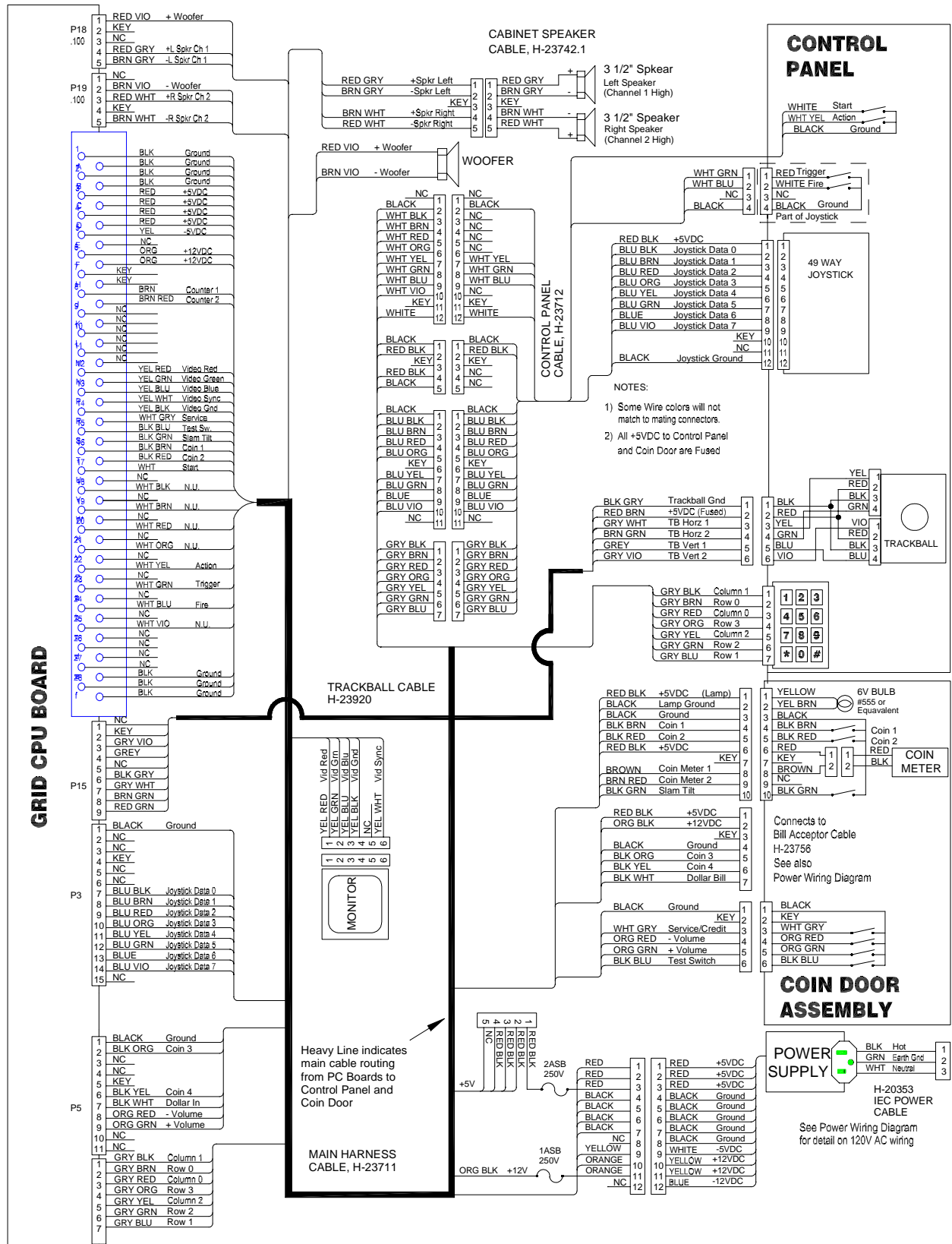
5

Wiring

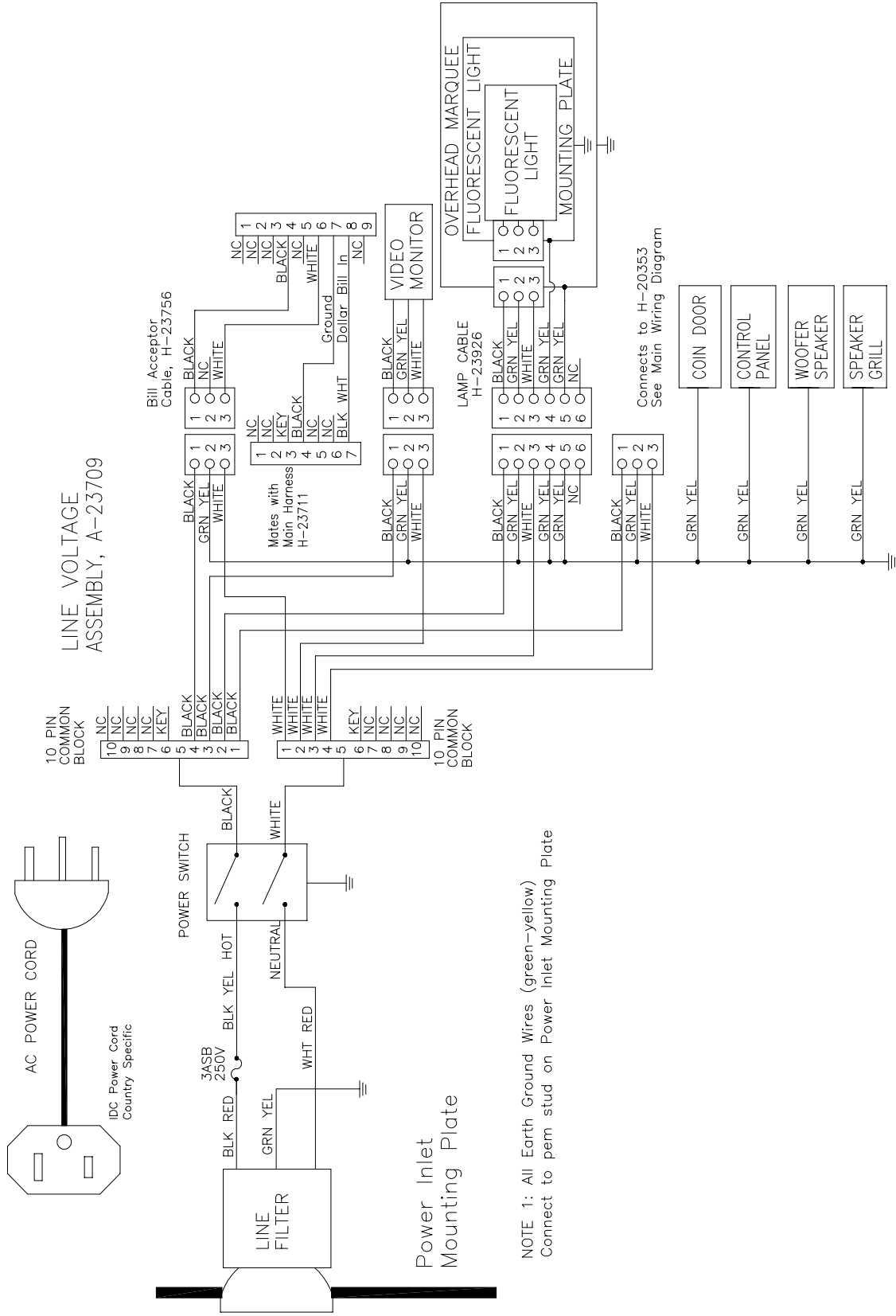


NOTICE: Information in this manual may change without notice. Midway Amusement Games, LLC reserves the right to make improvements in equipment function, design, or components as progress in engineering or manufacturing methods may warrant.

Cabinet Wiring Diagram



Power Wiring Diagram



Power Inlet Mounting Plate

NOTE 1: All Earth Ground Wires (green-yellow) Connect to pem stud on Power Inlet Mounting Plate

Connects to H-20353 See Main Wiring Diagram

CPU Board Accessory Functions

LED Functions

- LED 1 IEEE AC power
- LED 2 IEEE linkage power
- LED 3 Main +5V Power
- LED 4 Sound
- LED 5 I/O
- LED 6 Diagnostic

Jumper Functions

- J601 Sound Jumper 1
- J602 Sound Jumper 2

DIP Switch Functions (* = factory setting)

BANK 1 FUNCTIONS	SW1	SW2	SW3	SW4	SW5	SW6	SW7	SW8
Show Blood	OFF* ON							
Not Used		OFF	OFF	OFF	OFF	OFF	OFF	OFF

BANK 2 FUNCTIONS	SW1	SW2	SW3	SW4	SW5	SW6	SW7	SW8
DIP coinage	OFF							
CMOS coinage	ON*							
USA 1 Ger 1 Fr ECA 1 UK 1 ECA		OFF*	OFF*	OFF*				
USA 10 Ger 2 Fr ECA 2 UK 2 ECA		ON	OFF	OFF				
USA 14 Ger 3 Fr ECA 3 UK 3 ECA		OFF	ON	OFF				
USA 2 Ger 4 Fr ECA 4 UK 4		ON	ON	OFF				
USA DC 1 Ger 5 Fr ECA 5 UK 5		OFF	OFF	ON				
USA DC 5 Ger ECA 1 Fr ECA 6 UK 6 ECA		ON	OFF	ON				
USA DC 4 Ger ECA 2 Fr ECA 7 UK 7 ECA		OFF	ON	ON				
USA DC 2 Ger ECA 3 Fr ECA 8		ON	ON	ON				
FREE PLAY		ON	ON	ON				
USA coinage					OFF*	OFF*		
France coinage					ON	OFF		
Germany coinage					OFF	ON		
United Kingdom coinage					ON	ON		
NOT USED							OFF	OFF

Note that to set Free Play, switches 2-6 on Bank 2 must all be set to ON.