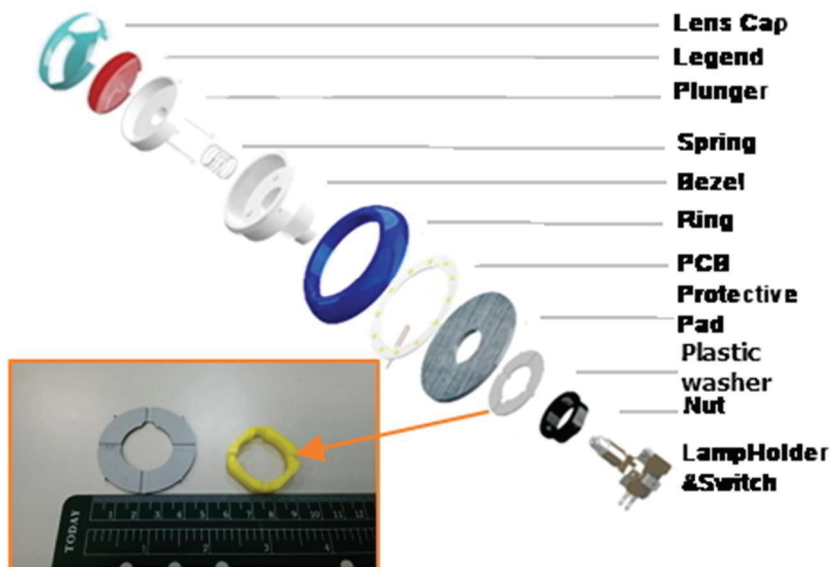




Features

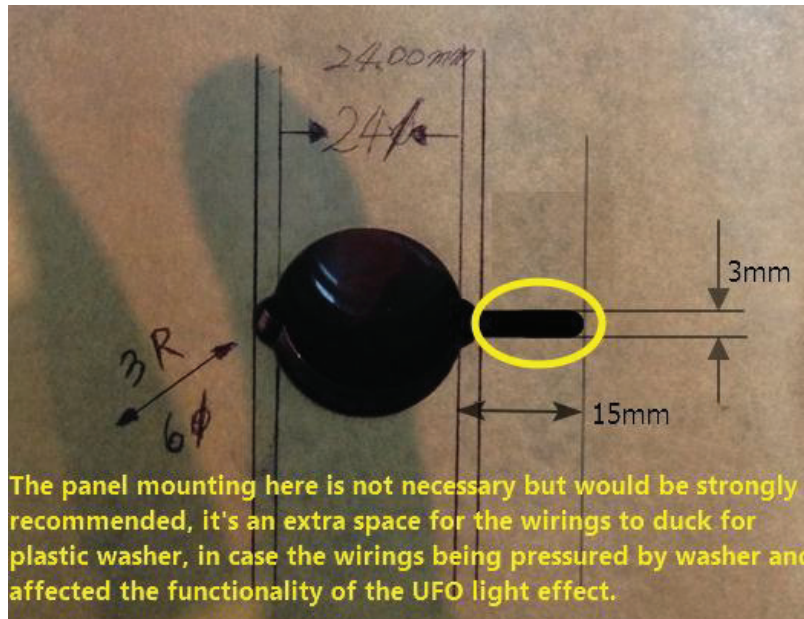
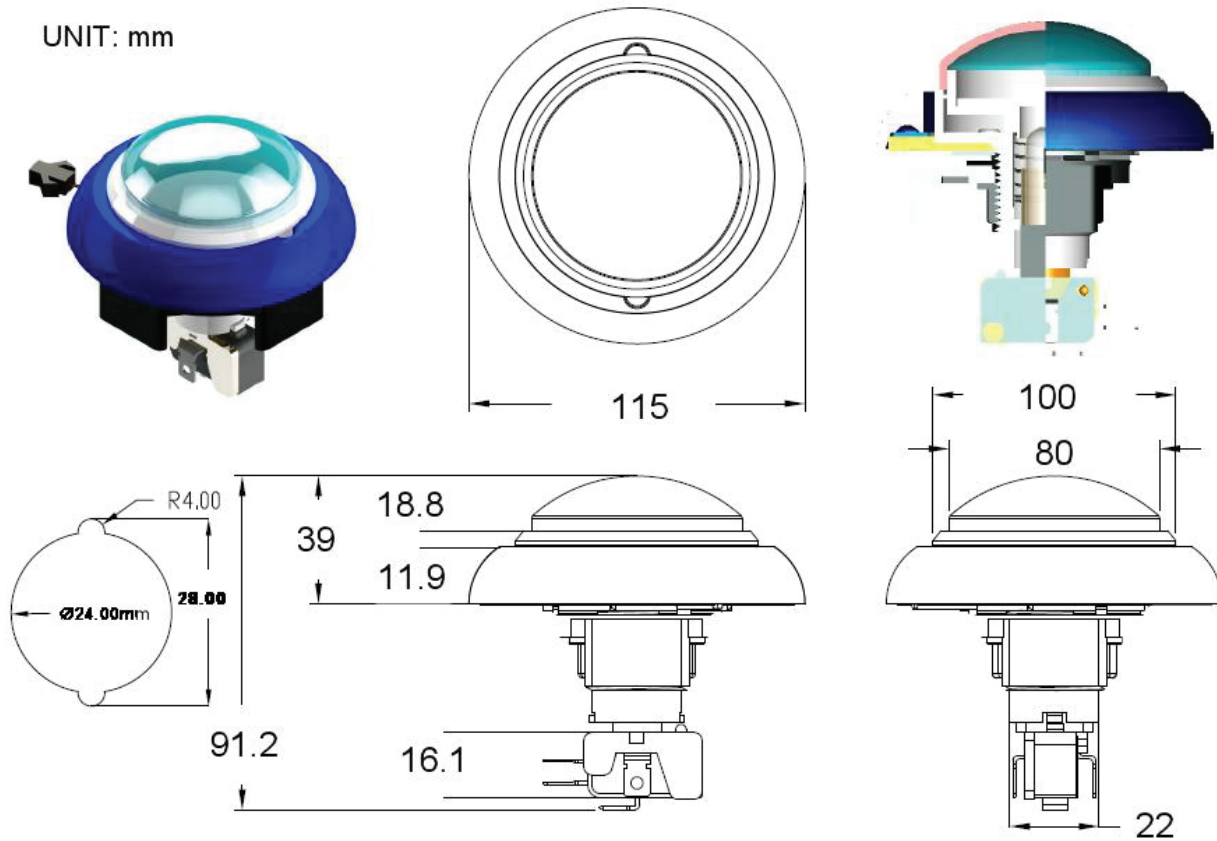
- Multi-colour type Push Button.
- Only DC 12V power input.
- 6 multi-colour for 12 LEDs on board with running control.



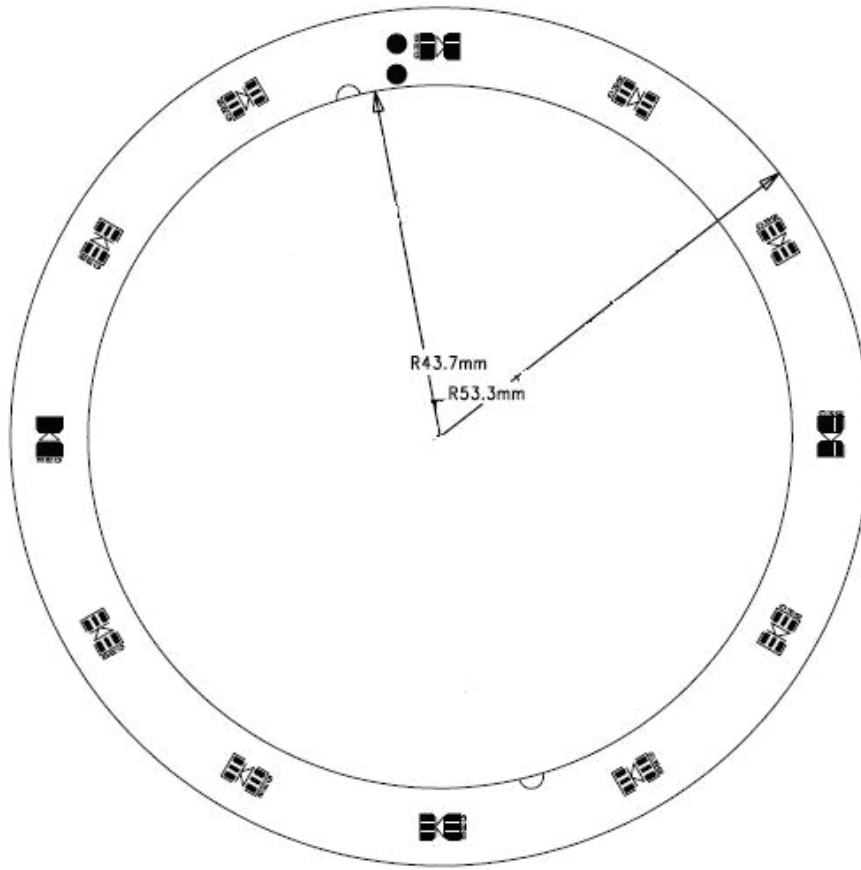
Mechanical Specification

Jumbo Round-Dome (S9209D)

UNIT: mm



1. PCB Layout :



2. LED Specification : (RGB) Multi-colour type LED.

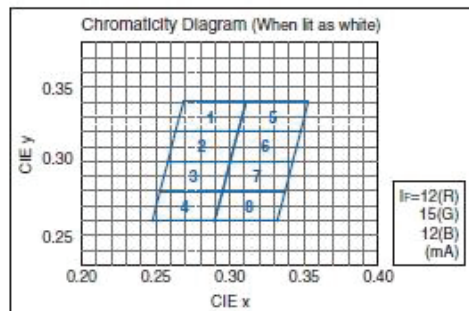
Product Specifications

Part No.	Chip Structure	Emitting Color	Absolute Maximum Ratings (Ta=25°C)						Electrical and Optical Characteristics (Ta=25°C)										
			Power Dissipation Pd(mW)	Forward Current IF(mA)	Peak Forward Current IF-P(mA)	Reverse Voltage VR(V)	Operating Temperature Topr(°C)	Storage Temperature Tstg(°C)	Forward Voltage VF(Typ.)(V)	IF(mA)	Reverse Current IR(Max.)(μA)	VR(V)	Dominant Wavelength λD			Luminous Intensity Iv			
■ SMLV56RGB1W	AlGaInP on Si	Red		50					2.1		10	5	619	624	629		450	700	
	InGaN	Green	400	40	100	5	-40 to +85	-40 to +100	3.3	20			520	527	535	20	710	1200	20
		Blue												465	470	475		220	400

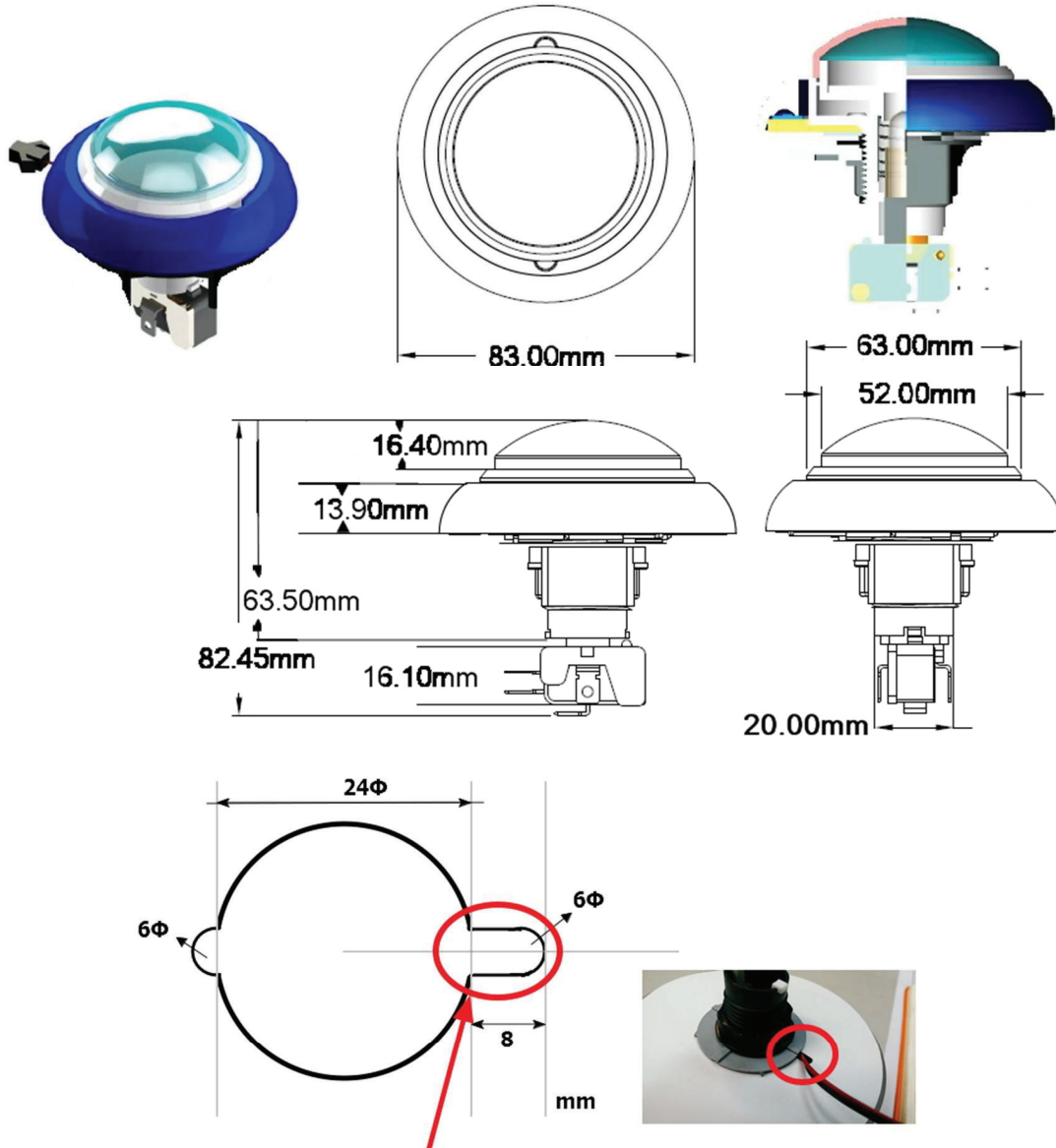
*1=Reference

Chromaticity Coordinates

Electrical and Optical Characteristics (Ta=25°C)				
Chromaticity Coordinates		Luminous Intensity Iv		
(x, y)	IF(mA)	Min. (mcd)	Typ. (mcd)	IF(mA)
(0.30, 0.30)	(R)12			(R)12
	(G)15	1100	1700	(G)15
	(B)12			(B)12

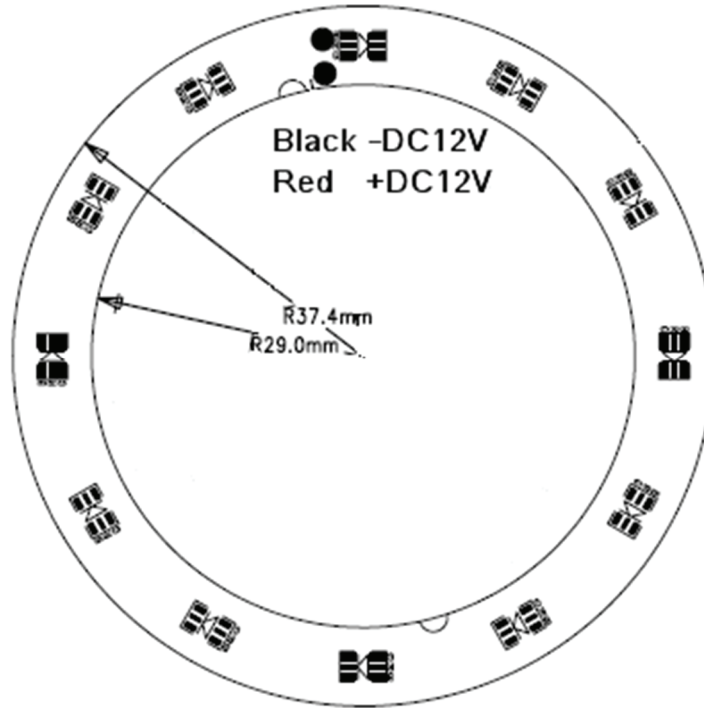


Large Round-Dome (S9205D)



The panel mounting here is not necessary but would be strongly recommended, it's an extra space for the wirings to duck for plastic washer, in case wirings being pressured by washer and affected the functionality of the UFO light effect.

1. PCB Layout :



2. LED Specification : (RGB) Multi-colour type LED.

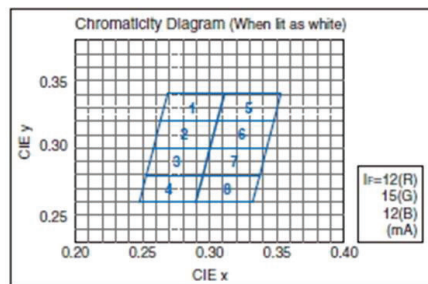
Product Specifications

Part No.	Chip Structure	Emitting Color	Absolute Maximum Ratings (Ta=25°C)					Electrical and Optical Characteristics (Ta=25°C)										
			Power Dissipation Pd(mW)	Forward Current If(mA)	Peak Forward Current I _{FP} (mA)	Reverse Voltage Vr(V)	Operating Temperature Topr(°C)	Storage Temperature Tstg(°C)	Forward Voltage Vf(Typ. (V))	Reverse Current Ir(If(mA))	Max. (μA)	Vr(V)	Dominant Wavelength λ D			Luminous Intensity Iv		
												Min. ¹⁾ (nm)	Typ. (nm)	Max. ¹⁾ (nm)	Ir(mA)	Min. (mcd)	Typ. (mcd)	Ir(mA)
■ SMLV56RGB1W	AlGaInP on Si	Red		50				2.1		10	5	619	624	629		450	700	
	InGaN	Green	400	100		5	-40 to +85	-40 to +100				520	527	535	20	710	1200	20
		Blue	40						3.3			465	470	475		220	400	

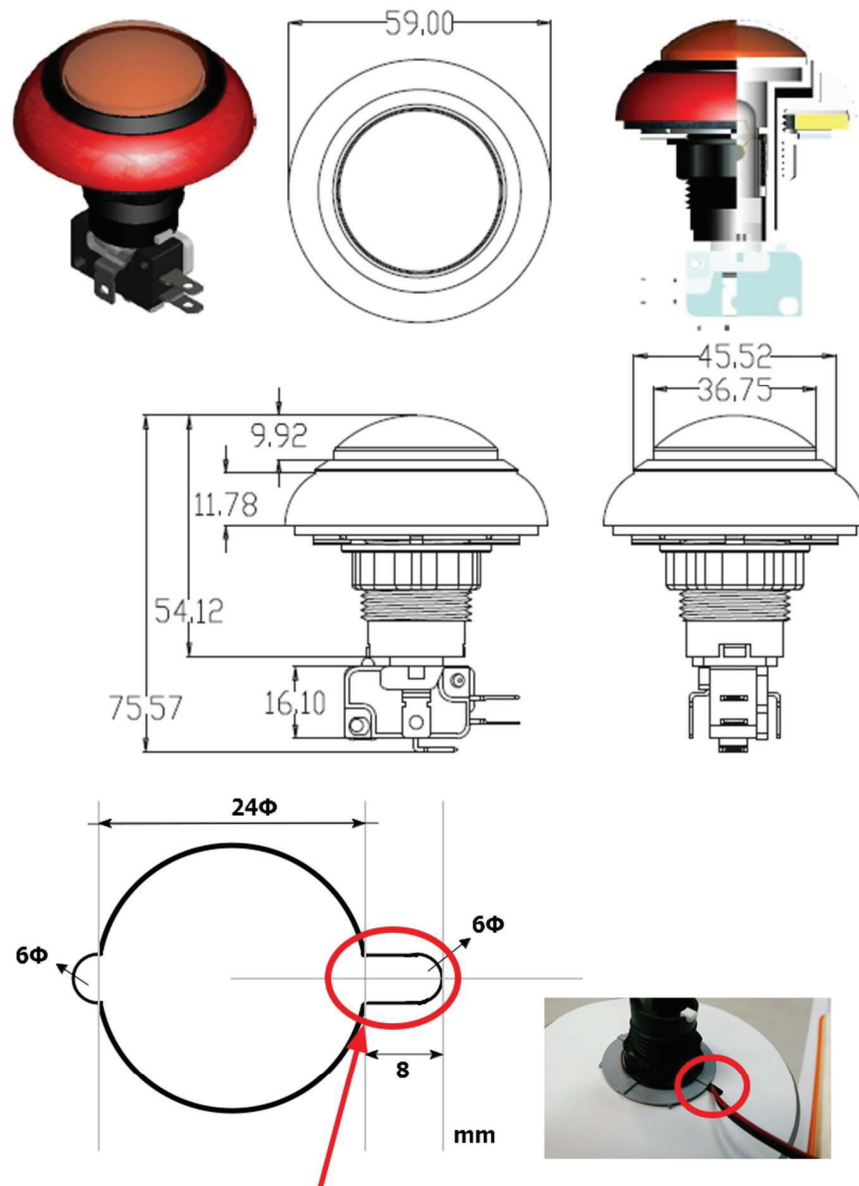
*1=Reference

Chromaticity Coordinates

Electrical and Optical Characteristics (Ta=25°C)				
Chromaticity Coordinates		Luminous Intensity Iv		
(x, y)	If(mA)	Min. (mcd)	Typ. (mcd)	Ir(mA)
(0.30, 0.30)	(R)12			(R)12
	(G)15	1100	1700	(G)15
	(B)12			(B)12

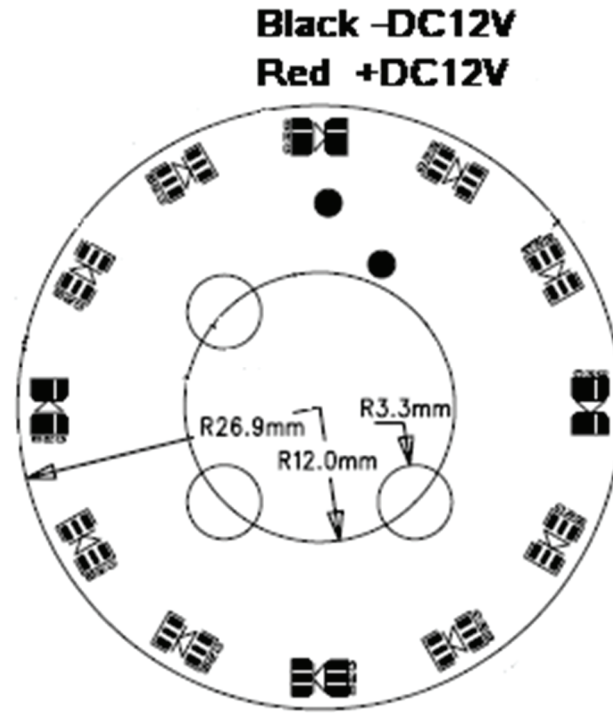


Medium Round-Dome (S9203D)



The panel mounting here is not necessary but would be strongly recommended, it's an extra space for the wirings to duck for plastic washer, in case wirings being pressured by washer and affected the functionality of the UFO light effect.

1. PCB Layout :



2. LED Specification : (RGB) Multi-colour type LED.

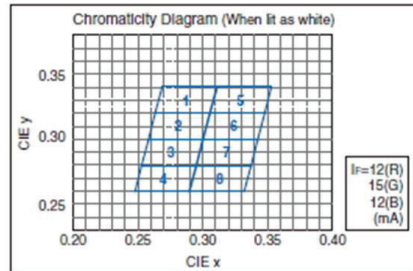
Product Specifications

Part No.	Chip Structure	Emitting Color	Absolute Maximum Ratings (Ta=25°C)					Electrical and Optical Characteristics (Ta=25°C)										
			Power Dissipation Pd(mW)	Forward Current IF(mA)	Peak Forward Current IF-P(mA)	Reverse Voltage VR(V)	Operating Temperature Topr(°C)	Storage Temperature Tstg(°C)	Forward Voltage VF(Typ.)(V)	IF(mA)	Reverse Current IR(Max.)(μA)	VR(V)	Dominant Wavelength λD(nm)			Luminous Intensity IV(mcd)		
■ SMLV56RGB1W	AlGaInP on Si	Red		50				2.1		10	5	619	624	629		450	700	
	InGaN	Green	400	40	100	5	-40 to +85	-40 to +100	3.3	20		520	527	535	20	710	1200	20
		Blue											465	470	475		220	400

* 1=Reference

Chromaticity Coordinates

Electrical and Optical Characteristics (Ta=25°C)					
Chromaticity Coordinates		Luminous Intensity IV			
(x, y)	IF(mA)	Min. (mcd)	Typ. (mcd)	IF(mA)	IF(mA)
	(R)12			(R)12	
(0.30, 0.30)	(G)15	1100	1700	(G)15	
	(B)12			(B)12	



3. LED Specification : (White) single-colour type LED.

Table of Color Rendering Index

Symbol	Description
M	CRI(min) : 60
N	CRI(min) : 65
L	CRI(min) : 70
Q	CRI(min) : 75
K	CRI(min) : 80
H	CRI(min) : 90

Note:

1. Tolerance of Color Rendering Index: ± 2

Example:

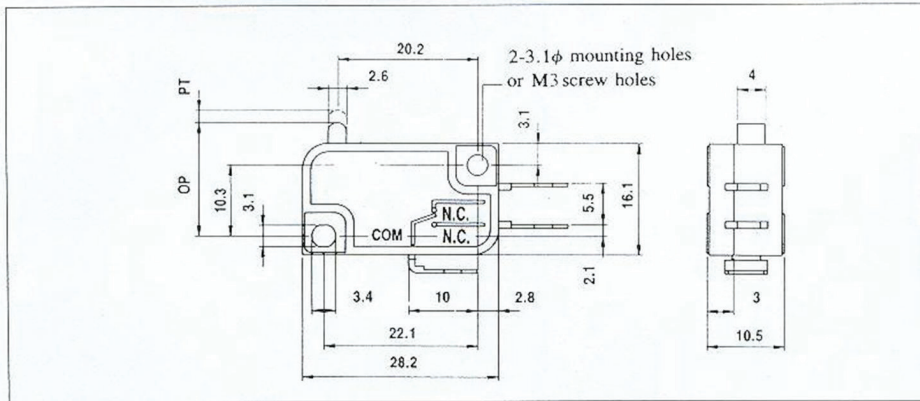
45-21/LK2C-B4556AC2CB2/2T

CRI	Min=70
CCT	4500K~5650K
IV	1800mcd~2200mcd
VF	2.9V~3.6V

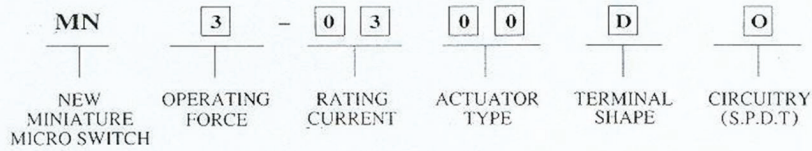


187 Switch

DIMENSION (OUTLINE DRAWING)



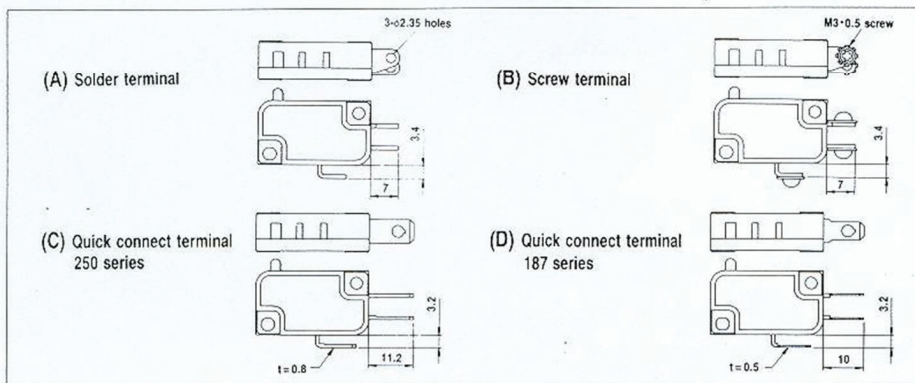
ORDERING INFORMATION



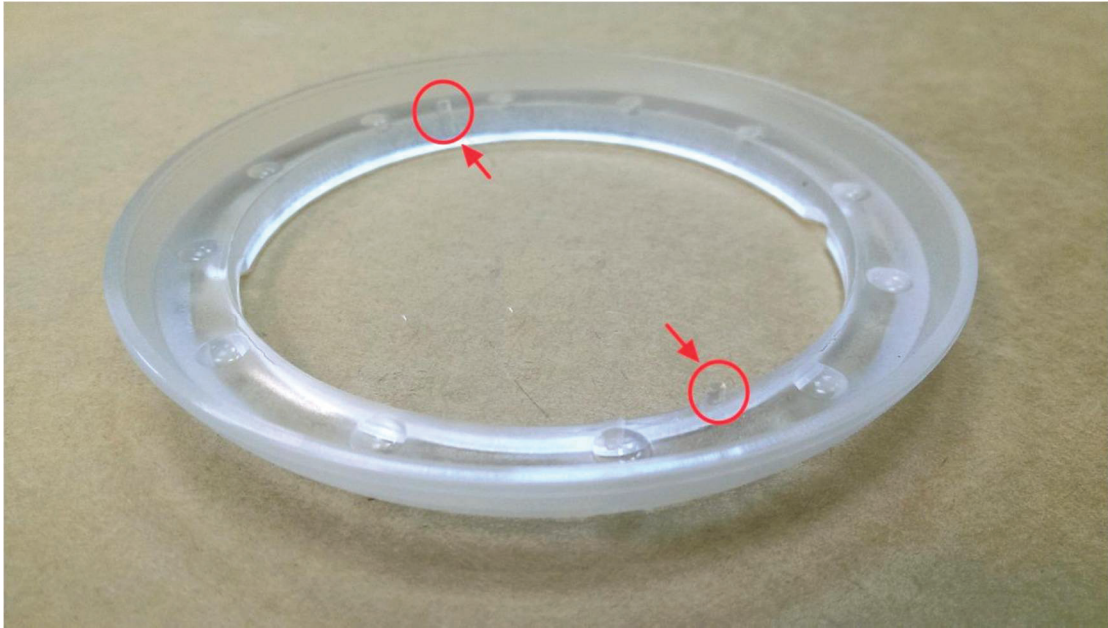
RATING

CODE	RATED CURRENT FOR RESISTIVE LOAD	RATED VOLTAGE
01	1A	125/250 (VAC)
03	3A	
05	5A	

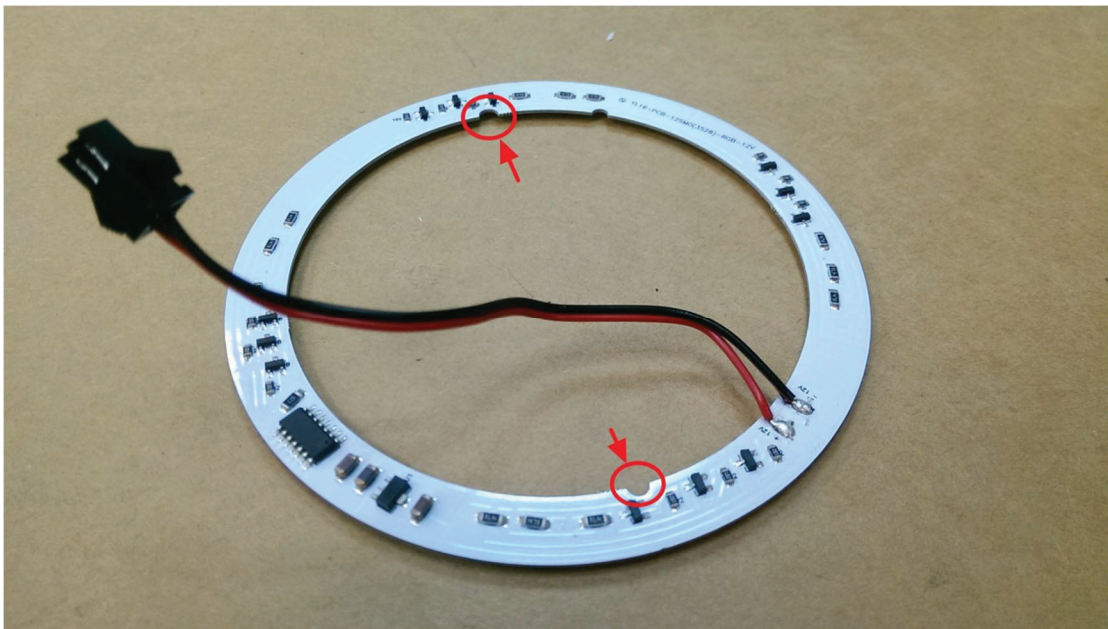
TERMINALS



Step 1

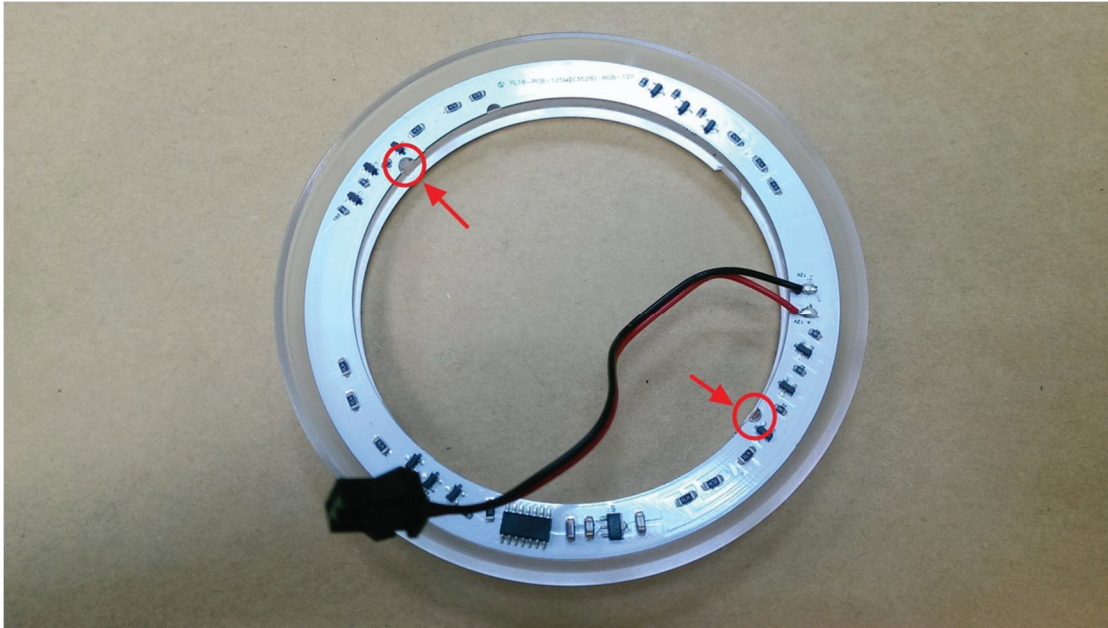


找出襯套上兩邊凸點。 Find the bump on both sides of the ring.

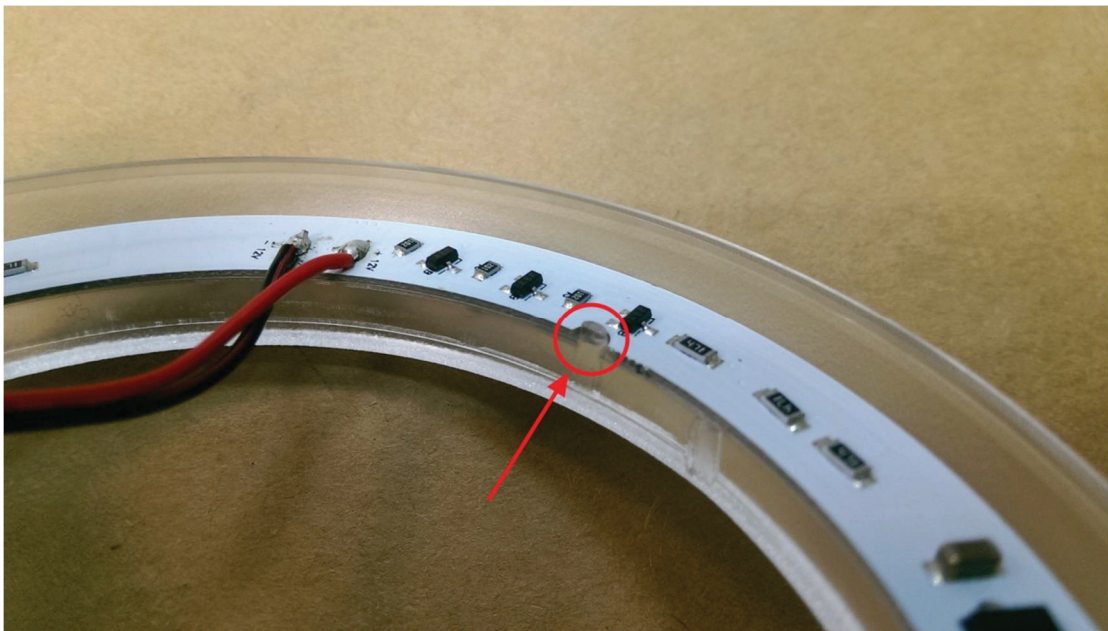


找出相對應 PCB 板上之凹點。 Identify the corresponding PCB board pits.

Step 2



將其對準，並嵌入。 Aligned & embed.



另一邊亦然。 Ditto on the other side.

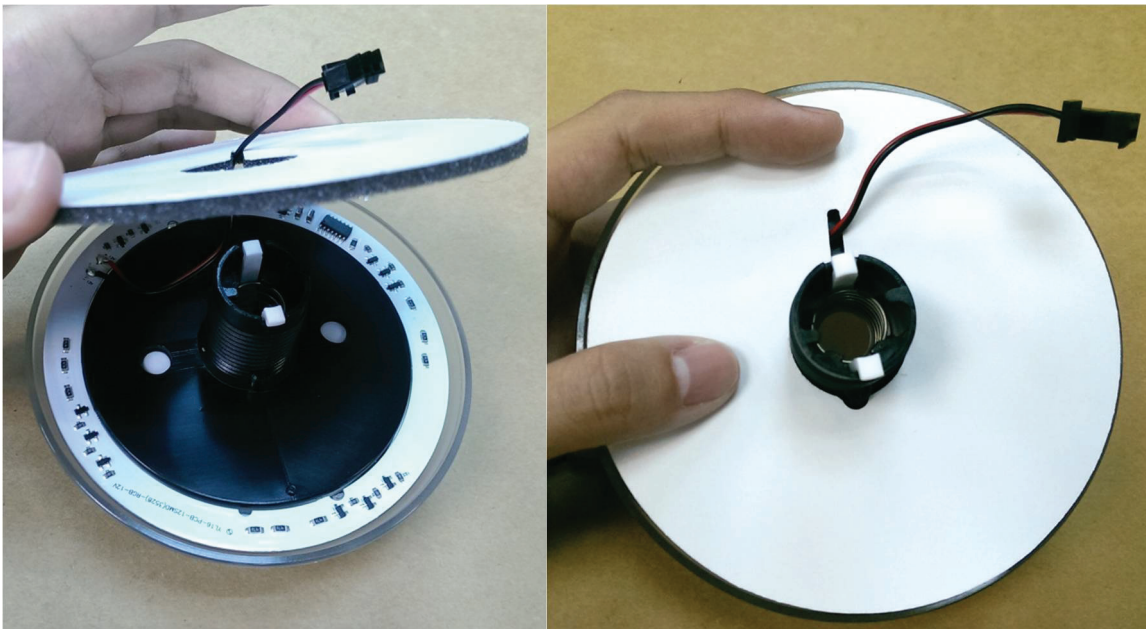
Step 3



將襯套與主體組合，結合相對應之凹點與凸點。

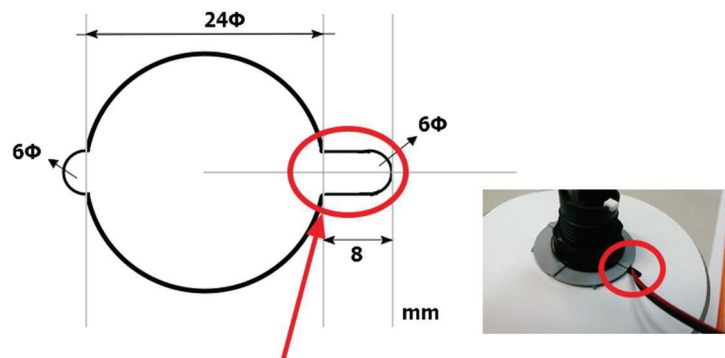
Be sure that pits and bumps are aligned together during assembly of the ring with the bezel.

Step 4



將紅黑線穿越海棉內部孔洞。Insert the red & black wirings thru the foam.

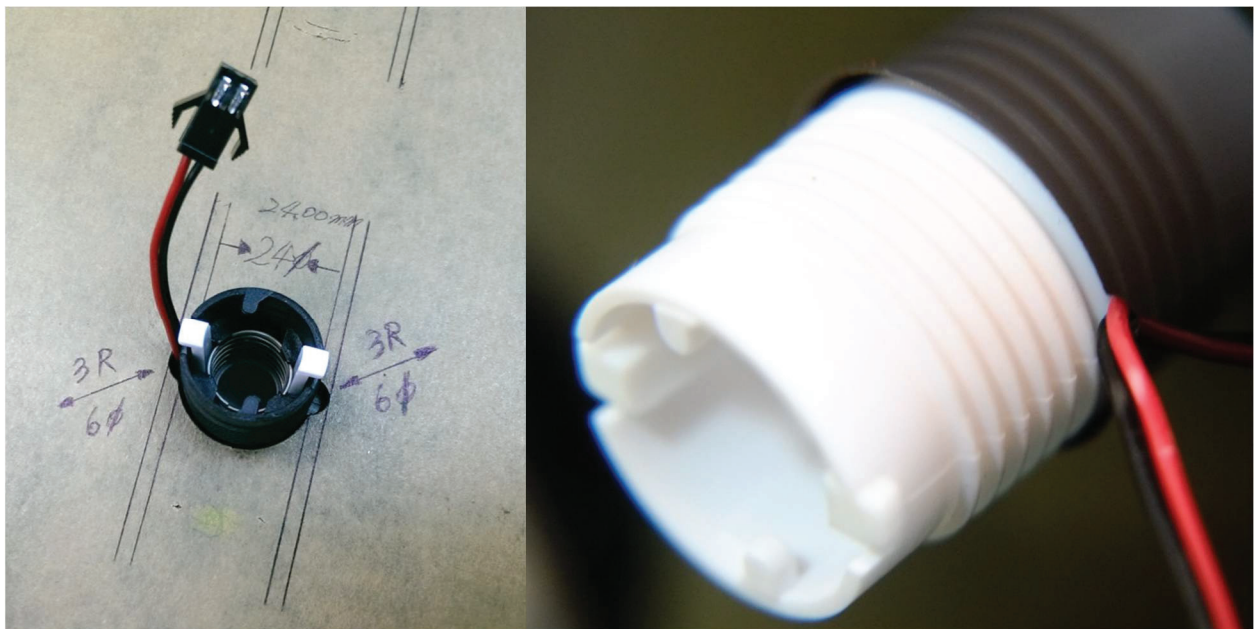
- Panel Mounting



The panel mounting here is not necessary but would be strongly recommended, it's an extra space for the wirings to duck for plastic washer, in case wirings being pressured by washer and affected the functionality of the UFO light effect.

將按鍵組裝置面板上。Mounting of push buttons on wood or metal panels.

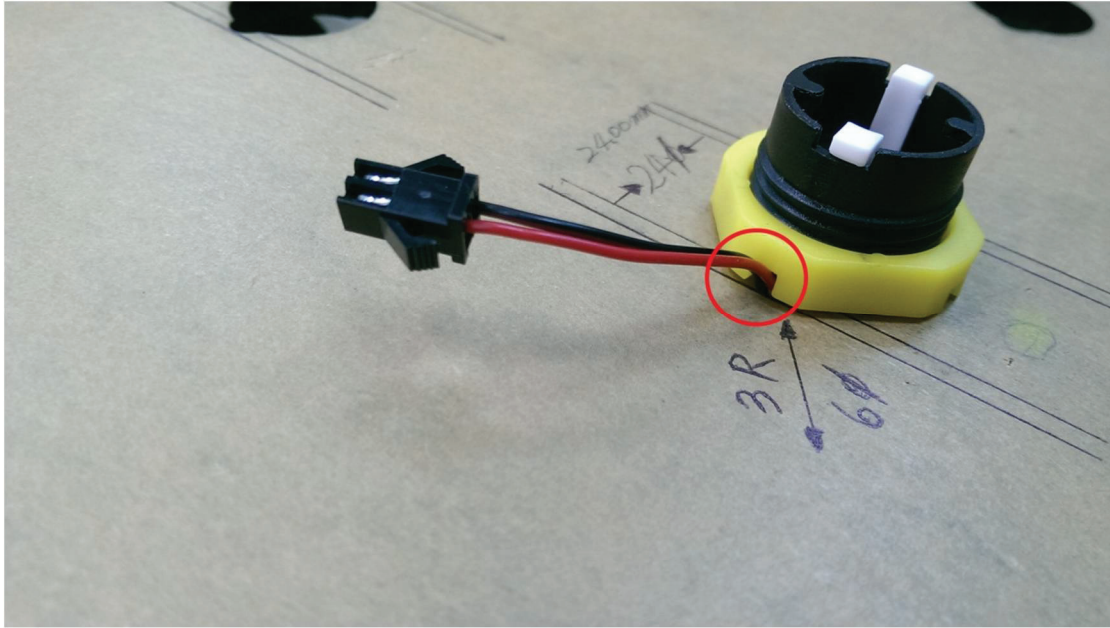
Step 5



將按鍵與紅黑線一同穿過面板。Insert the PB with the red & black wiring thru the panel.

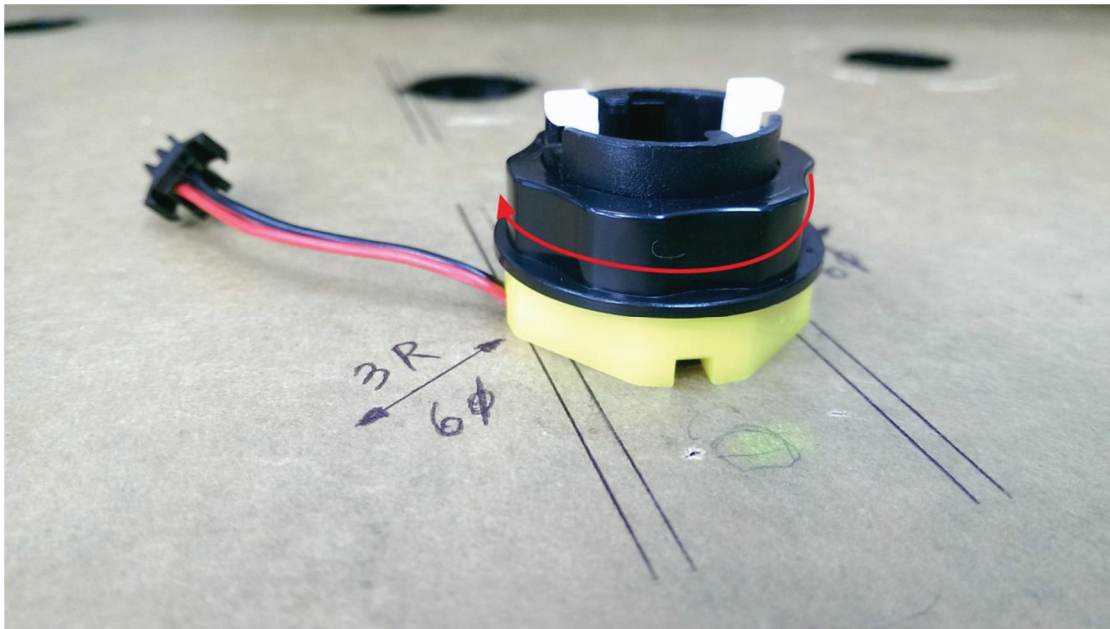
確認紅黑線穿過其洞口。Verify that the red & black wirings are fix thru the hole.

Step 6



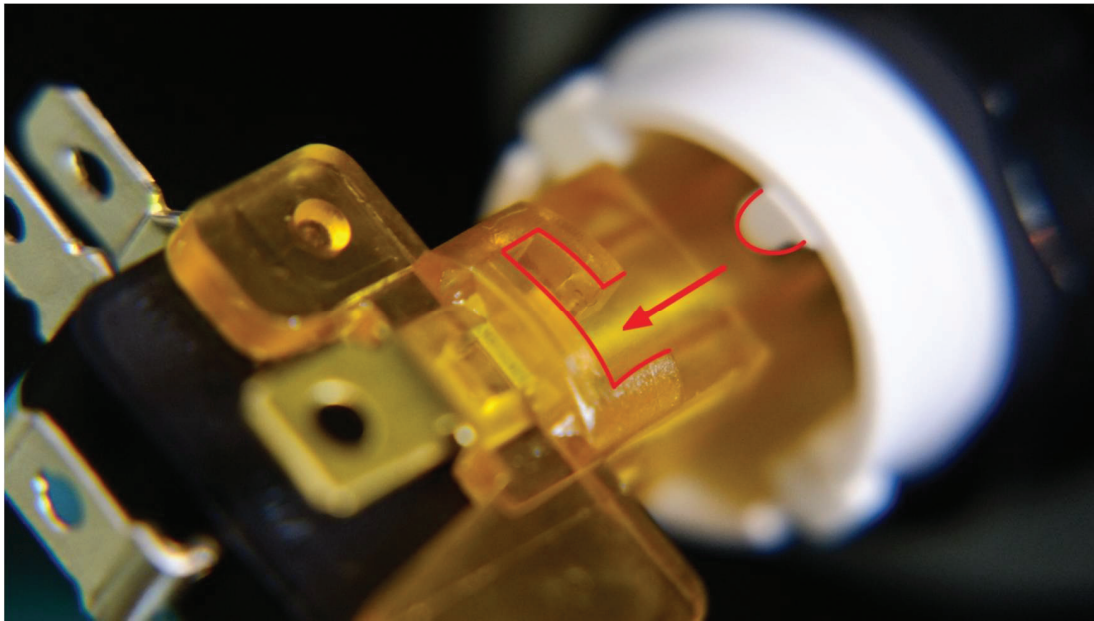
安裝塑膠環，確認紅黑線安置於塑膠環凹槽中。

Confirm that the red & black wirings are placed in the groove of the plastic washer during mounting.

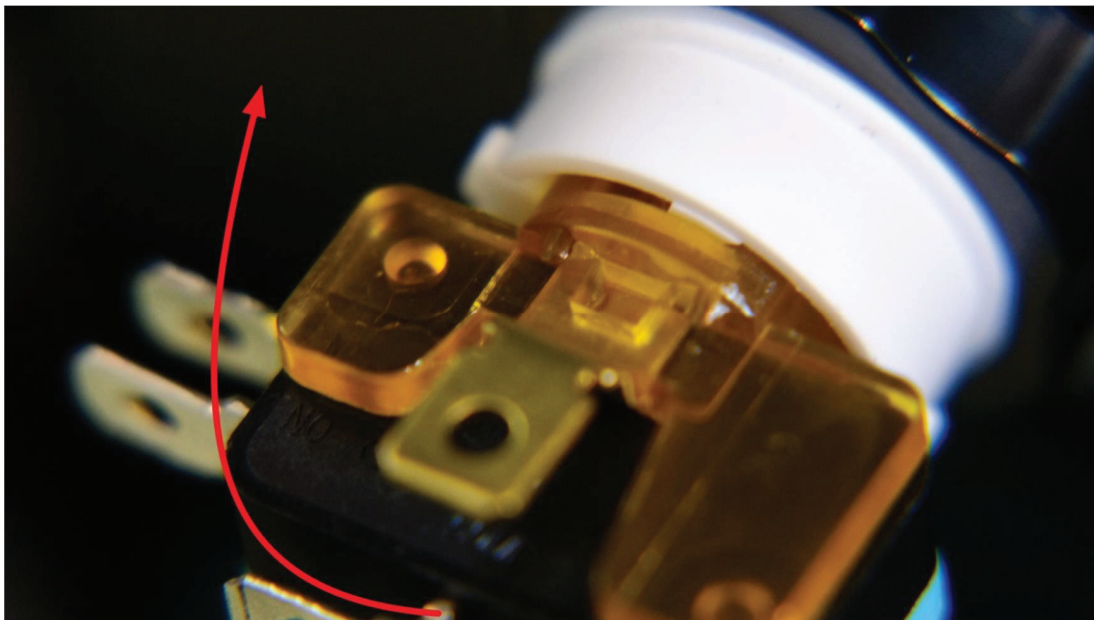


順時針旋上螺母，並確定牢固。Lock the nuts clockwise and make sure it's tight

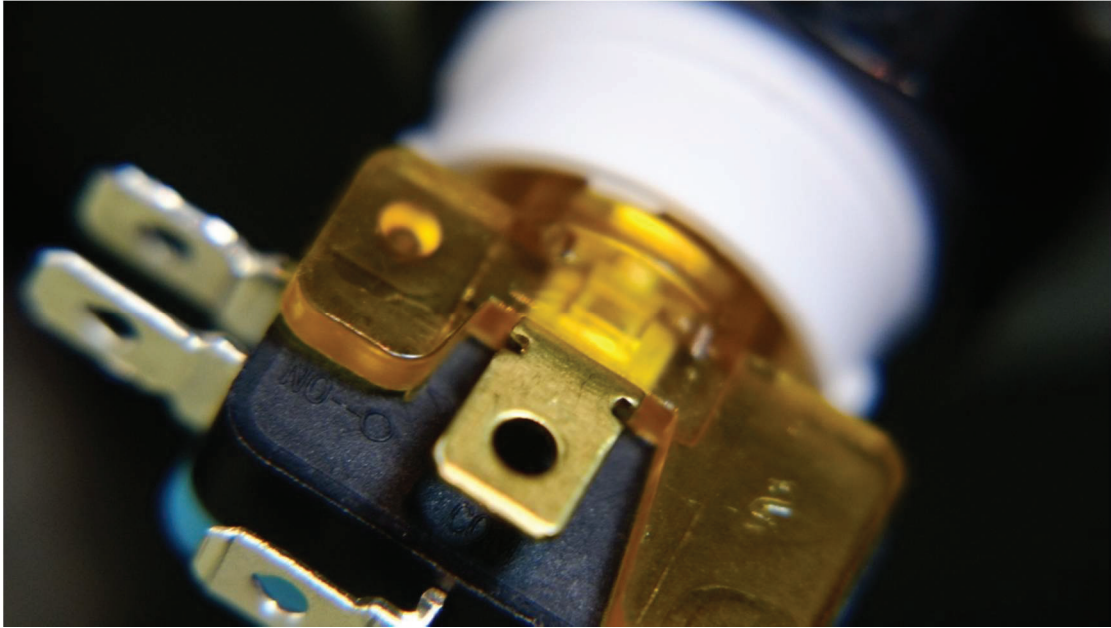
Step 7



插上燈座，將按鍵底部凸點正確導向 L 型凹槽。 Plug in the lampholder, align the PB lower portion bump point with the L shape groove.



以順時針方向旋緊。 Tightened in clockwise direction.



完成。Assembly Completed.

