



PYRAMID
TECHNOLOGIES, INC.

www.pyramidacceptors.com

CURVE
By PTI



Mechanical anti-stringing design
Bills exit from bottom of acceptor
Simple Configuration and Updates
Dual-stage optical anti-stringing
High security against counterfeits
Simple on-board diagnostics
Accepts bills up to 85mm wide
Automatic self-calibration



Various Bezel Options



Pyramid Technologies, Inc.
1718 North Quail Mesa, AZ 85205 USA
Phone: 480-507-0088
E-mail: sales@pyramidacceptors.com



MODEL NUMBER GUIDE

Bezel Type

- 1- Euro Style Bezel (Notes up to 85 mm in width)
- 2- USA Style Bezel (Notes up to 66 mm in width)
- 3- USA Style Bezel (Notes up to 72 mm in width)
- 4- USA Style Bezel (Notes up to 74 mm in width)
- 5- USA Style Bezel (Notes up to 82 mm in width)
- 6- USA Wide Bezel (Notes up to 85 mm in width)
- 7- Euro with 66 mm Inserts.(Notes up to 66 mm)
- 8- Euro with 72 mm Inserts (Notes up to 72 mm)
- 9- Euro with 74 mm Inserts (Notes up to 74 mm)

Power Supply/Communication Options

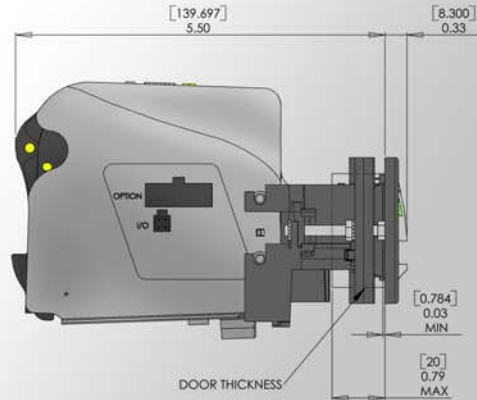
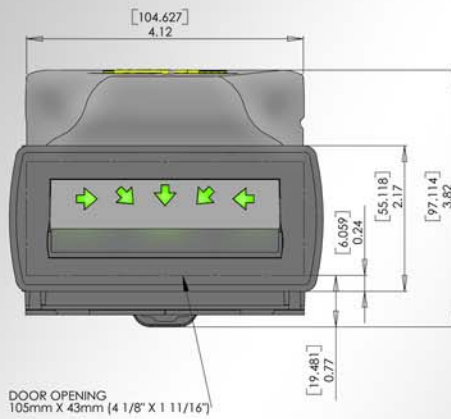
- 1- 12 VDC Pulse Mode only (4-pin harness included)
- 2- 12 VDC Parallel/Parallel Binary & CC-Talk (16-pin harness included)
- 3- MDB Multi-Drop Bus (MDB harness included)
- 4- 12 VDC USB Operation (Power / USB harness included)

C - **X** - **X** - **XXX**

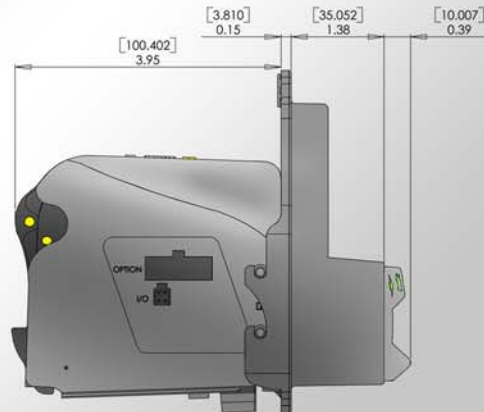
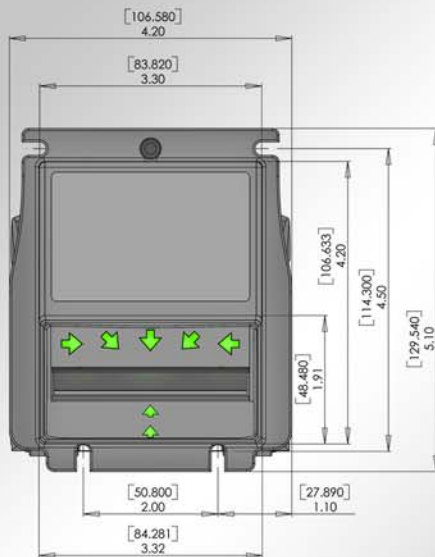
Country Code

ISO three (3) digit code
 Example EUR = Euro notes,
 USA = USA notes

EURO-STYLE
BEZEL



USA-STYLE
BEZEL



PYRAMID
TECHNOLOGIES, INC.