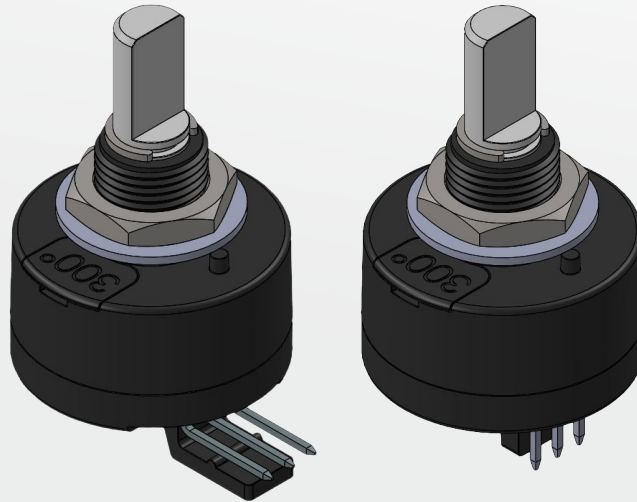


# Digital Potentiometer



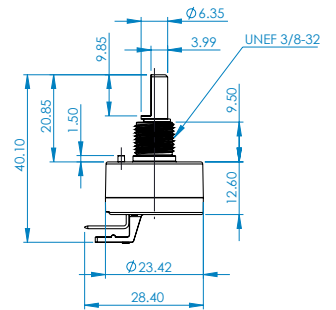
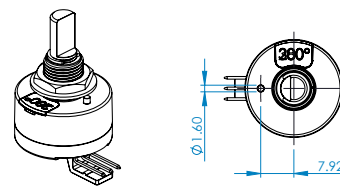
A digital alternate to traditional resistive styles of potentiometer products, programmed according to customer requirement, at time of manufacture.

## Key Features

- Greatly increased operational life due to non-contact design, as compared to traditional resistive style products
- Pre-selected for Clockwise or Counter-Clockwise output voltage direction
- Option for vertical or horizontal connectors
- Output voltage 0v to +5vDC over the range of programmed angle
- A harness is provided, providing customers with options on connection method
- Anti-rotation pin for panel mounting
- 3/8-32 thread with mounting nut and washer provided
- Operating voltage 5vDC
- Product life > 0.5 million operations

## Technical Drawings

DIGITAL POTENTIOMETER  
RIGHT ANGLE CONNECTOR



DIGITAL POTENTIOMETER  
STRAIGHT CONNECTOR

