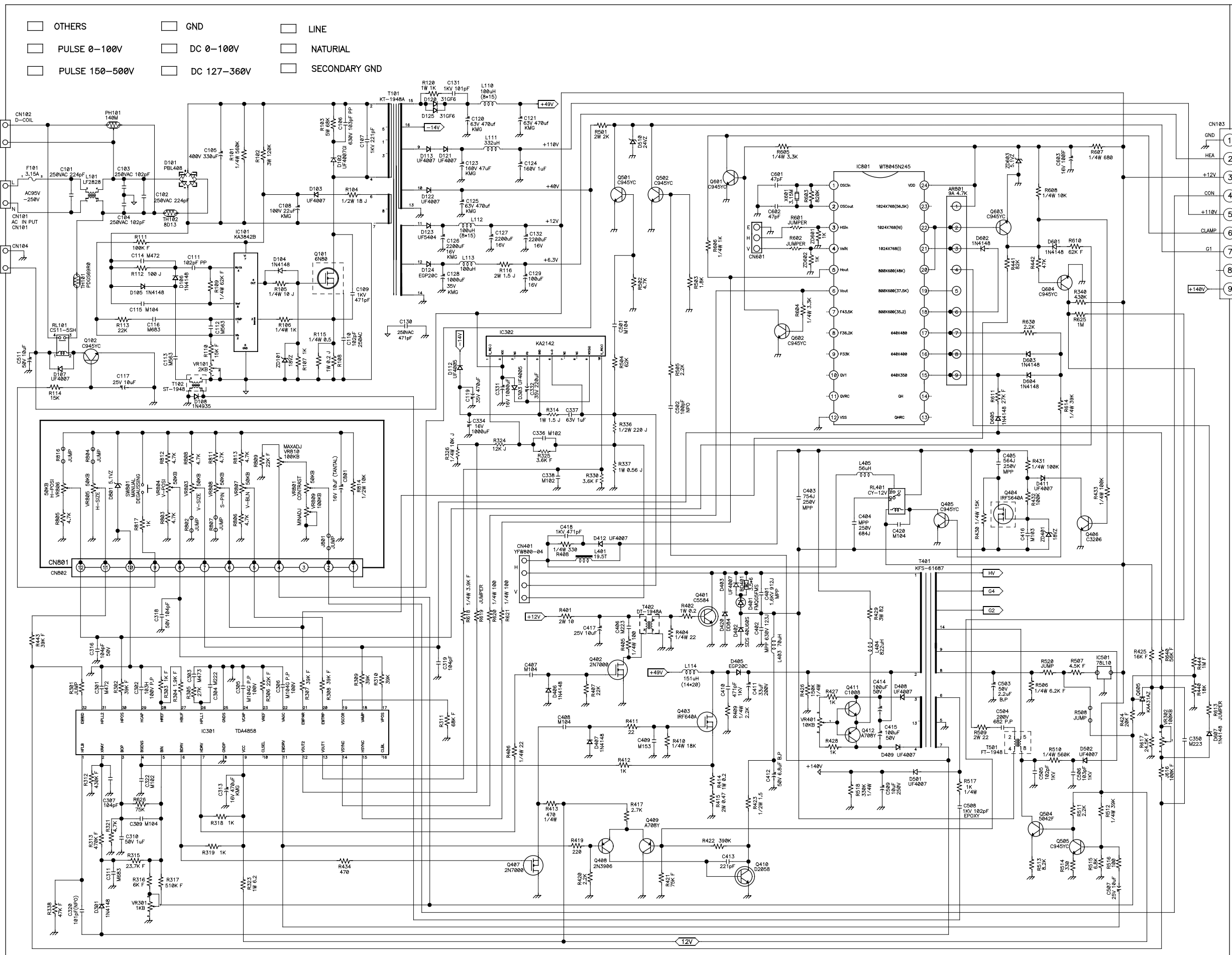
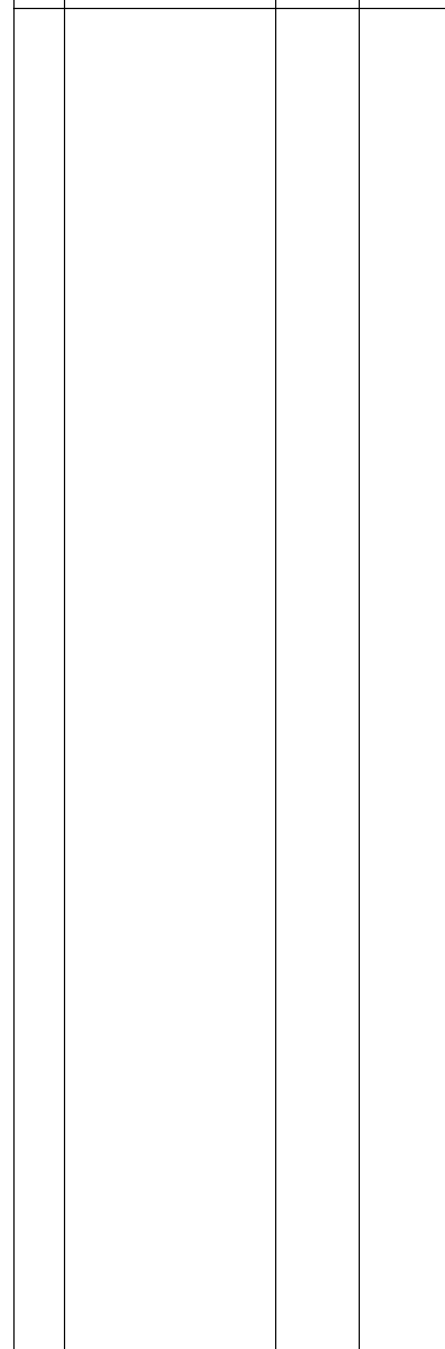


KTxx48 Bally Main Board



REV	CONTENTS	ECO. NO.	DATE
1	T401 : KT-194B -> KT-194BA D121 : BA159 -> UF4007 R640 : 1/6W 27K F -> 56K F	0108008	2001.08.20
2	C409 : X -> 100V 153pF D123 : BA159 -> UF5404	0202002	2002.02.05
3	D102,D501,D502 : BA159 -> UF4007	0202007	2002.02.23
4	C107 : 1KV 471pF -> 1KV 221pF	0202010	2002.02.24
5	C412 : 30V 10uF(CSCON) -> 50V 6.8uF B.P	0207006	2002.07.18
6	R504 : 1/6W 47K J -> 62K J	0212005	2002.12.27
7			



KORTEK CORPORATION			
MODEL NAME		KT-1948	
APPROVALS		PCB NAME	
DRAWN		1. MAIN	○
DESIGNED		2. SOCKET	
CHECKED		3. SUB	
APPROVED		DATE	02.12.28
DWG.NO.	KT-1948N-DC	REV. NO.	6

KTxx48 Bally Neck Board

