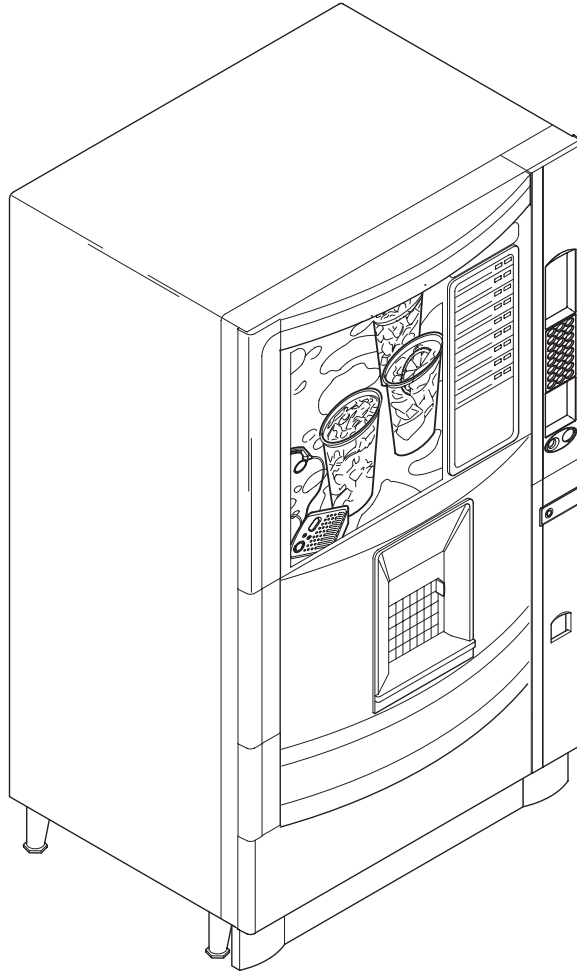


3280033

Model 327, 328

Cold Drink Center



PARTS MANUAL

CRANE MERCHANDISING SYSTEMS A Crane Co. Company
NATIONAL VENDORS

12955 Enterprise Way
Bridgeton, Missouri 63044-1200
(314) 298-3500 / (800) 621-7278
www.CraneMS.com

Copyright© 8-03

3280033

This machine has been engineered to our own rigid safety and performance standards. It has been designed to comply with sanitation and health guidelines recommended by the Automatic Merchandising Health-Industry Council (AMHIC) and it conforms with all other NAMA safety recommendations.

This machine has been manufactured in accordance with the safety standards of both Underwriter's Laboratories and the Canadian Standards Association. To maintain this degree of safety and to continue to achieve the level of performance built into this machine, it is important that installation and maintenance be performed so as to not alter the original construction or wiring and that replacement parts are as specified in the **Parts Manual**. Your investment in this equipment will be protected by using the **Operator's Guide** and this **Parts Manual** in your operation, service and maintenance work. By following prescribed procedures, machine performance and safety will be preserved.

List of Figures

Section A: Exterior of Door	1
FIGURE 1: 328 Merchandiser	1
FIGURE 2: Trim - Millennium Style - Part 1 of 3	2
FIGURE 3: Trim - Millennium Style - Part 2 of 3	4
FIGURE 4: Trim - Millennium Style - Part 3 of 3	6
FIGURE 5: Trim - Standard Style	8
FIGURE 6: Door Assembly - Exterior	12
FIGURE 7: Display Assembly - Part 1 of 2	14
FIGURE 8: Display Assembly - Part 2 of 2	16
Section B: Interior of Door	18
FIGURE 9: Door Assembly - Interior	18
FIGURE 10: Lock Bar Assembly - Standard Style	20
FIGURE 11: Lock Bar Assembly - Millennium Style	22
FIGURE 12: Door Lock and Handle Assembly - Standard Style	24
FIGURE 13: Door Lock and Handle Assembly - Millennium Style	26
FIGURE 14: Fluorescent Lamp Assembly & Ballast	28
FIGURE 15: Service Light Assembly	30
FIGURE 16: Service Light & Bracket Assembly (UK/France/Germany)	32
Section C: Miscellaneous Cabinet	34
FIGURE 17: Common Cabinet - Rear	34
FIGURE 18: Base Plate Assemblies	36
FIGURE 19: Leg, Leveler, and Leg and Hinge Assemblies	38
FIGURE 20: Door Hinge Assemblies	40
FIGURE 21: Interlock Switch and Bracket	42
FIGURE 22: Capacitor And Bracket Assembly	44
Section D: Cup Station	46
FIGURE 23: Cup Station Assembly	46
FIGURE 24: Miscellaneous Cup Station Components	48
FIGURE 25: Delivery Door Assembly	50
FIGURE 26: Center Plate Assemblies	52
FIGURE 27: Mechanism And Canister Assembly - Short	54
FIGURE 28: Turret and Canister Assembly - Short	56
FIGURE 29: Mechanism and Canister Assembly - Large	58
FIGURE 30: Turret And Canister Assembly - Large	60
FIGURE 31: Mechanism Assembly	62
FIGURE 32: Cup Mechanism Mounting Bracket Assembly	64
FIGURE 33: Cup Ring Assembly	66

List of Figures

Section E: Syrup Pump and Carbonator	68
FIGURE 34: Syrup Pump Assembly	68
FIGURE 35: Syrup Pump CO2 Regulator Assembly	70
FIGURE 36: Gas Assist Syrup Pump and Bracket Assembly	72
FIGURE 37: Bag-In-Box Connectors	74
FIGURE 38: Syrup Tank Containers	76
FIGURE 39: Diaphragm Syrup Pump and Bracket Assembly	78
FIGURE 40: Diaphragm Syrup Pump	80
FIGURE 41: Carbonator Final Assembly	86
FIGURE 42: Component Covers	88
Section F: Water Bath Assembly	90
FIGURE 43: Water Bath Assembly - Part 1 of 2	90
FIGURE 44: Water Bath Assembly - Part 2 of 2	92
FIGURE 45: Agitator Assembly - Water Bath	94
FIGURE 46: Water Valve Assembly - Non-Carbonated	96
FIGURE 47: Hydrolife Water Filter	98
FIGURE 48: Everpure Water Filter	100
FIGURE 49: Overflow Switch Assembly	102
Section G: Icemaker Assembly	104
FIGURE 50: Icemaker Assembly	104
FIGURE 51: Icemaker Components	106
FIGURE 52: Hopper and Agitator Assemblies	108
FIGURE 53: Icelevel Components	110
FIGURE 54: Icemaker - Miscellaneous Parts	112
FIGURE 55: Icemaker Motor	114
FIGURE 56: Water Feeder Assembly - USA/Germany	116
FIGURE 57: Water Feeder Assembly - UK/France	118
FIGURE 58: Icemaker Condenser and Compressor	120
FIGURE 59: Pump and Valve Assembly - Coolsan	122
Section H: Monetary and Power	124
FIGURE 60: Monetary Panel Assembly - Part 1 of 2	124
FIGURE 61: Monetary Panel Assembly - Part 2 of 2	126
FIGURE 62: Face Plate Assembly	128
FIGURE 62A: Monetary Inserts - Upper Position.....	130
FIGURE 62B: Monetary Inserts - Lower Position.....	131
FIGURE 63: Coin Receptacle Assemblies	132
FIGURE 64: Card Reader and Bill Validator Combinations	134
FIGURE 65: Power Panel and PCB Assembly	138
FIGURE 66: Power Panel Assembly -115 V (U.S.)	140
FIGURE 67: Power Panel Assembly - UK	142
FIGURE 68: Power Panel Assembly - 230 V - Fr/Gr (France/Germany)	144
FIGURE 69: Cabling Block Diagram (115 V)	146
FIGURE 70: Cabling Block Diagram (230 V)	148

List of Tables

Section A: Exterior of Door	1
TABLE 1: 328 Merchandiser	1
TABLE 2: Trim - Millennia Style - Part 1 of 3	3
TABLE 3: Trim - Millennia Style - Part 2 of 3	5
TABLE 4: Trim - Millennia Style - Part 3 of 3	7
TABLE 5: Trim - Standard Style	9
TABLE 5A: Top Trim Panels - Standard Style	10
TABLE 5B: Right Hand Trim Panels - Standard Style	10
TABLE 5C: Right Center Trim Panels - Standard Style	10
TABLE 5D: Bottom Trim Panels - Standard Style	11
TABLE 5E: Left Hand Trim Panels - Standard Style	11
TABLE 5F: Left Center Trim Panels - Standard Style	11
TABLE 6: Door Assembly - Exterior	13
TABLE 7: Display Assembly - Part 1 of 2	15
TABLE 8: Display Assembly - Part 2 of 2	17
Section B: Interior of Door	18
TABLE 9: Door Assembly - Interior	19
TABLE 10: Lock Bar Assembly - Standard Style	21
TABLE 11: Lock Bar Assembly - Millennia Style	23
TABLE 12: Door Lock and Handle Assembly - Standard Style	25
TABLE 13: Door Lock and Handle Assembly - Millennia Style	27
TABLE 14: Fluorescent Lamp Assembly & Ballast	29
TABLE 14A: Backlight Assembly (Not Shown)	29
TABLE 15: Service Light Assembly	31
TABLE 16: Service Light & Bracket Assembly (UK/France/Germany)	33
Section C: Miscellaneous Cabinet	34
TABLE 17: Common Cabinet - Rear	35
TABLE 18: Base Plate Assemblies	37
TABLE 19: Leg, Leveler, and Leg and Hinge Assemblies	39
TABLE 20: Door Hinge Assemblies	41
TABLE 21: Interlock Switch and Bracket	43
TABLE 22: Capacitor And Bracket Assembly	45
Section D: Cup Station	46
TABLE 23: Cup Station Assembly	47
TABLE 24: Miscellaneous Cup Station Components	49
TABLE 25: Delivery Door Assembly	51
TABLE 26A: Center Plate Assembly - Common	53
TABLE 26B: Center Plate Assembly - Millennia	53
TABLE 27: Mechanism And Canister Assembly - Short	55
TABLE 28: Turret and Canister Assembly - Short	57
TABLE 29: Mechanism and Canister Assembly - Large	59
TABLE 30: Turret And Canister Assembly - Large	61
TABLE 31: Mechanism Assembly	63
TABLE 32: Cup Mechanism Mounting Bracket Assembly	65
TABLE 33: Cup Ring Assembly	67

List of Tables

Section E: Syrup Pump and Carbonator	68
TABLE 34: Syrup Pump Assembly	69
TABLE 35: Syrup Pump CO2 Regulator Assembly	71
TABLE 36: Gas Assist Syrup Pump and Bracket Assembly	73
TABLE 37: Bag-In-Box Connectors	75
TABLE 38: Syrup Tank Containers	77
TABLE 39: Diaphragm Syrup Pump and Bracket Assembly	79
TABLE 40: Diaphragm Syrup Pump	81
TABLE 40A: Tubing Usage - Model 328	84
TABLE 40B: Tubing Usage - Model 327	84
TABLE 40C: Tubing Usage - All Models and Countries	85
TABLE 41: Carbonator Final Assembly	87
TABLE 42: Component Covers	89
Section F: Water Bath Assembly	90
TABLE 43: Water Bath Assembly - Part 1 of 2	91
TABLE 44: Water Bath Assembly - Part 2 of 2	93
TABLE 45: Agitator Assembly - Water Bath	95
TABLE 45A: Water Bath Refrigeration Components	95
TABLE 46: Water Valve Assembly - Non-Carbonated	97
TABLE 47: Hydrolife Water Filter	99
TABLE 48: Everpure Water Filter	101
TABLE 49: Overflow Switch Assembly	103
Section G: Icemaker Assembly	104
TABLE 50: Icemaker Assembly	105
TABLE 51: Icemaker Components	107
TABLE 52: Hopper and Agitator Assemblies	109
TABLE 53: Icelevel Components	111
TABLE 54: Icemaker - Miscellaneous Parts	113
TABLE 55: Icemaker Motor	115
TABLE 56: Water Feeder Assembly - USA/Germany	117
TABLE 57: Water Feeder ASsembly - UK/France	119
TABLE 58: Icemaker Condenser and Compressor	121
TABLE 59: Pump and Valve Assembly - Coolsan	123

List of Tables

Section H: Monetary and Power	124
TABLE 60: Monetary Panel Assembly - Part 1 of 2	125
TABLE 61: Monetary Panel Assembly - Part 2 of 2	127
TABLE 62: Face Plate Assembly	129
TABLE 63: Coin Receptacle Assemblies	133
TABLE 64: Card Reader and Bill Validator Combinations	135
TABLE 64A: Coin Mechanism Options	136
TABLE 64B: Bill Validator Options	137
TABLE 64C: Card Reader Options	137
TABLE 65: Power Panel and PCB Assembly	139
TABLE 66: Power Panel Assembly - 115V (U.S.)	141
TABLE 67: Power Panel Assembly - UK	143
TABLE 68: Power Panel Assembly - 230 V - Fr/Gr (France/Germany)	145
TABLE 69: Cabling Block Diagram (115 V)	147
TABLE 70: Cabling Block Diagram (230 V)	149
TABLE 71A: Bag Assembly 15: B3280001 (U.S.)	150
TABLE 71B: Bag Assembly 1: B3280007 (U.K.)	151
TABLE 71C: Bag Assembly 6: B3280008 (France)	152
TABLE 71D: Bag Assembly 7: B3280005 (Germany)	153
TABLE 72: Supplemental Kits for the Cold Drink Center	154

TABLE 1: 328 MERCHANDISER

INDEX	PART NUMBER	DESCRIPTION	QTY
1	--	CABINET ASSEMBLY (SEE TABLE 17 FOR DETAILS)	1
2	--	DOOR ASSEMBLY (SEE TABLE 6 FOR DETAILS)	1
3	--	BASE PLATE ASSEMBLY (SEE TABLE 18 FOR DETAILS)	1

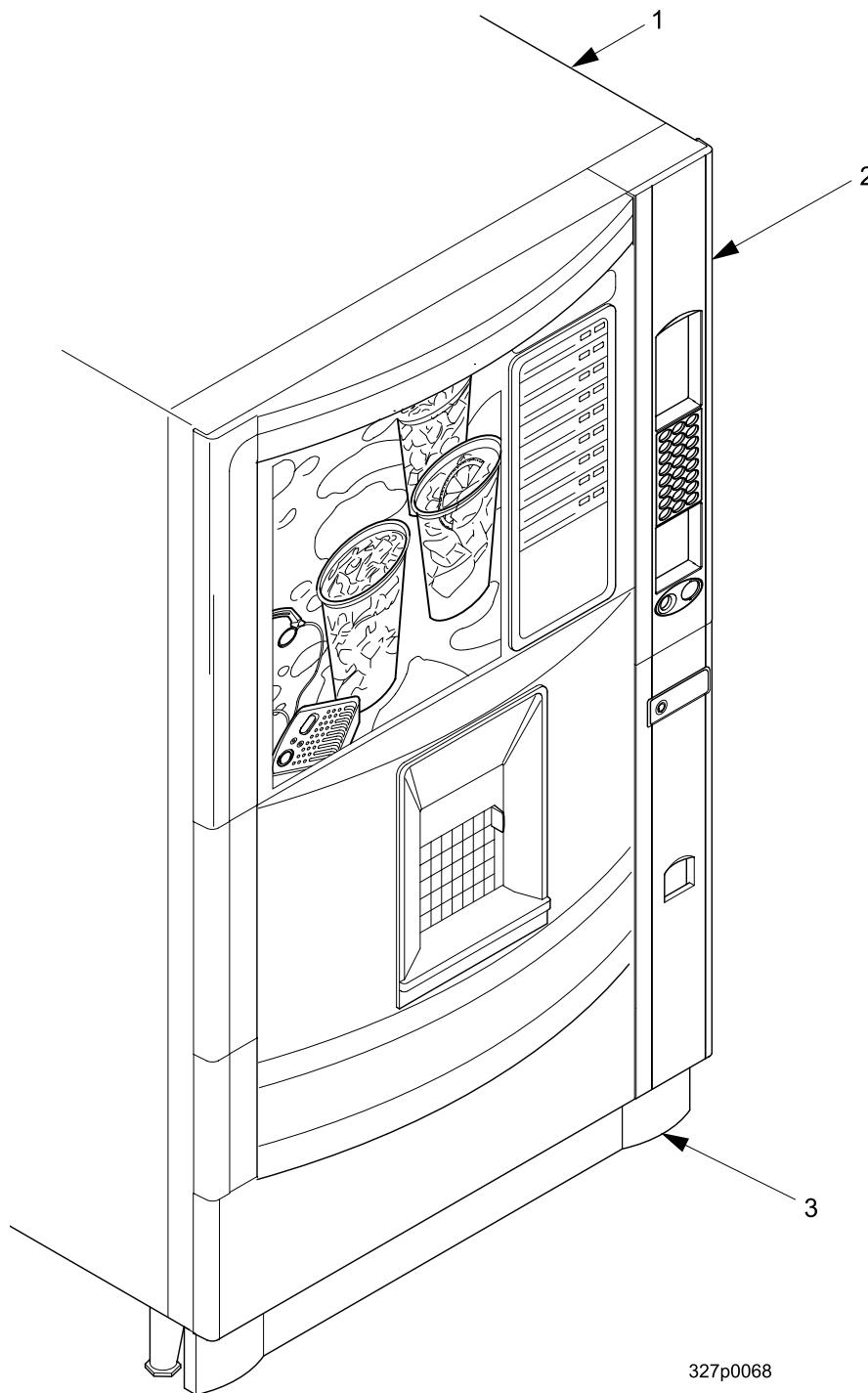


FIGURE 1: 328 MERCHANDISER

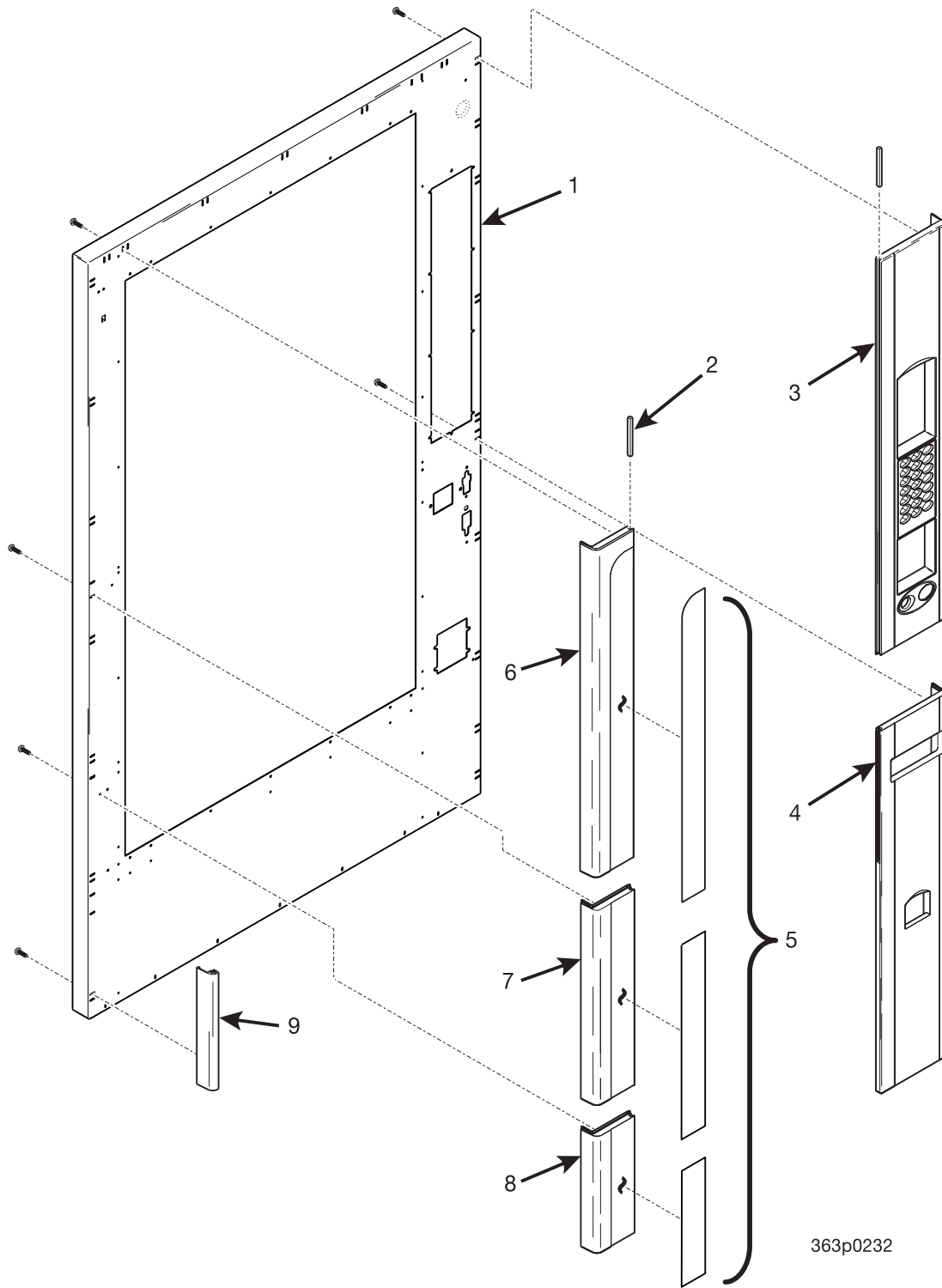
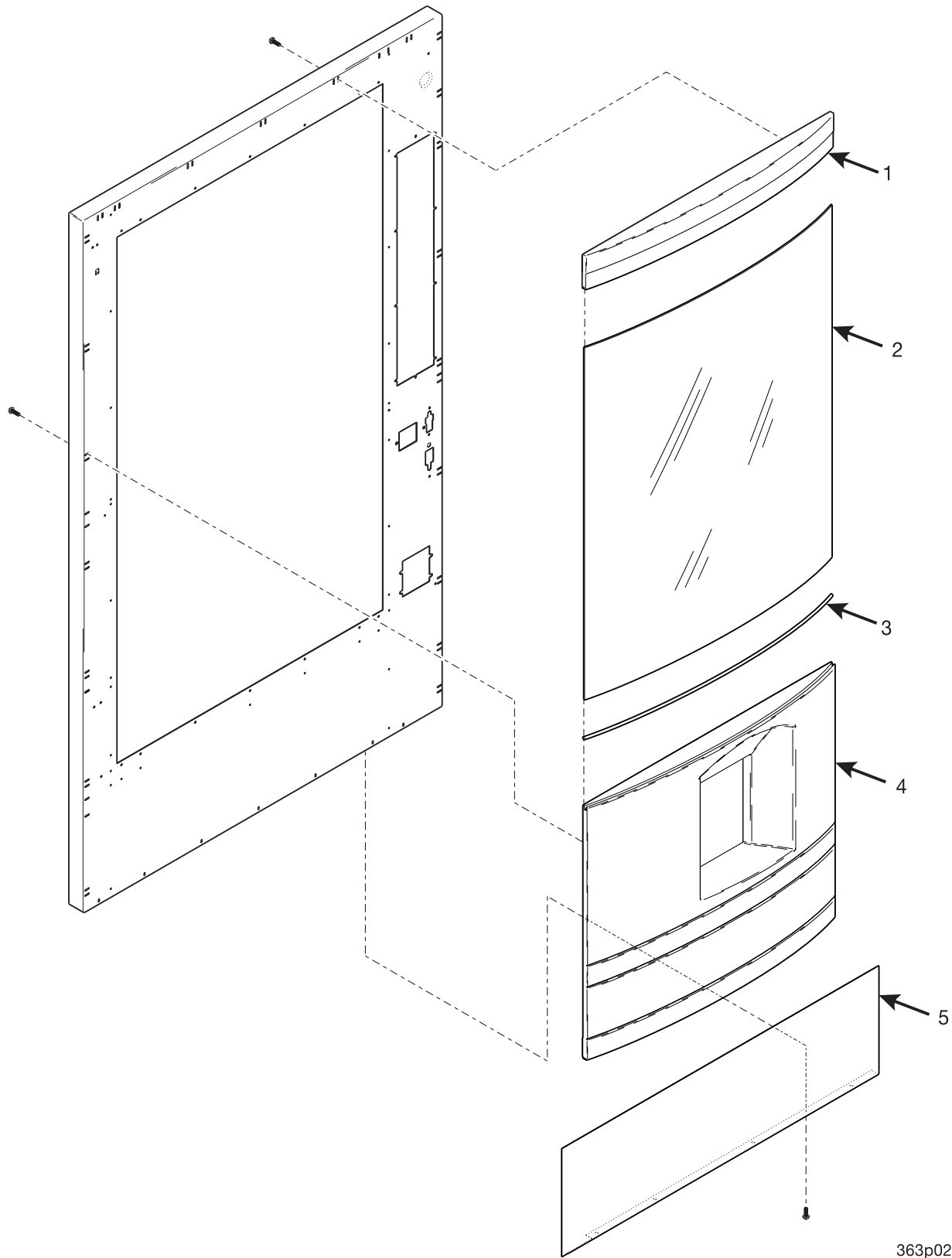


FIGURE 2: TRIM - MILLENNIA STYLE - PART 1 OF 3

TABLE 2: TRIM - MILLENNIA STYLE - PART 1 OF 3

INDEX	PART NUMBER	DESCRIPTION	QTY
1	3282019	DOOR WELD ASSEMBLY - PAINTED	1
2	1572259	FILLER - GROOVE - SHORT	2
3	1572254	RIGHT PANEL MONETARY & BUTTON ASSEMBLY - A21 (327)	1
	3632137	RIGHT PANEL MONETARY & BUTTON ASSEMBLY - A24 (328)	
4	1572214	RIGHT HAND TRIM - LOWER - B	1
5	1572258	DECAL - DOOR TRIM VERTICAL ASSEMBLY	1
6	4552058	LEFT HAND TRIM - UPPER - C	1
7	4552059	LEFT HAND TRIM - MIDDLE - D	1
8	4552060	LEFT HAND TRIM - BOTTOM - E	1
9	1572267	TRIM - LOWER - DOOR SIDE - GRAY	--



363p0233

FIGURE 3: TRIM - MILLENNIA STYLE - PART 2 OF 3

TABLE 3: TRIM - MILLENNIA STYLE - PART 2 OF 3

INDEX	PART NUMBER	DESCRIPTION	QTY
1	3632202	HORIZONTAL TRIM - TOP - 42" - H3	1
	3632204	DECAL - TRIM HORIZONTAL - 42"	
2	3632033	GLASS - CURVED FRONT - 42" TWIN	1
3	3632135	GASKET - GLASS	1
4	3632203	HORIZONTAL TRIM - 42" TWIN - R2	1
5	3632133	PANEL - BOTTOM - PAINTED	1

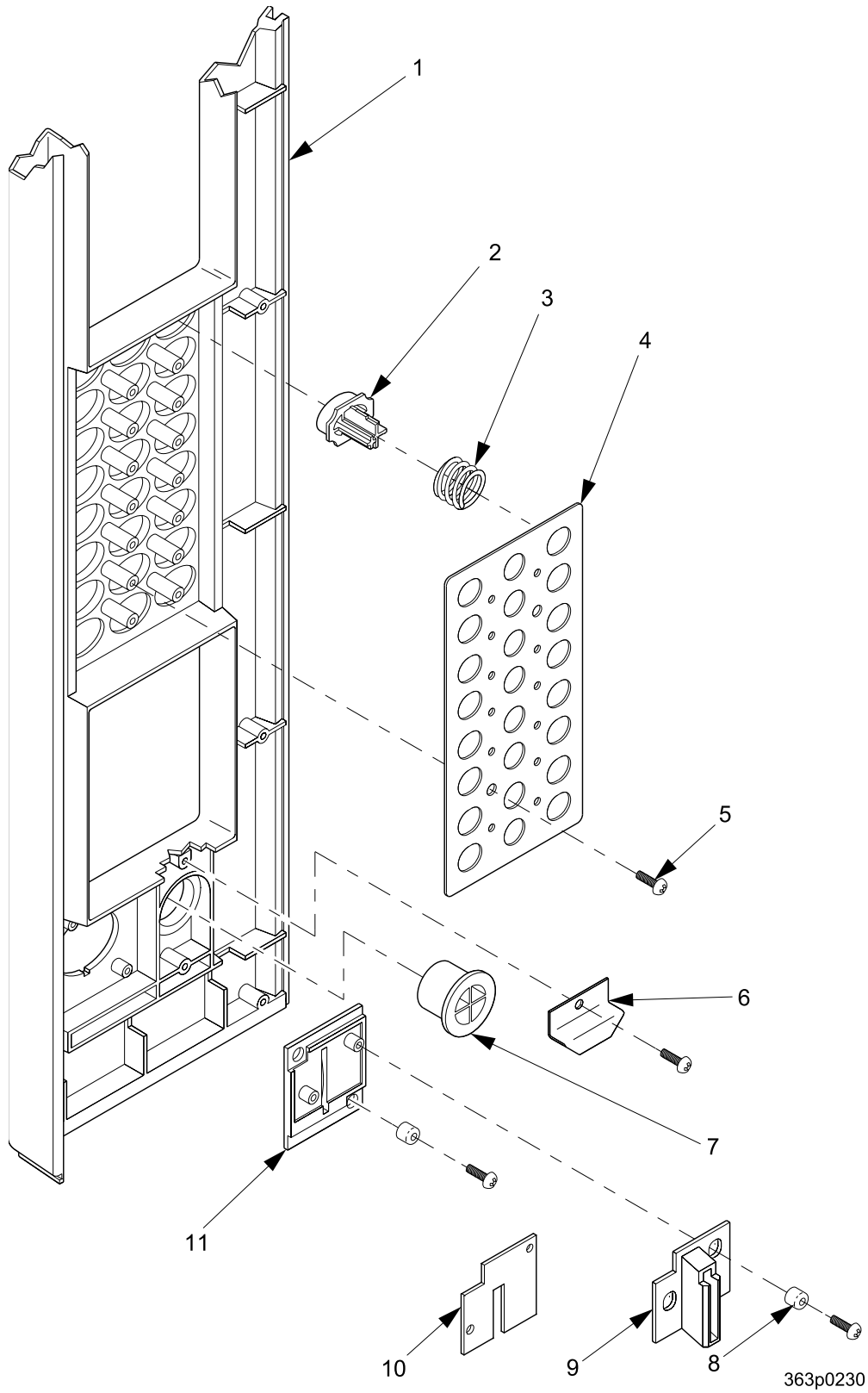
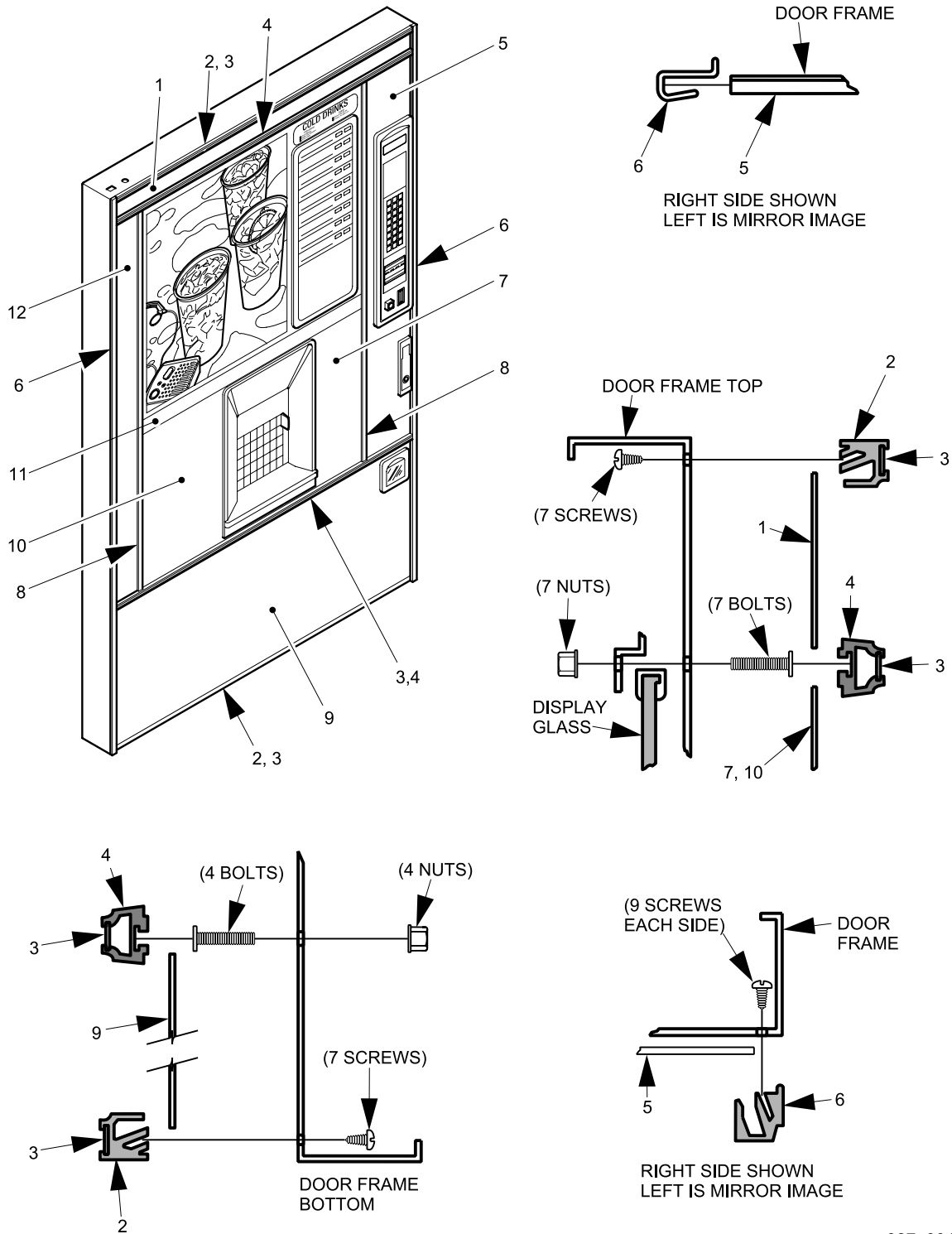


FIGURE 4: TRIM - MILLENNIA STYLE - PART 3 OF 3

TABLE 4: TRIM - MILLENNIA STYLE - PART 3 OF 3

INDEX	PART NUMBER	DESCRIPTION	QTY
--	1572254	RIGHT PANEL MONETARY & BUTTON ASSEMBLY - A - 21	--
	3632137	RIGHT PANEL MONETARY & BUTTON ASSEMBLY - A - 24	
1	1572213	RIGHT HAND TRIM- UPPER - A - 21	1
	3632114	RIGHT HAND TRIM - UPPER - A - 24	
2	1572212	ARRAY - PUSH BUTTON SELECTION	1
3	1572224	SPRING - PUSH BUTTON	24
4	1572223	PLATE - STOP BUTTONS	1
5	1472454	SCREW-#6-20 X.31 PHIL.TRUSS	12
6	1572292	RETAINER - RETURN BUTTON	1
7	1572210	COIN RETURN BUTTON - A-2	1
8	2302053	SPACER CUP	4
9	1572323	EXTENSION - COIN INSERT	1
10	1472222	COIN BLOCK	1
11	1572209	COIN INSERT - A-1	1

Note: Model 327 uses a 21 key assembly
Model 328 uses a 24 key assembly



327p004f

FIGURE 5: TRIM - STANDARD STYLE

TABLE 5: TRIM - STANDARD STYLE

INDEX	PART NUMBER	DESCRIPTION	QTY
1	--	PANEL - TOP (SEE TABLE 5A FOR DETAILS)	1
2	3632263	TRIM - DOOR - TOP - CLEAR	1
	3632009	TRIM - DOOR - TOP - BLACK	
3	3632011	TRIM - INSERT	3
4	3632010	TRIM - DOOR - HORIZONTAL - CLEAR	2
5	--	PANEL - RIGHT HAND (SEE TABLE 5B FOR DETAILS)	1
6	1302409	TRIM - DOOR - SIDE (CLEAR)	2
	1452203	TRIM DOOR - SIDE - BLACK - IBM	
7	--	PANEL - RIGHT CENTER (SEE TABLE 5C FOR DETAILS)	1
8	3152560	TRIM - VERTICAL	2
9	--	PANEL - BOTTOM (SEE TABLE 5D FOR DETAILS)	1
10	--	PANEL - LEFT CENTER (SEE TABLE 5F FOR DETAILS)	1
11	3632007	TRIM - HORIZONTAL - GLASS	1
	3632132	TRIM - HORIZONTAL - GLASS	
12	--	PANEL - LEFT (SEE TABLE 5E FOR DETAILS)	1

TABLE 5A: TOP TRIM PANELS - STANDARD STYLE

PART NUMBER	DESCRIPTION
3632265	BISON BLACK
3632231	BLACK HAIRCELL
3632235	DOVE GREY
3632228	LAMINATE
3632012	PICA
3632227	PRESIDENTIAL WALNUT
3632236	SLATE
3632233	STERLING
3632229	TEAK

TABLE 5B: RIGHT HAND TRIM PANELS - STANDARD STYLE

PART NUMBER	DESCRIPTION
6332137	BISON BLACK
6332103	BLACK HAIRCELL
6332105	BLACK PICA
6332111	DOVE GREY
6332113	LAMINATE
6332115	MOROCCO GREY
6332119	PEWTER
6332045	PORT AU PRINCE
6332122	PRESIDENTIAL WALNUT
6332124	SLATE
6332100	STERLING
6332126	TEAK

TABLE 5C: RIGHT CENTER TRIM PANELS - STANDARD STYLE

PART NUMBER	DESCRIPTION
3632237	DOVE
3632015	STERLING

TABLE 5D: BOTTOM TRIM PANELS - STANDARD STYLE

PART NUMBER	DESCRIPTION
3632242	BISON BLACK
3632243	BLACK HAIRCELL
3632244	BLACK PICA
3632247	DOVE GREY
3632248	LAMINATE
3632251	PRESIDENTIAL WALNUT
3632252	SLATE
3632253	TEAK
3632269	PICA - NO COIN
3632013	STERLING

TABLE 5E: LEFT HAND TRIM PANELS - STANDARD STYLE

PART NUMBER	DESCRIPTION
6332138	BISON BLACK
6232241	BLACK HAIRCELL
6232311	BLACK PICA
6232072	DOVE GREY
6232192	LAMINATE
6232323	MOROCCO GREY
6232201	PEWTER
6332044	PORT AU PRINCE
6232019	PRESIDENTIAL WALNUT
6232225	SLATE
6232039	STERLING
6232180	TEAK

TABLE 5F: LEFT CENTER TRIM PANELS - STANDARD STYLE

PART NUMBER	DESCRIPTION
3632256	DOVE
3632016	STERLING

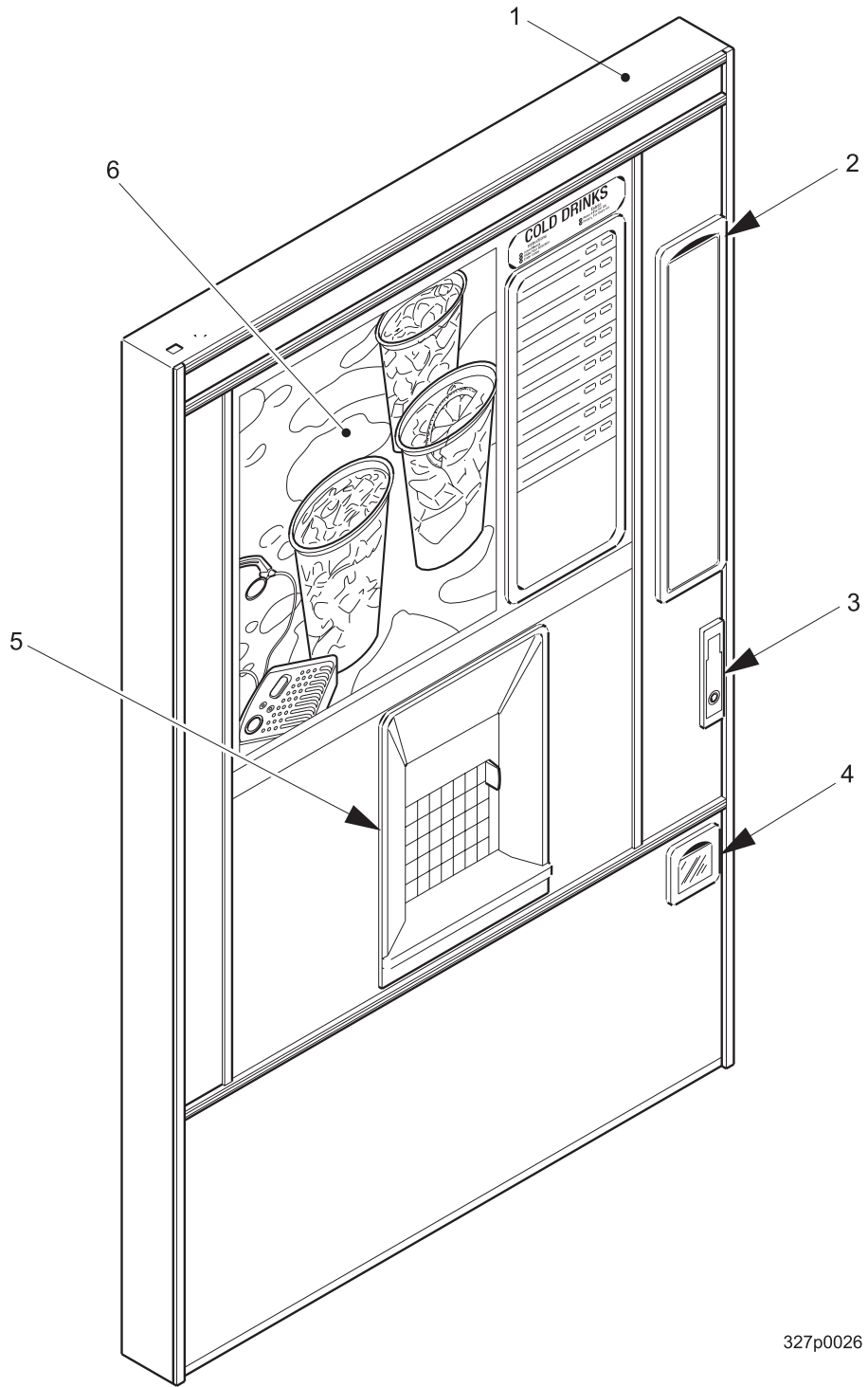


FIGURE 6: DOOR ASSEMBLY - EXTERIOR

TABLE 6: DOOR ASSEMBLY - EXTERIOR

INDEX	PART NUMBER	DESCRIPTION	QTY	
			STANDARD SHOWN	MILLENNIA NOT SHOWN
--	3282020	DOOR ASSEMBLY - STANDARD - COMMON	1	N/A
	3282000	DOOR ASSEMBLY - MILLENNIA STYLE	N/A	1
	3282030	DOOR ASSEMBLY - COMMON - W/LEXAN	1	N/A
	3272000	DOOR ASSEMBLY - MILLENNIA - GRAY	N/A	1
1	3282019	DOOR WELD ASSEMBLY - N.V. BLACK	1	1
2	1575106	CASTING - MONETARY FRAME - BLACK	1	N/A
3	--	DOOR LOCK AND HANDLE ASSEMBLY - STANDARD STYLE (SEE TABLE 12 FOR DETAILS)	1	N/A
4	1572011	TRIM - COIN CUP - BLACK	1	N/A
5	3152045	FRAME - CUP DELIVERY DOOR	1	N/A
6	--	DISPLAY ASSEMBLY (SEE FIGURE 7., 8)	1	1

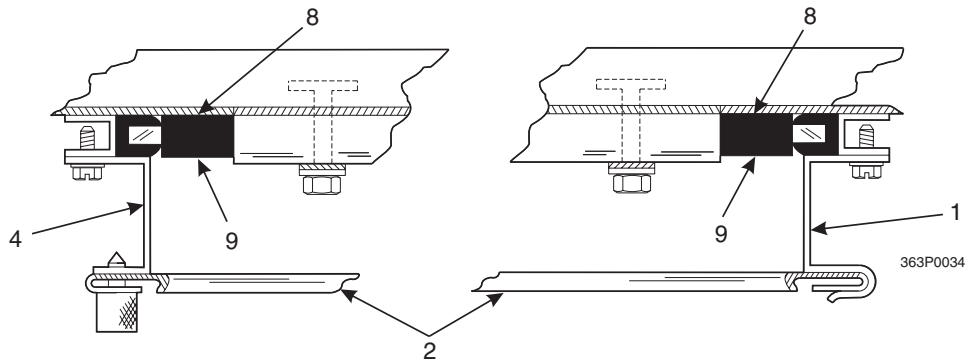
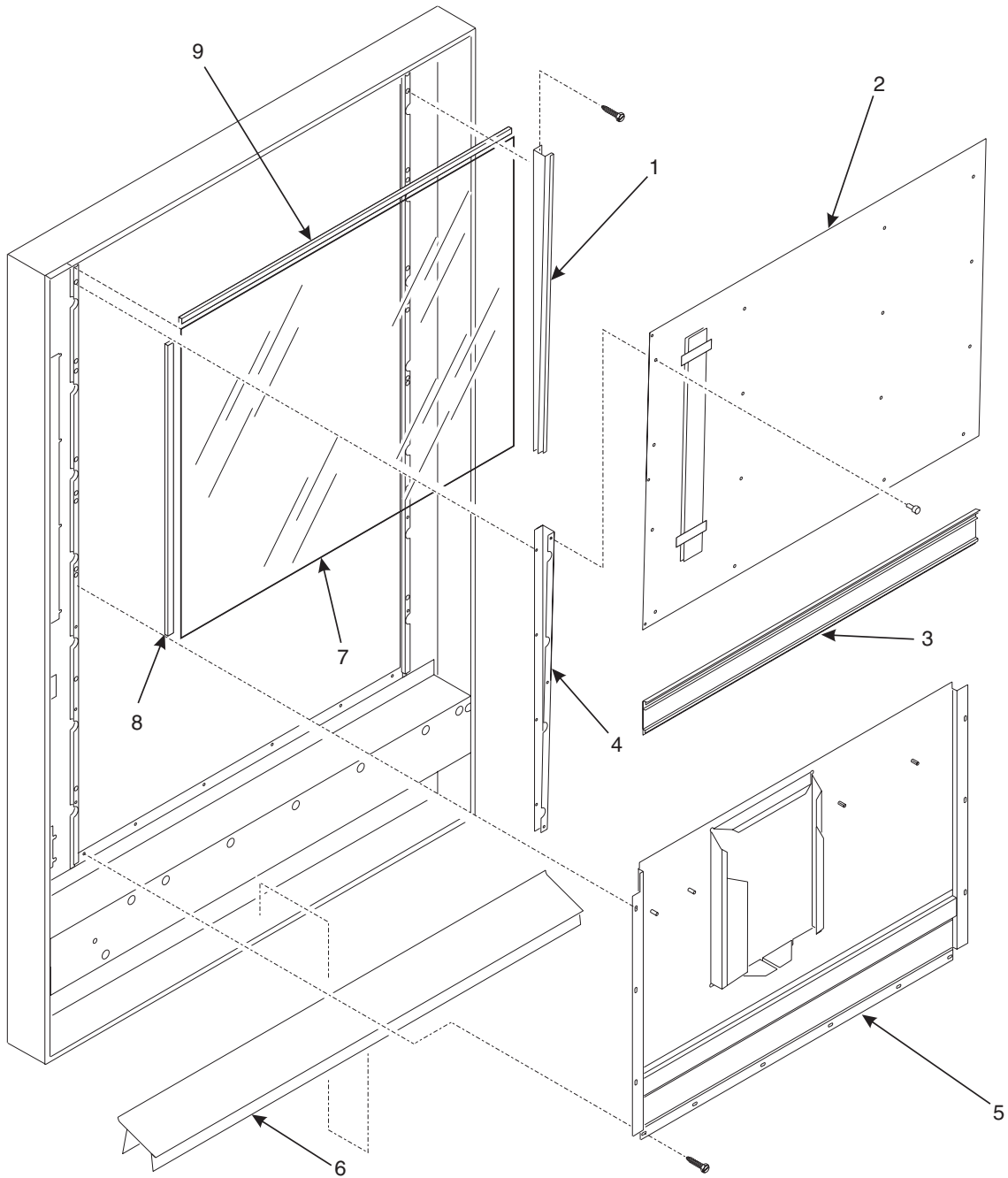


FIGURE 7: DISPLAY ASSEMBLY - PART 1 OF 2

TABLE 7: DISPLAY ASSEMBLY - PART 1 OF 2

INDEX	PART NUMBER	DESCRIPTION	QTY.
1	6232043	MOUNT - DISPLAY - RIGHT	1
2	3282015	PANEL - DISPLAY - PRODUCT	1
3	3632007	TRIM - HORIZONTAL - GLASS	1
4	6232042	MOUNT - DISPLAY - LEFT	1
5	3632139	CENTER PLATE ASSEMBLY	1
6	3282011	FILLER STRIP - SANITATION	1
7	3632022	GLASS - DISPLAY	1
8	6232071	CHANNEL - GLASS - VERTICAL	2
9	3632201	CHANNEL - GLASS - HORIZONTAL	1

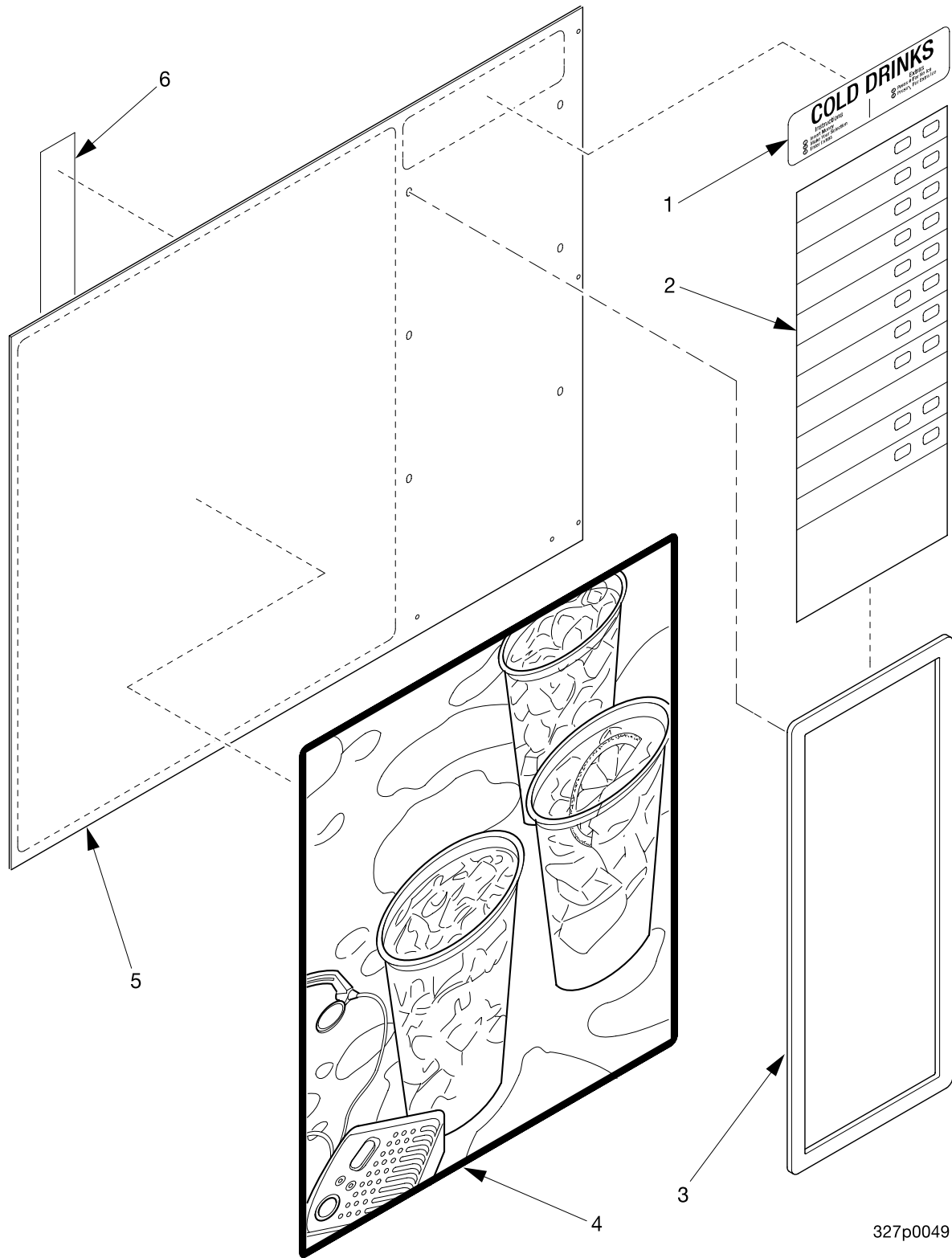


FIGURE 8: DISPLAY ASSEMBLY - PART 2 OF 2

TABLE 8: DISPLAY ASSEMBLY - PART 2 OF 2

INDEX	PART NUMBER	DESCRIPTION	QTY.
1	3632049	LABEL - INSTRUCTIONS - COLD DRINKS - ENGLISH	1
2	--	MENU INSERTS - SEE BAG ASSEMBLY (SEE TABLE 71A THROUGH, 71D FOR MORE DETAILS)	--
3	6232044	FRAME - PRODUCT IDENTIFIER	1
4	3272001	DISPLAY - PHOTO - P.O.P.	1
5	3282015	PANEL - DISPLAY - PRODUCT	1
6	6232219	FILLER - FRAME	1

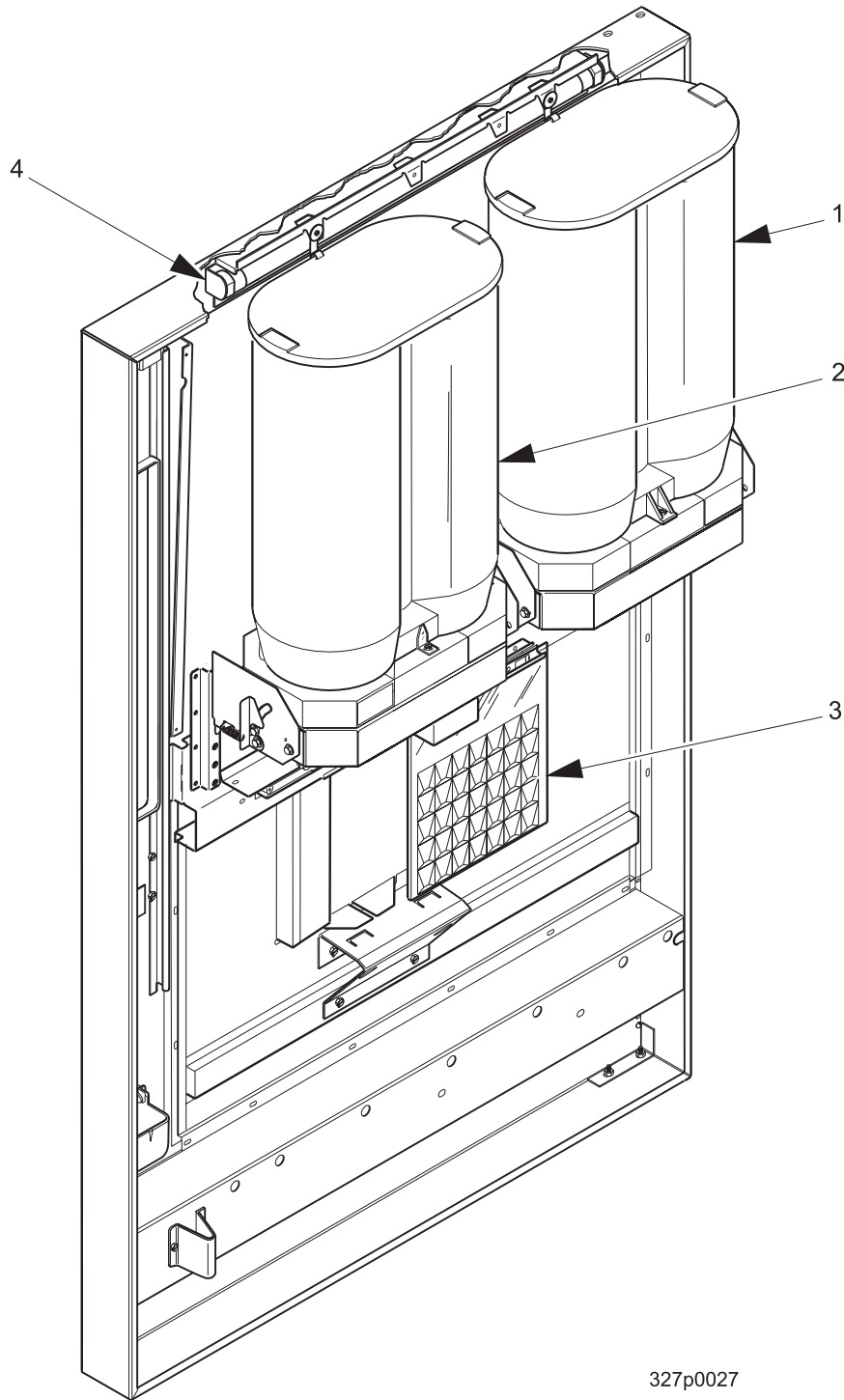


FIGURE 9: DOOR ASSEMBLY - INTERIOR

TABLE 9: DOOR ASSEMBLY - INTERIOR

INDEX	PART NUMBER	DESCRIPTION	QTY
1	3283076	CANISTER SMALL CUP - 7 COLUMN (SEE TABLE 28 FOR DETAILS)	1
2	3283031	MECHANISM AND CANISTER ASSEMBLY - LARGE CUP (SEE TABLE 29 FOR DETAILS)	1
3	6232065	DOOR - VEND (SEE TABLE 25 FOR DETAILS)	1
4	--	FLUORESCENT LAMP ASSEMBLY AND BALLAST (SEE TABLE 14 FOR DETAILS)	1

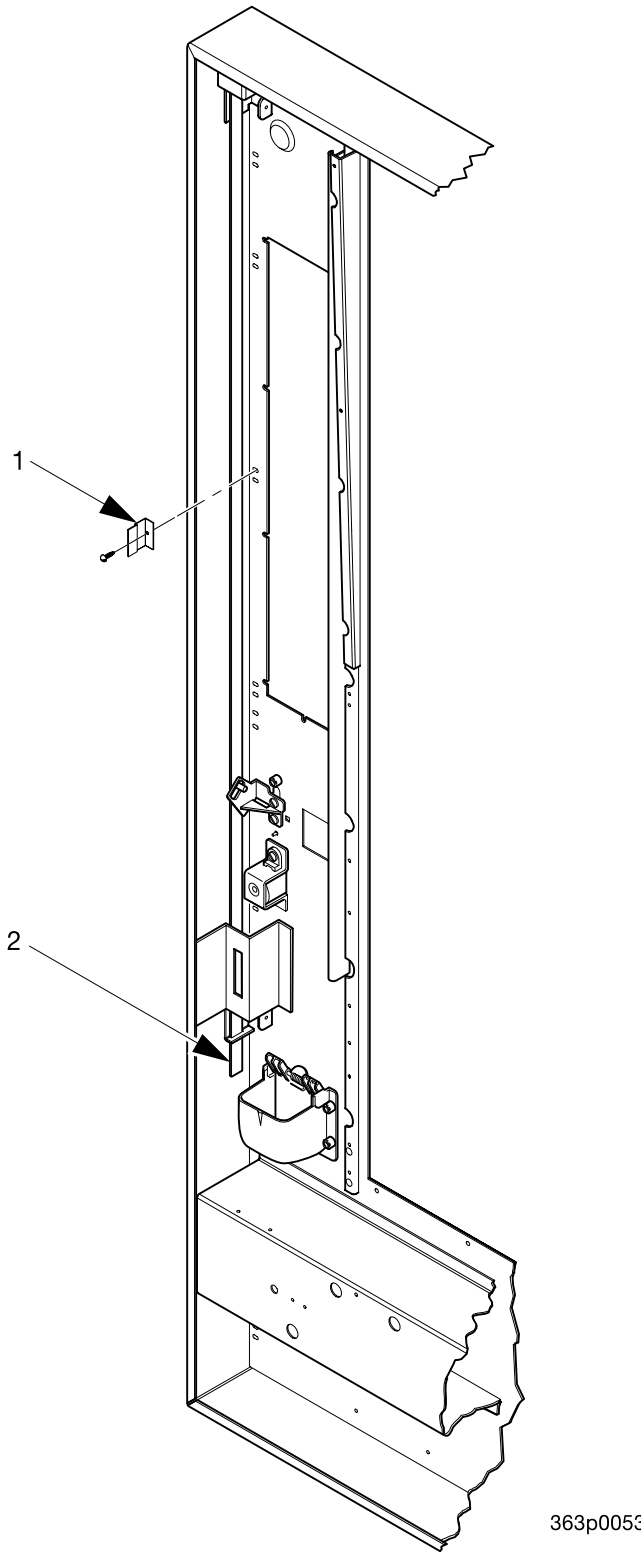
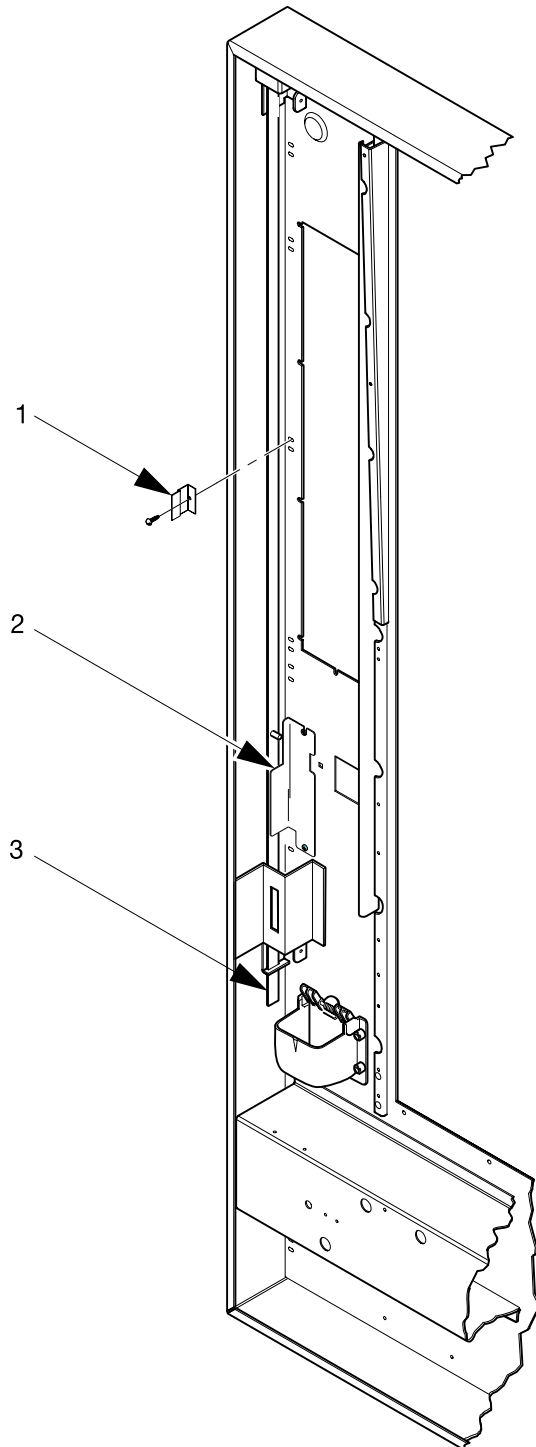


FIGURE 10: LOCK BAR ASSEMBLY - STANDARD STYLE

TABLE 10: LOCK BAR ASSEMBLY - STANDARD STYLE

INDEX	PART NUMBER	DESCRIPTION	QTY.
1	1472250	GUIDE - LOCK BAR	1
2	1472178	LOCK BAR ASSEMBLY (INCLUDES NEXT 4 ITEMS)	1
--	1472179	LATCH & LOCK BAR ASSEMBLY (INCLUDES NEXT 2 ITEMS)	--
--	1472014	LOCK BAR	--
--	1472112	LATCH - LOCK BAR	--
--	1302284	STUD - LOCK BAR	--



363p023f

FIGURE 11: LOCK BAR ASSEMBLY - MILLENNIA STYLE

TABLE 11: LOCK BAR ASSEMBLY - MILLENNIA STYLE

INDEX	PART NUMBER	DESCRIPTION	QTY.
1	1472250	GUIDE - LOCK BAR	1
2	1572196	CHANNEL - FILLER - LOCK	1
3	1472178	LOCK BAR ASSEMBLY	1

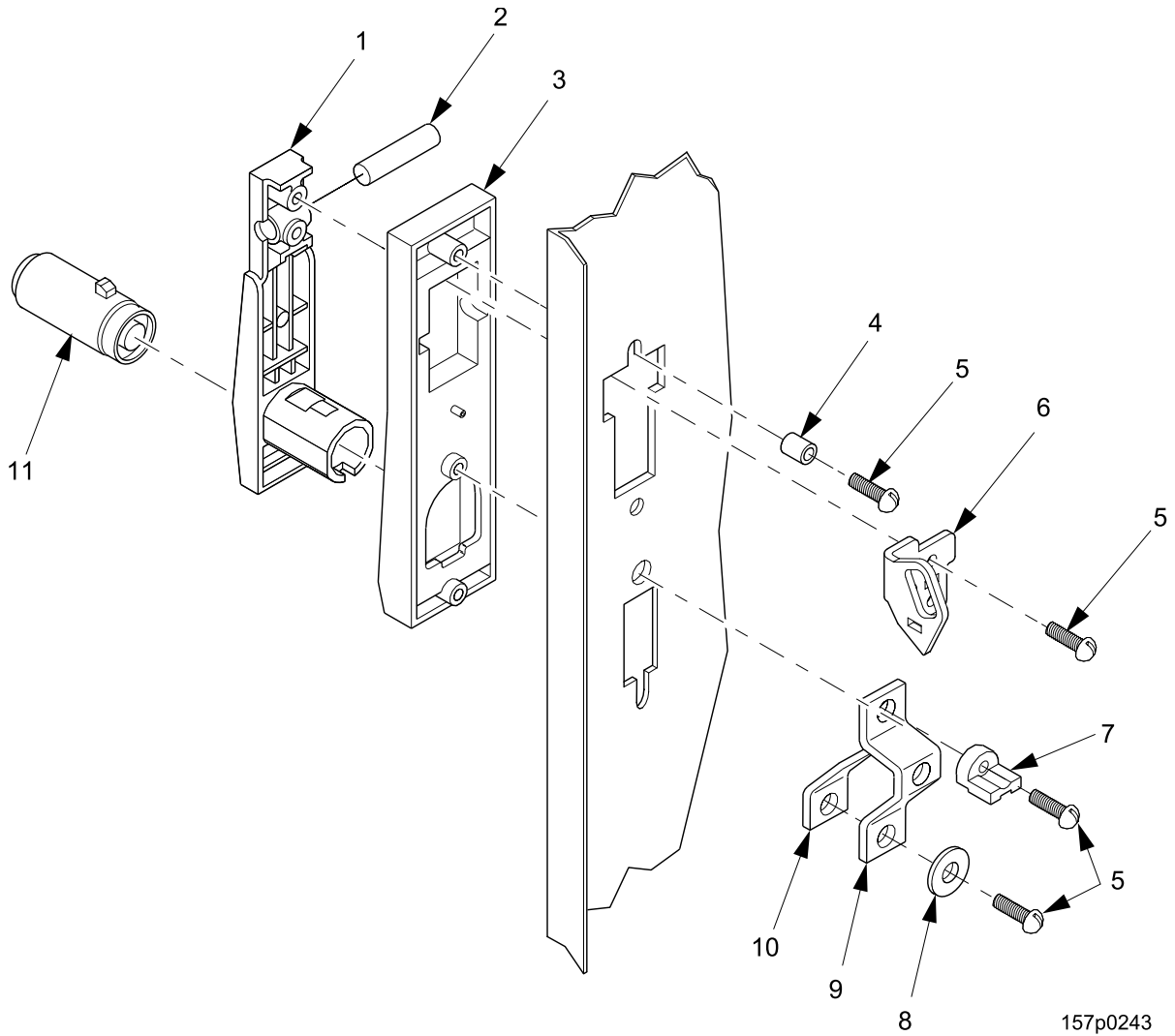


FIGURE 12: DOOR LOCK AND HANDLE ASSEMBLY - STANDARD STYLE

TABLE 12: DOOR LOCK AND HANDLE ASSEMBLY - STANDARD STYLE

INDEX	PART NUMBER	DESCRIPTION	QTY
1	1172190	LEVER - LOCK	1
2	1302291	PIVOT - LEVER LOCK	1
3	1172191	BASE - LEVER LOCK	1
4	1302289	CUP SPACER	1
5	9900170	SCREW - #10-32 X 1/2"PHIL.PAN	3
6	2272052	ACTUATOR ASSEMBLY - LOCK BAR	1
7	1302326	SHIELD - LATCH	1
8	9900121	WASHER STEEL 7/16 X.203 X.03	1
9	1302324	CATCH - DOOR LATCH	1
10	1302290	LATCH - LOCK LOWER	1
11	9992400	FLEX ACE LOCK CYLINDER #4355-19-A	1
	3112163	CYLINDER - VAN LOCK #4275	OPT
--	3112164	KEY - VAN LOCK #K5-STD.COMBINATN (NOT SHOWN)	1 OPT

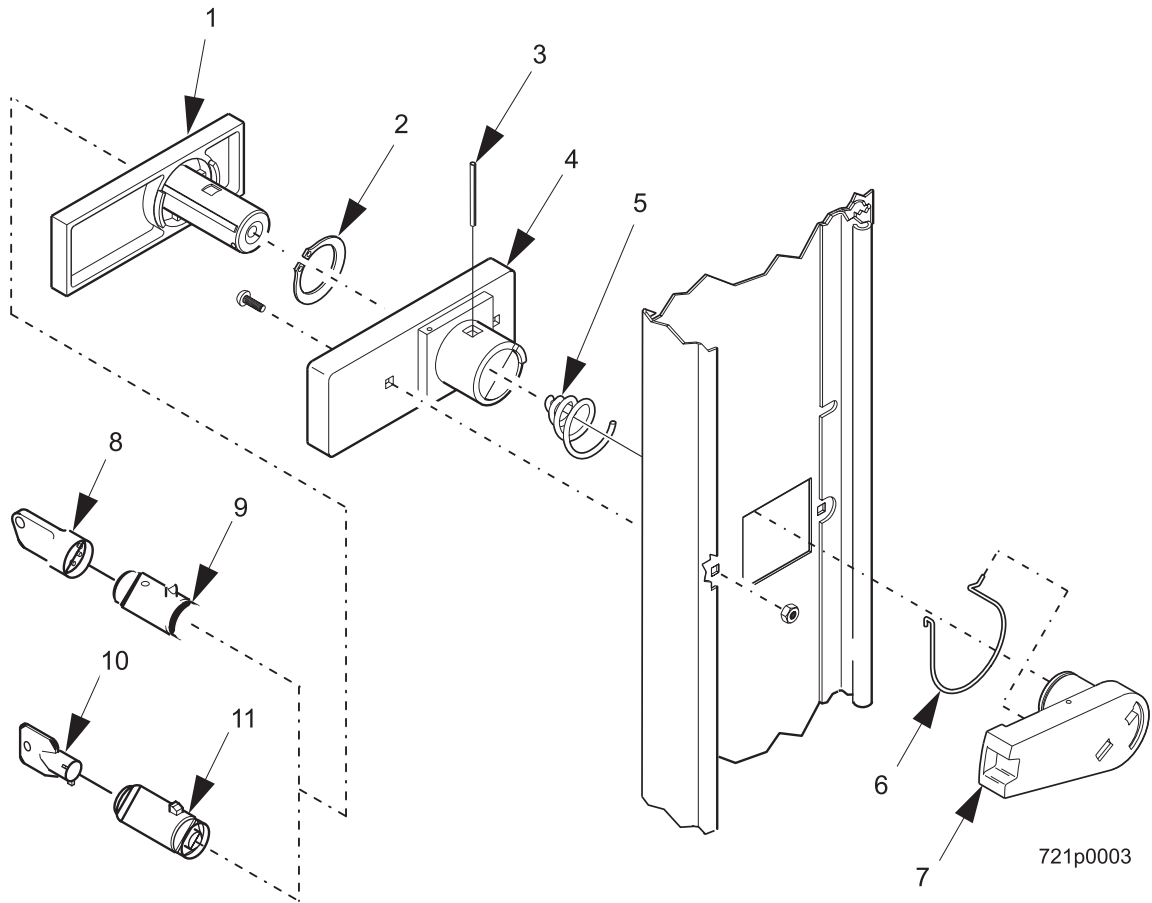
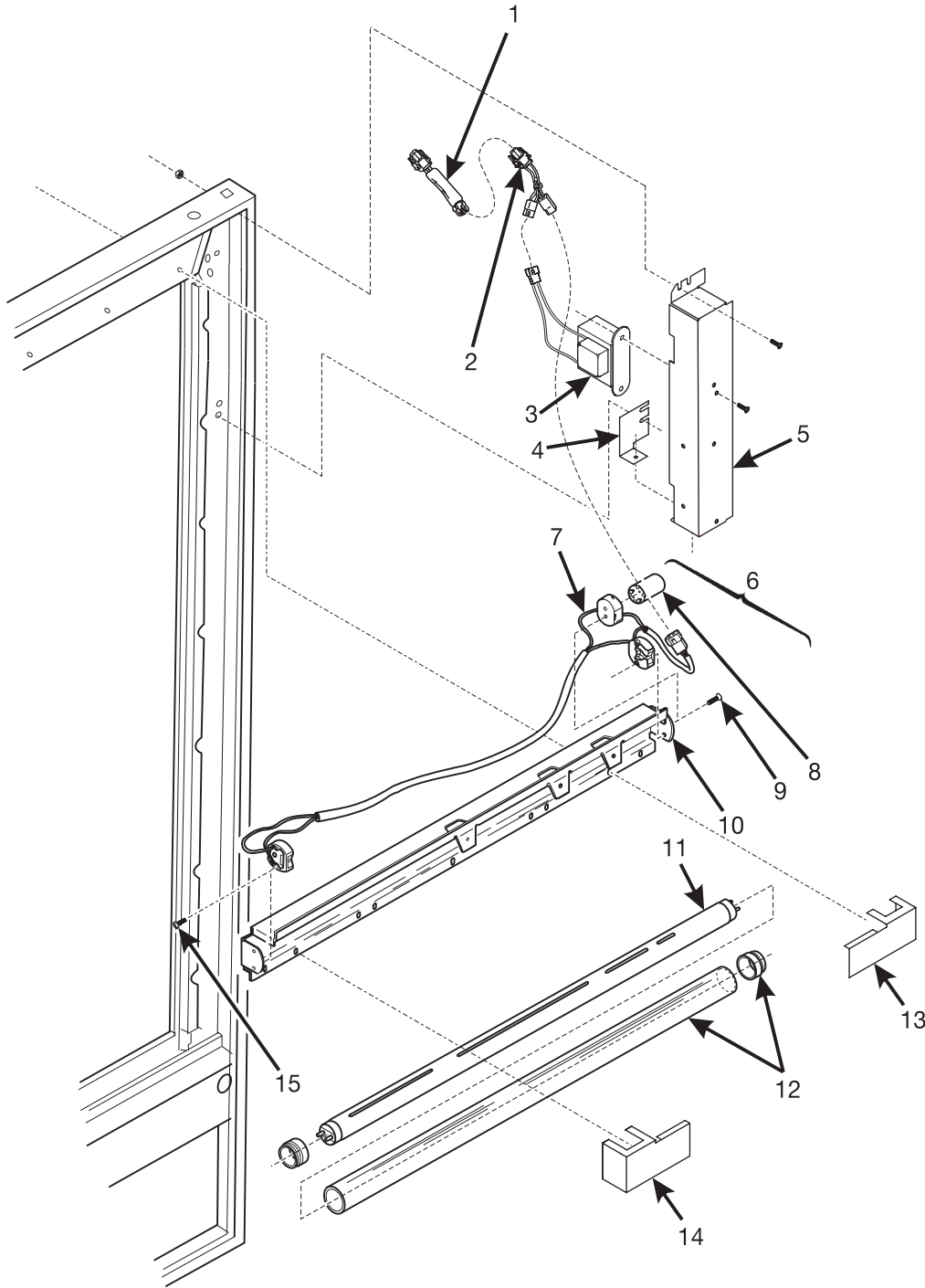


FIGURE 13: DOOR LOCK AND HANDLE ASSEMBLY - MILLENNIA STYLE

TABLE 13: DOOR LOCK AND HANDLE ASSEMBLY - MILLENNIA STYLE

INDEX	PART NUMBER	DESCRIPTION	QTY
--	1572395	LOCK ASSEMBLY - MILLENNIA - NAMA STANDARD	1
1	1572397	LEVER - HANDLE	1
2	1572199	RETAINING RING - LOCK ACTUATOR	1
3	6104218	ROLL PIN 1/8 X 1 IN	1
4	1572396	BASE - LOCK HANDLE	1
5	1572203	SPRING - LOCK	1
6	1572204	SPRING - LIFT - ACTUATOR	1
7	1572398	ACTUATOR - LOCK BAR	1
8	3112164	KEY - VAN LOCK #K5 - STD.COMBINATN	1
9	3112163	CYLINDER - VAN LOCK #4275	1
10	--	KEY	1
11	9992400	LOCK CYLINDER #4355 - 19 - A	1



327p0062

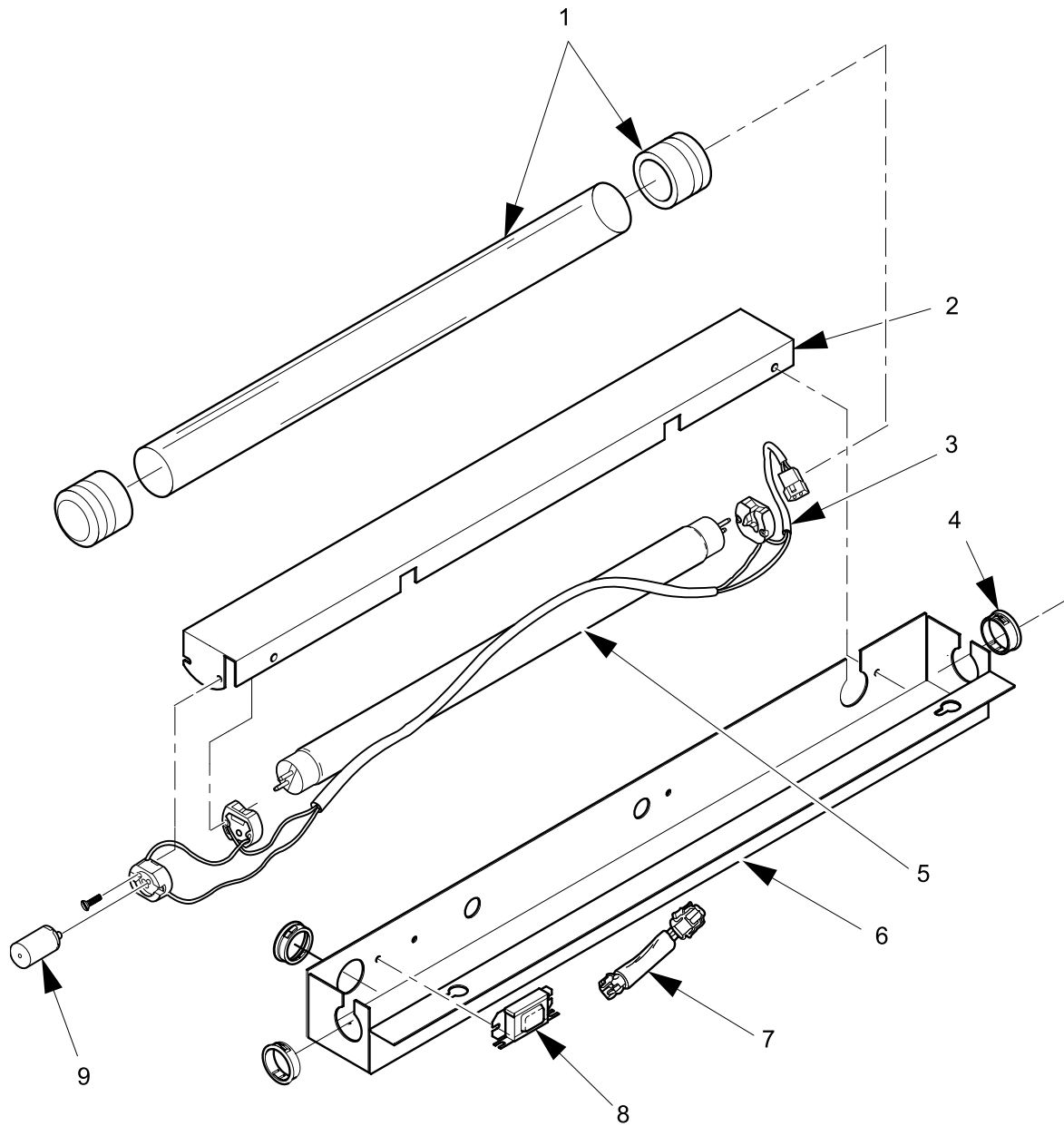
**FIGURE 14: FLUORESCENT LAMP ASSEMBLY & BALLAST
(STANDARD & MILLENNIA STYLES)**

**TABLE 14: FLUORESCENT LAMP ASSEMBLY & BALLAST
(STANDARD & MILLENNIA STYLES)**

INDEX	PART NUMBER	DESCRIPTION	QTY
1	1679005	FLUORESCENT LIGHT FILTER - 120/230V	1
2	3156032	JUMPER - FILTER AND FLUORESCENT LIGHT	1
3	3151058	BALLAST ASSEMBLY - 14-20 WATT (BRZ./MEX/U.S.)	1
	6332009	BALLAST ASSEMBLY - 18 WATT (ARG./AUS./FR./GER./N.Z./S.A./SP./U.K.)	
4	6332007	ANGLE FOREIGN BALLAST COVER	1
5	6332048	COVER - COMMON - FOREIGN BALLAST (230 V)	1
6	3282016	LIGHT BRACKET ASSEMBLY (INCLUDES INDEX NUMBERS 7, 9 - 10, AND 15)	1
7	1679006	HARNESS ASSEMBLY - LIGHT AND FILTER	1
8	2222095	FLUORESCENT LAMP STARTER	1
9	9900219	SCREW - #4-36 X .437 RH PHILLIPS	2
10	6532016	BRACKET - LIGHT TUBE	1
11	2222535	FLUORESCENT LAMP	1
12	6232156	LAMP SCREWS AND END CAPS ASSEMBLY	1
13	6232348	GUARD - LIGHT SOCKET - RIGHT (230 V)	1
14	6232349	GUARD - LIGHT SOCKET - LEFT (230 V)	1
15	3107171	SCREW #4-36 X 5/8 RHS	2

TABLE 14A: BACKLIGHT ASSEMBLY (NOT SHOWN)

PART NUMBER	DESCRIPTION	QTY
1679005	FLUORESCENT LIGHT FILTER - 120/230V	1
3272002	MOUNT ASSEMBLY - LOWER	1
3272008	BALLAST ASSEMBLY	--
3272009	BACKLIGHT ASSEMBLY (INCLUDES NEXT 5 ITEMS)	--
3272010	HOUSING - LAMP - BACKLIGHT	1
3272016	COVER - BULB SOCKETS	1
3279001	HARNESS - BACKLIT LAMP - COLD DRINK CENTER	3
4031148	LAMP FLUORESCENT 13W #F13T5C	3
4031150	STARTER FS-4, FLUORESCENT LAM	3
3272015	COVER - BALLAST & HARNESS	1
3272017	UPPER LIGHT ASSEMBLY (INCLUDES NEXT 4 ITEMS)	--
3272019	UPPER LIGHT ASSEMBLY - 230V (INCLUDES NEXT 4 ITEMS)	
1679006	LIGHT & FILTER HARNESS ASSEMBLY	1
3151058	BALLAST ASSEMBLY - 14/20 WATT	1
6332009	BALLAST ASSEMBLY - 18 WATT - 230V	
3272005	LIGHT BRACKET ASSEMBLY - BACKLIT P	1
6532017	INSULATION DISC	1

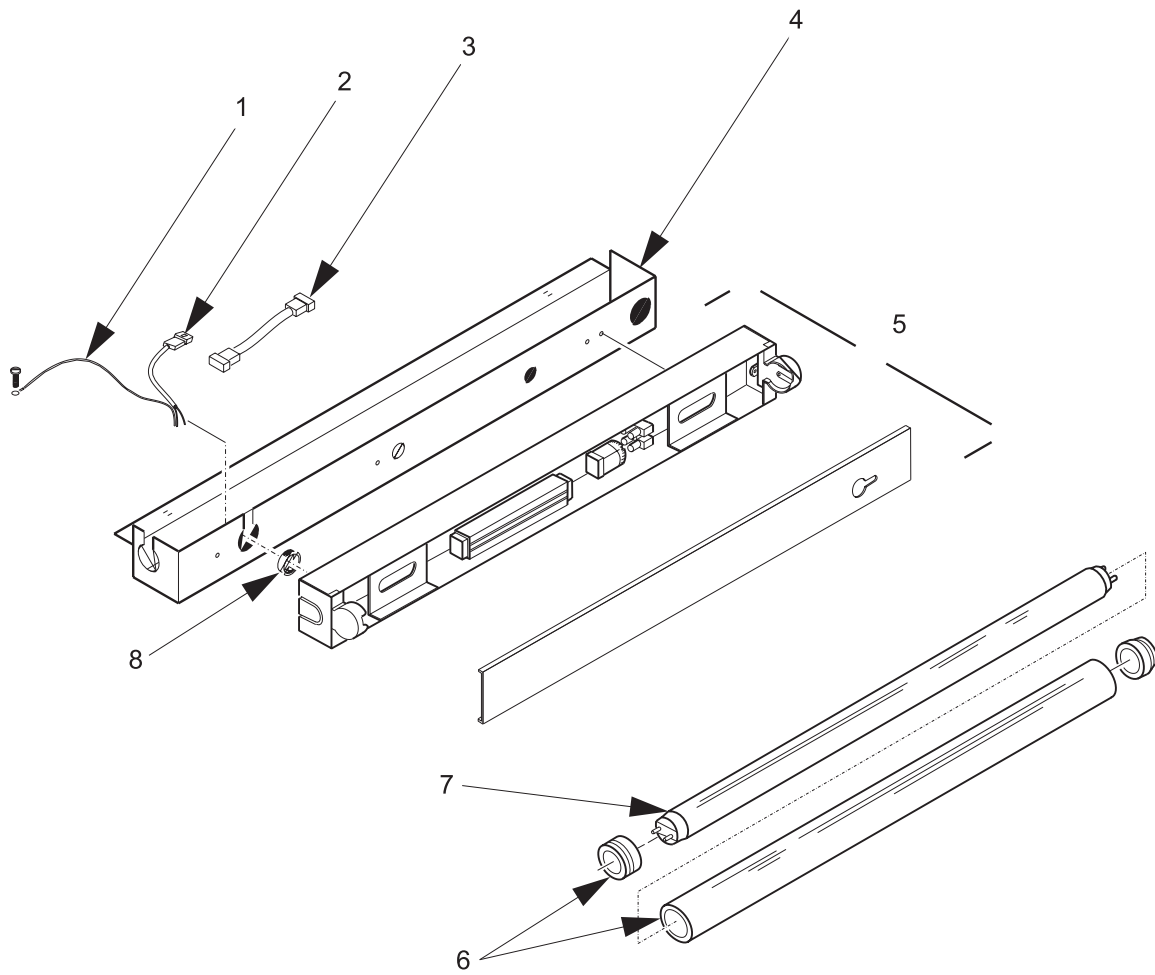


327p0044

FIGURE 15: SERVICE LIGHT ASSEMBLY

TABLE 15: SERVICE LIGHT ASSEMBLY

INDEX	PART NUMBER	DESCRIPTION	QTY.
--	3281051	SERVICE LIGHT/BRACKET ASSEMBLY - DOMESTIC	--
--	6231232	LIGHT ASSEMBLY - FLUORESCENT (INCLUDES ITEMS 1-2)	1
1	6232305	LAMP SLEEVE AND MALE END CAP ASSEMBLY	1
2	2272036	BRACKET LOWER LIGHT	1
3	2346016	HARNESS - FLUORESCENT LIGHT	1
4	4747042	BUSHING - OPEN/CLOSED	1
5	2222096	FLUORESCENT LAMP #F15T8CW	1
6	3281056	BRACKET - SERVICE LIGHT	1
7	1679005	FLUORESCENT LIGHT FILTER - 120/230V (328 ONLY)	1
8	3151058	BALLAST ASSEMBLY -14/20 WATT	1
9	2222095	FLUORESCENT LAMP STARTER FS-2	1



327p0058

FIGURE 16: SERVICE LIGHT & BRACKET ASSEMBLY (UK/France/GERMANY)

TABLE 16: SERVICE LIGHT & BRACKET ASSEMBLY (UK/FRANCE/GERMANY)

INDEX	PART NUMBER	DESCRIPTION	QTY
--	3281061	LIGHT & BRACKET ASSEMBLY - FLUORESCENT - 230V	1
1	9984094	WIRE - GROUND - 14	1
2	6339011	JUMPER - SERVICE LIGHT - FOREIGN	1
3	3156032	JUMPER - FILTER AND FLUORESCENT LIGHT	1
4	3281056	BRACKET - SERVICE LIGHT	1
5	3281077	LIGHT ASSEMBLY - FLUORESCENT - 230V	1
6	6232305	LAMP SLEEVE & MALE END CAP ASSEMBLY	1
7	2222096	FLUORESCENT LAMP #F15T8CW	1
8	4747042	BUSHING - OPEN/CLOSED	1

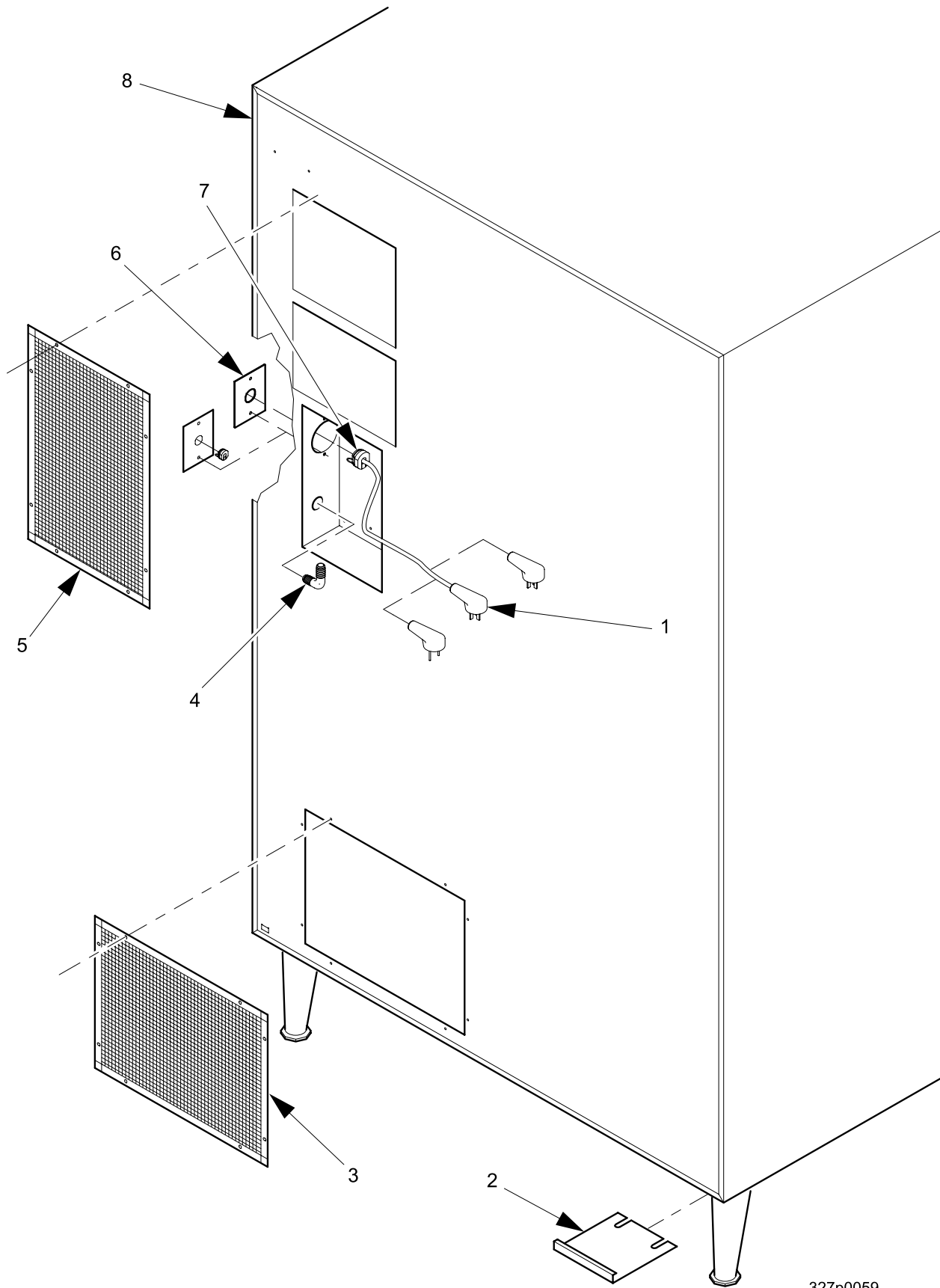


FIGURE 17: COMMON CABINET - REAR

327p0059

TABLE 17: COMMON CABINET - REAR

INDEX	PART NUMBER	DESCRIPTION	QTY
1	3271014	POWER CORD ASSEMBLY - 20A - 115V (USA)	1
	9989576	POWER CORD - W/BSI PLUG (UK)	
	9989577	POWER CORD - EUROPEAN PLUG	
2	4741065	STANDOFF - MACHINE - CABINET	2
3	4311042	SCREEN ASSEMBLY - REAR	1
4	3108184	ELBOW - 3/8 FLARE X 3/8 NPTF	1
5	3631147	SCREEN ASSEMBLY - UPPER - REAR	1
6	3631067	PLATE - POWER CORD MOUNTING - DOMESTIC (USA)	1
	3631068	PLATE - POWER CORD MOUNTING - FOREIGN (UK/FRANCE/GERMANY)	
7	4041073	BUSHING #SR-6P-3 (UK/FRANCE/GERMANY)	1
8	3281021	CABINET ASSEMBLY - N.V.BLACK	1
	3281022	CABINET ASSEMBLY - CORVELL MILLENNIA GRAY	

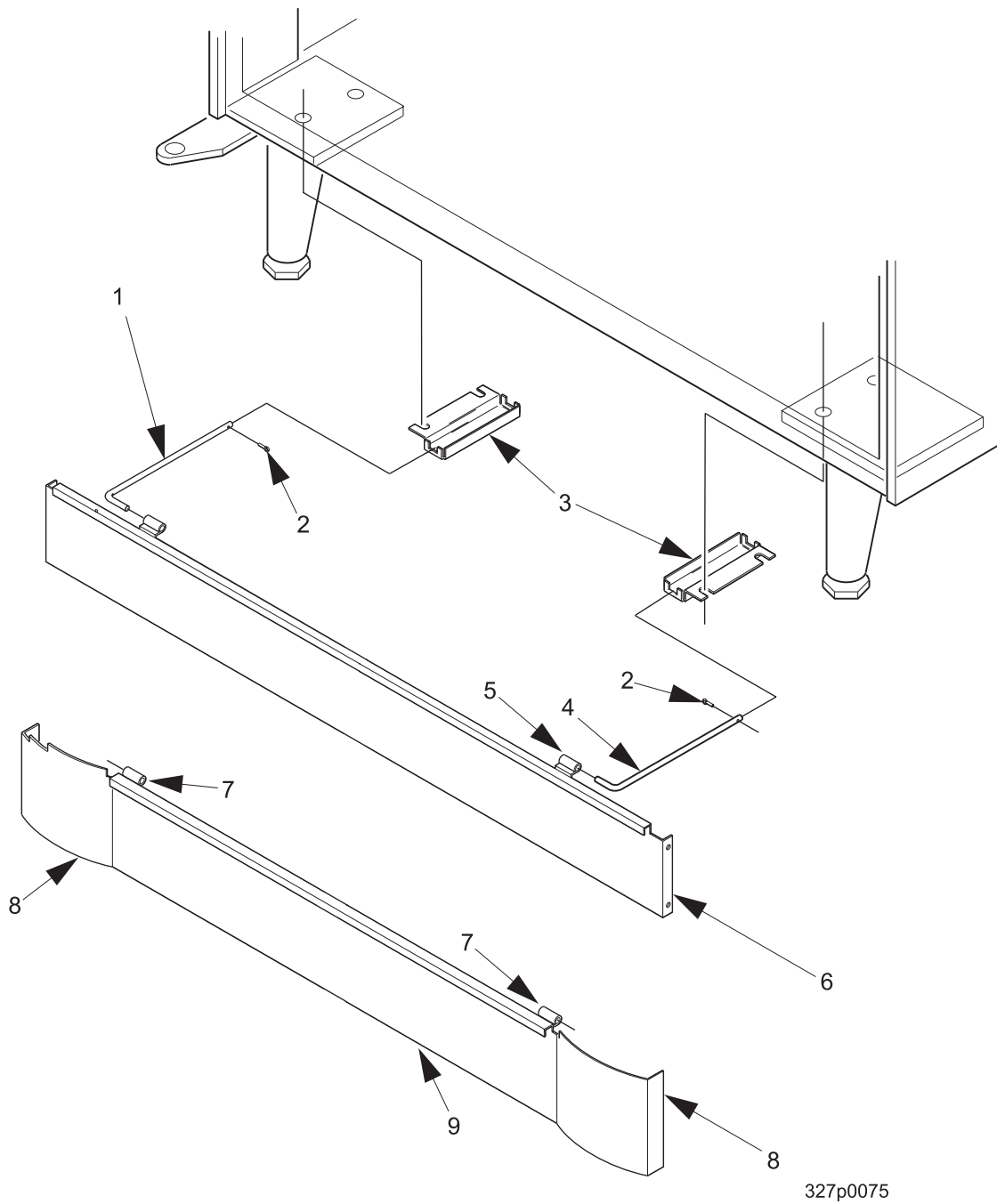


FIGURE 18: BASE PLATE ASSEMBLIES

TABLE 18: BASE PLATE ASSEMBLIES

INDEX	PART NUMBER	DESCRIPTION	QTY
1	1411195	SLIDE - BASE PLATE - LEFT HAND (HINGE SIDE)	1
2	9900098	COTTER PIN, 3/32	2
3	6231087	BRACKET - BASE PLATE	2
4	1411194	SLIDE - BASE PLATE - RIGHT HAND (LOCK SIDE)	1
--	3631106	BASE PLATE ASSEMBLY - STANDARD BLACK (ITEMS 5, 6)	--
	3631101	BASE PLATE ASSEMBLY - 42" - MILLENNIA (ITEMS 7-9)	
5	1411176	HINGE - BASE PLATE	2
6	3631107	PANEL - BASE PLATE	1
--	9902511	BUMPER & HINGE S/A - RIGHT (ITEMS 7, 8)	--
	9902512	BUMPER & HINGE S/A - LEFT (ITEMS 7, 8)	
7	1571164	HINGE - BASE PLATE - MILLENNIA	2
8	4551145	BUMPER - BASE PLATE - MILLENNIA	2
9	3631102	PANEL - BASE PLATE - 42" - MILLENNIA	1

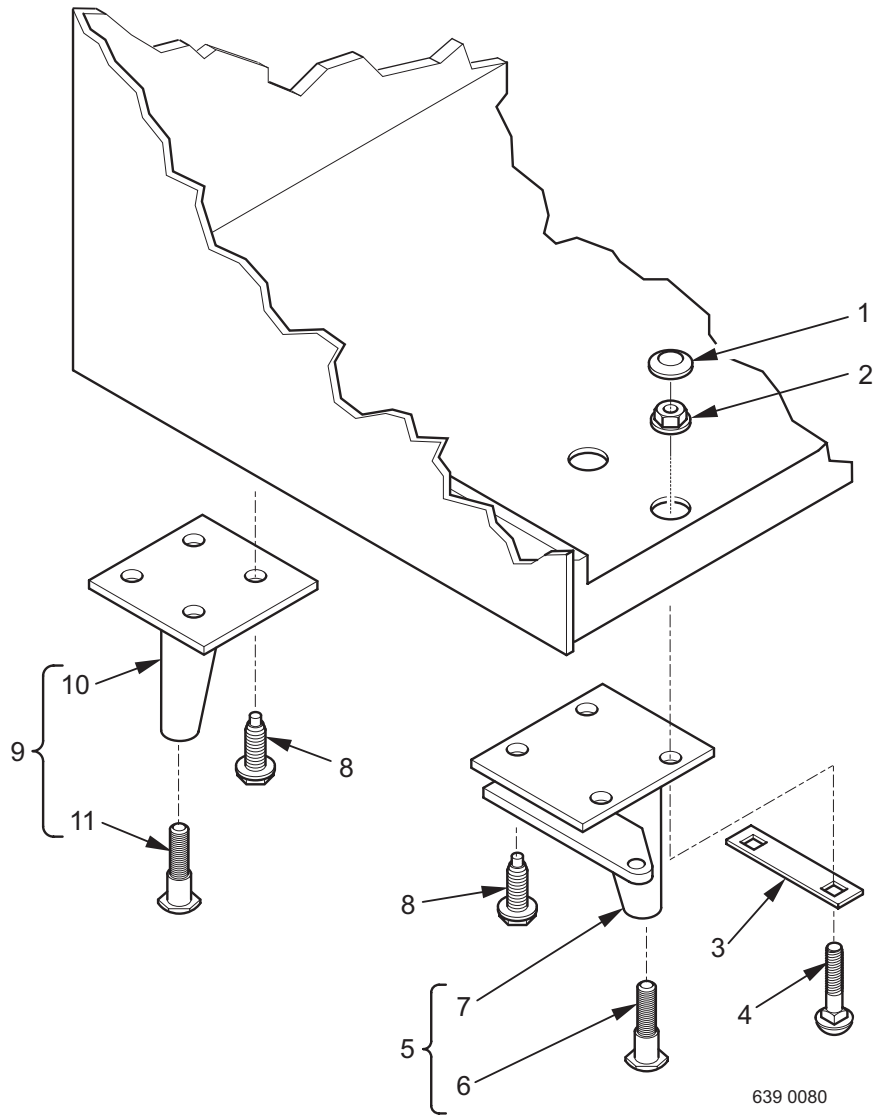


FIGURE 19: LEG, LEVELER, AND LEG AND HINGE ASSEMBLIES

TABLE 19: LEG, LEVELER, AND LEG AND HINGE ASSEMBLIES

INDEX	PART NUMBER	DESCRIPTION	QTY.
1	6231034	PLUG - HOLE (NOT USED IN ALL APPLICATIONS)	2
2	1172021	NUT - 1/4-20 WHIZ-LOCK	2
3	6231203	PLATE - HINGE LEG BOLT	1
4	1211112	TRAY BOLT	2
5	6231163	LEG, HINGE, AND LEVELER ASSEMBLY (ITEMS 6 & 7)	1
6	1471098	LEVELER - CABINET	1
7	1571115	LEG AND HINGE ASSEMBLY	1
8	9900218	SCREW - # 5/16 X 1 W/LOCKING RING	14
9	1471237	LEG AND LEVELER ASSEMBLY - CABINET (ITEMS 10 & 11)	3
10	4311068	LEG ASSEMBLY - CABINET - WELD	1
11	1471098	LEVELER - CABINET	1

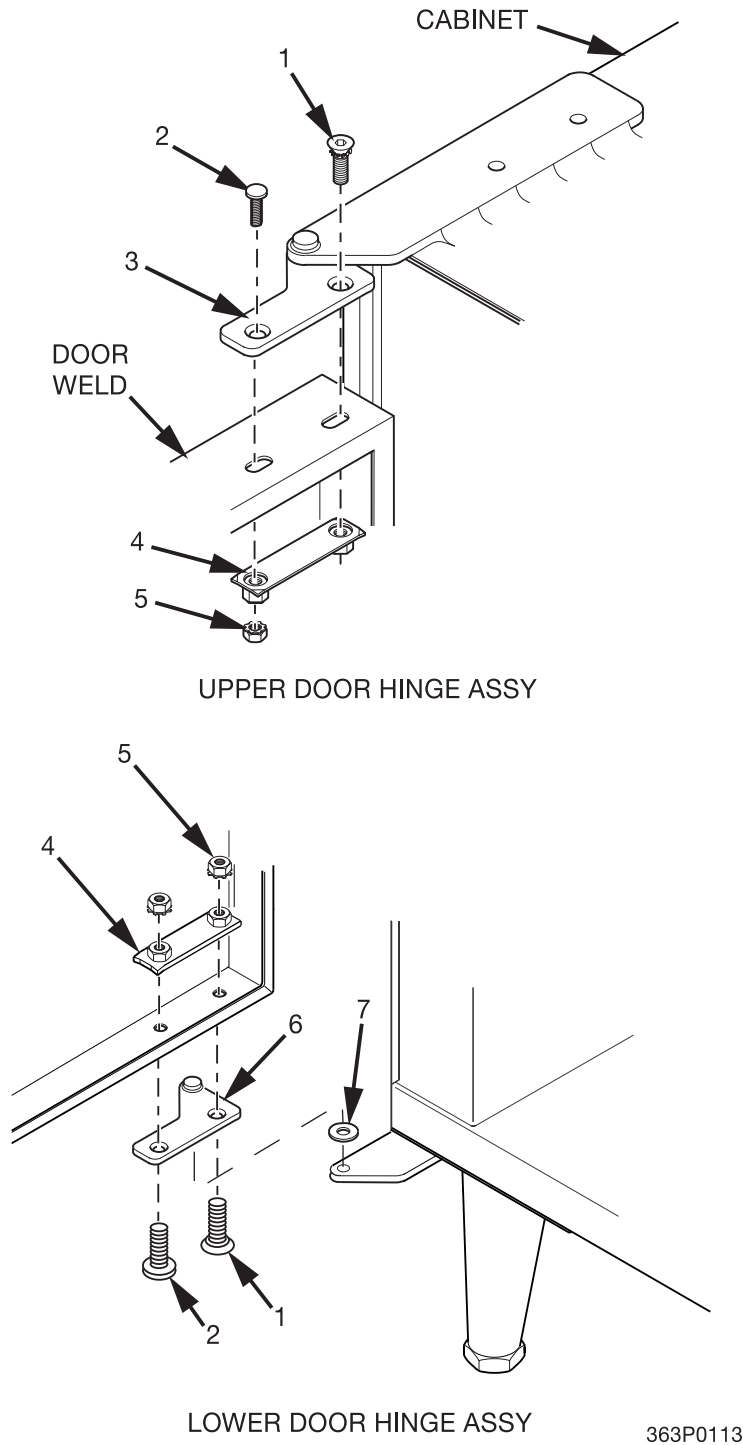


FIGURE 20: DOOR HINGE ASSEMBLIES

TABLE 20: DOOR HINGE ASSEMBLIES

INDEX	PART NUMBER	DESCRIPTION	QTY
1	6232036	SCREW - 5/16 - 18 X .75 FLT.HD SOCKET	2
2	6232208	WELD SCREW - #1/4-20 X 1" LG	2
3	1571098	HINGE ASSEMBLY - UPPER	1
4	6232028	PLATE ASSEMBLY - HINGE MOUNTING	2
5	1211105	1/4 - 20 KEPS NUT EXT LW ZP	2
6	6232031	HINGE ASSEMBLY - DOOR - LOWER	1
7	4242145	BEARING - THRUST - LOWER HINGE	1

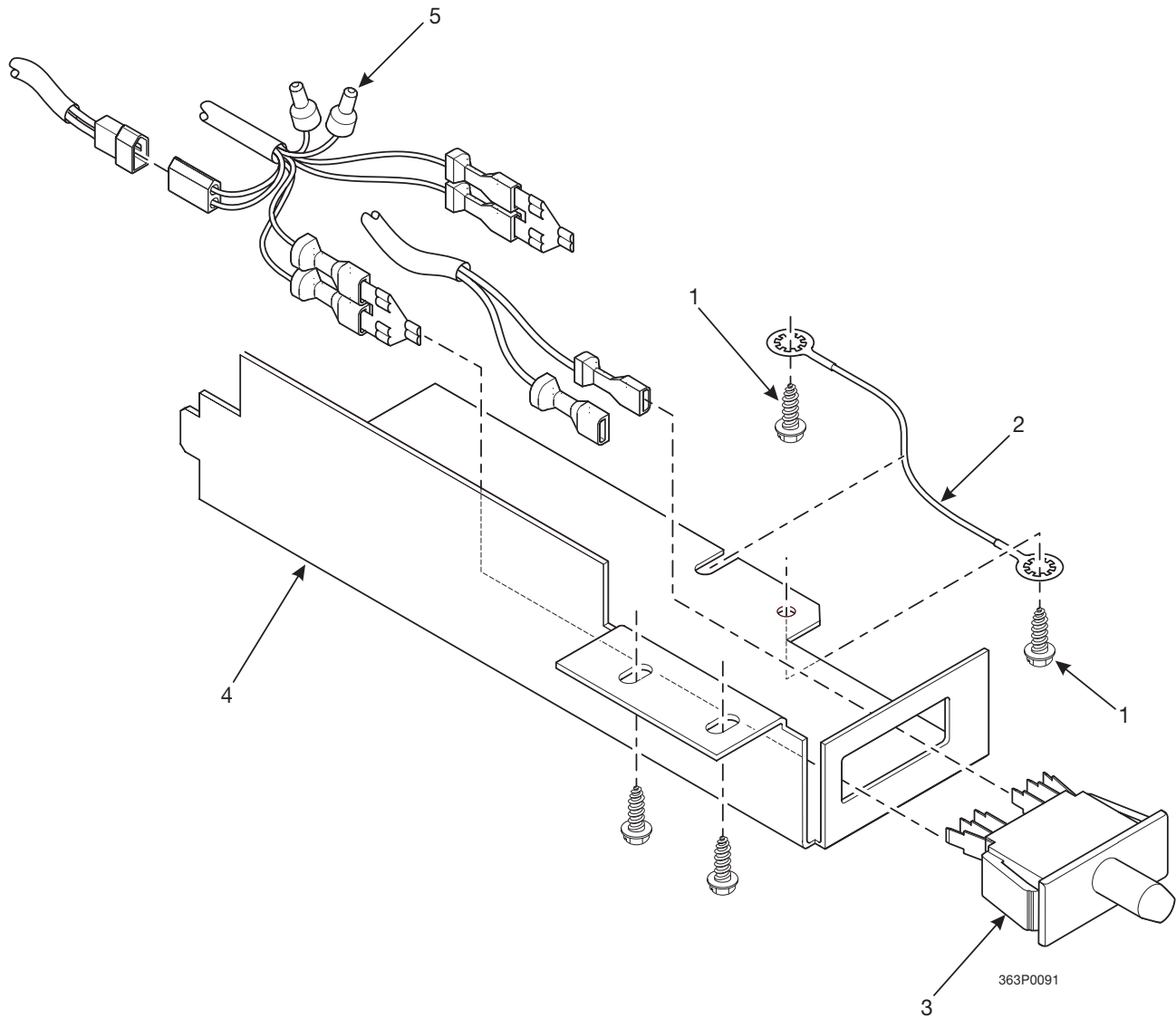
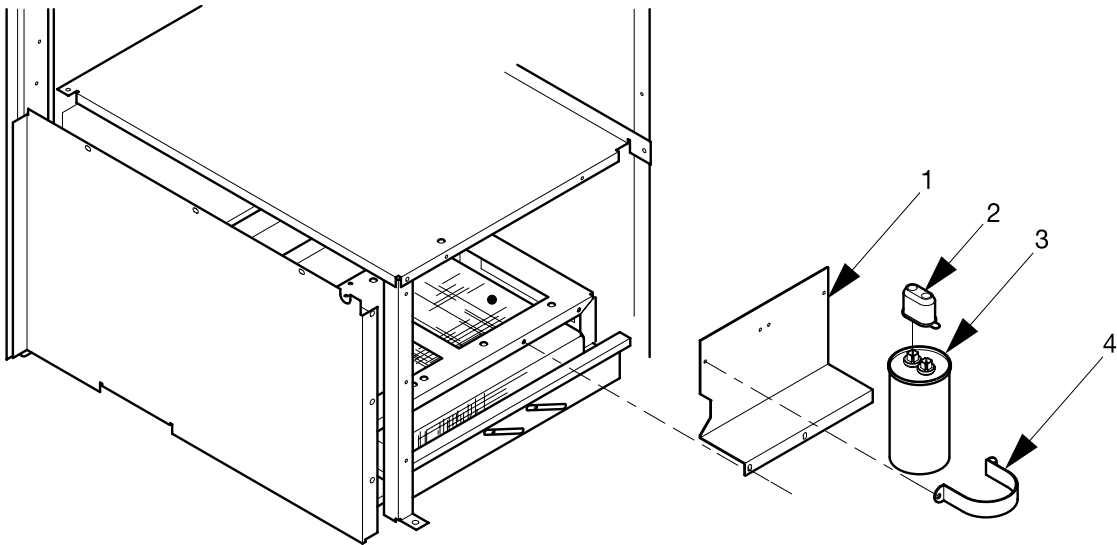


FIGURE 21: INTERLOCK SWITCH AND BRACKET

TABLE 21: INTERLOCK SWITCH AND BRACKET

INDEX	PART NUMBER	DESCRIPTION	QTY
1	3157060	SCREW - #8-32 X .31 HEX W/ HD.	--
2	9984094	WIRE - GROUND - 14"	1
3	2366135	SWITCH - INTERLOCK - INTERNATIONAL	1
	1211141	SWITCH - INTERLOCK - DOMESTIC	
4	1571021	BRACKET - SWITCH INTERLOCK	1
5	1579010	JUMPER - INTERLOCK - DOMESTIC	1

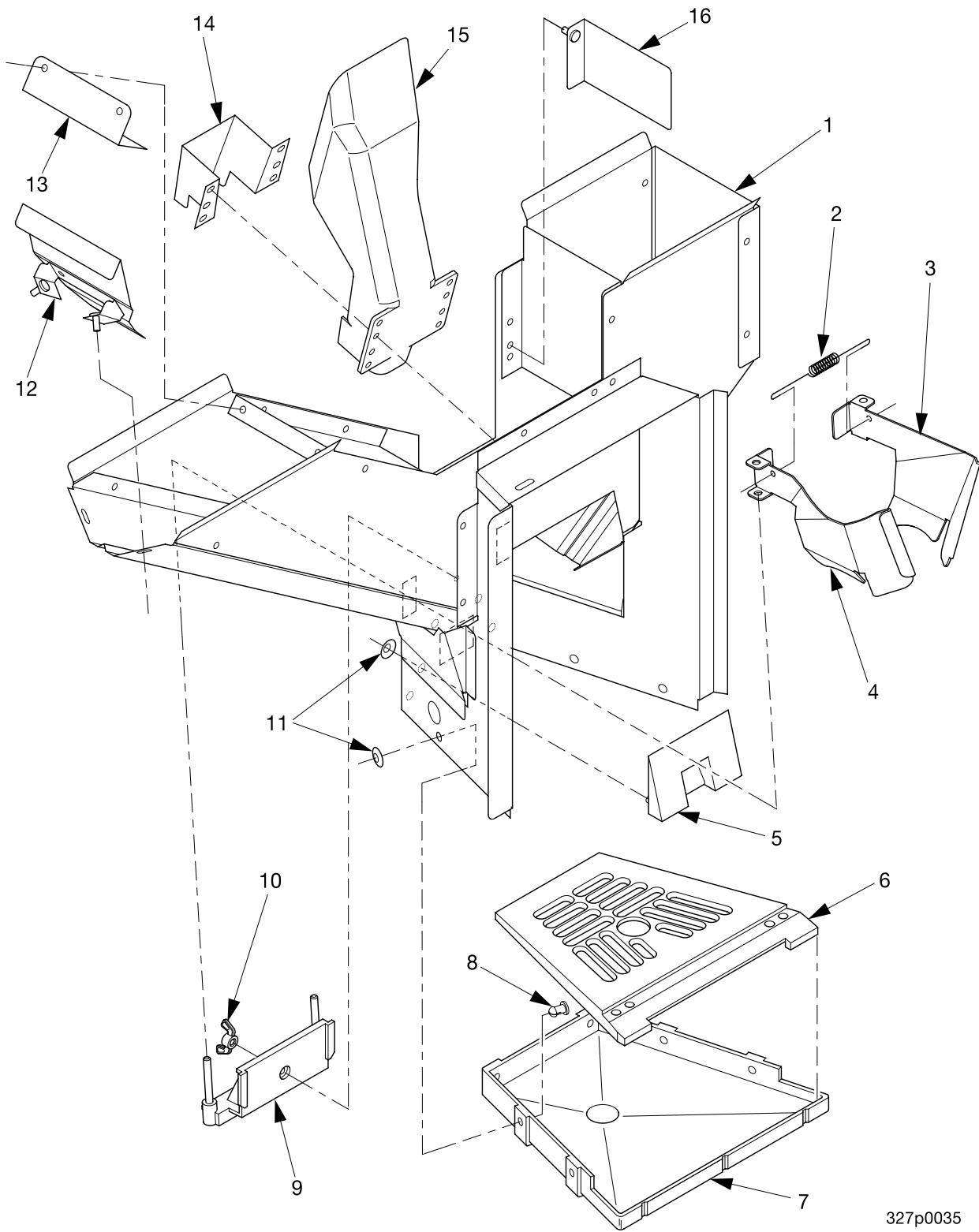


327p0045

FIGURE 22: CAPACITOR AND BRACKET ASSEMBLY

TABLE 22: CAPACITOR AND BRACKET ASSEMBLY

INDEX	PART NUMBER	DESCRIPTION	QTY.
--	3281048	CAPACITOR & BRACKET ASSEMBLY (115 V)	1
1	3281049	BRACKET - CAPACITOR MOUNTING	1
2	3638110	BOOT - PROTECTIVE - CAPACITOR	2
3	3638108	CAPACITOR - 120UF - 240 VAC	2
4	3638109	BRACKET - CAPACITOR	2

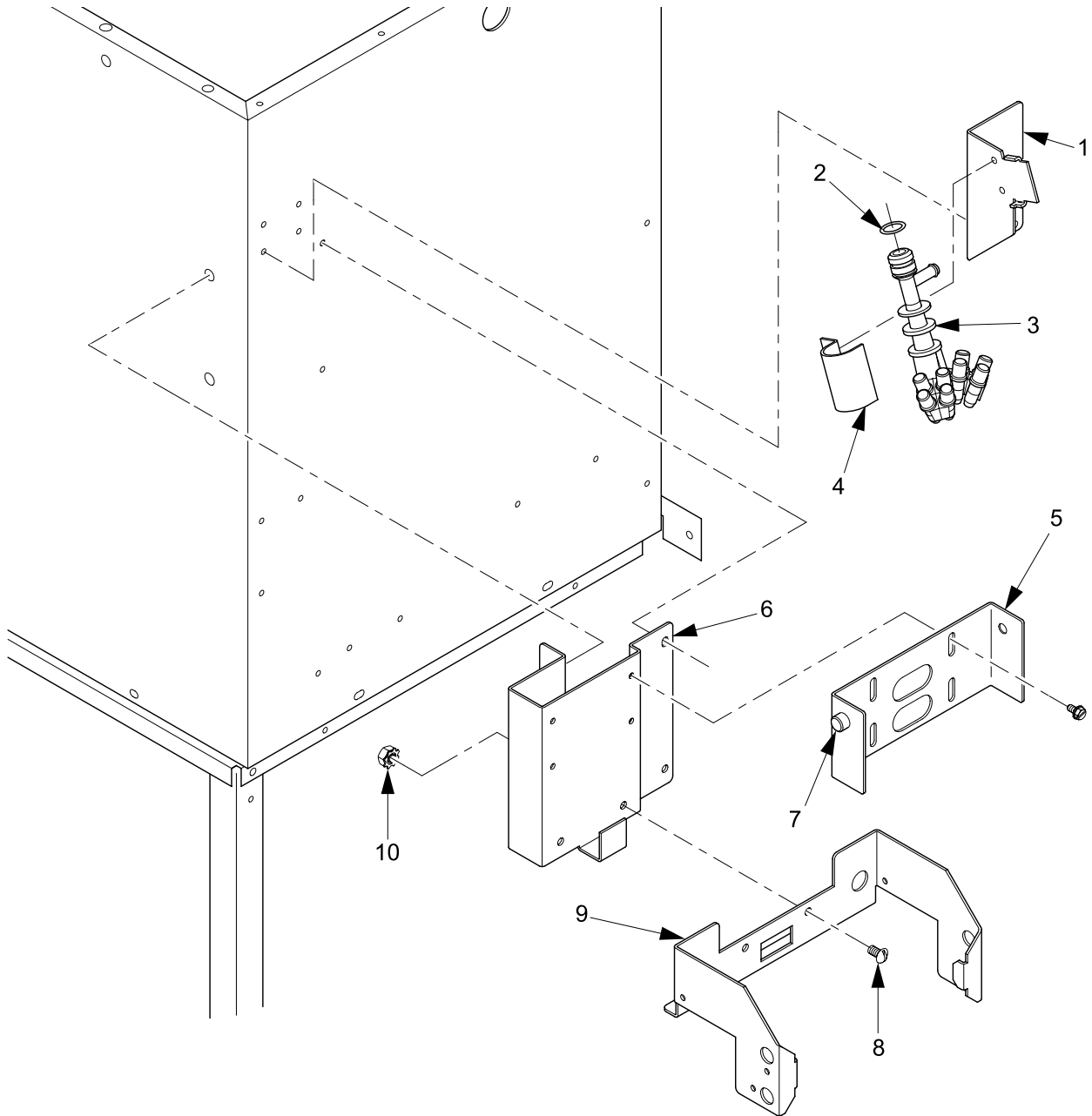


327p0035

FIGURE 23: CUP STATION ASSEMBLY

TABLE 23: CUP STATION ASSEMBLY

INDEX	PART NUMBER	DESCRIPTION	QTY
--	3283034	CUP DELIVERY - FINAL - 12/20 OZ. (INCLUDES INDEX: 1A, 2, 3A, 4A, 5-12, AND 14-16)	1
	3283065	CUP DELIVERY - FINAL - GERMAN - 12/20 OZ. (INCLUDES INDEX: 1B, 2, 3A, 4A, 5-12, AND 14-16)	
	3283079	CUP DELIVERY - FINAL - 12/20 OZ - SV	
	3283062	CUP DELIVERY - FINAL 9/12 OZ. (INCLUDES INDEX: 1A, 2, 3B, 4B, AND 5-16)	
	3283077	CUP DELIVERY - FINAL - 9/12 OZ - SV	
1	3283035	WELD ASSEMBLY - CUP COMPARTMENT (STANDARD)	1
	3283067	WELD ASSEMBLY - CUP COMPARTMENT-(GERMAN)	
2	6231495	SPRING - CUP DEFLECTOR	1
3	3283054	CUP DEFLECTOR - RIGHT (12/20 OZ)	1
	3283064	CUP DEFLECTOR - RIGHT - SMALL CUP (9/12 OZ)	
4	3283053	CUP DEFLECTOR - LEFT (12/20 OZ)	1
	3283063	CUP DEFLECTOR - LEFT - SMALL CUP (9/12 OZ)	
5	6231443	CUP SPACER/SENSOR LENS	1
6	6231432	DRAIN TRAY - CUP DELIVERY COMPARTMENT	1
7	6231489	BASE - CUP DELIVERY STATION	1
8	6231492	PUSH-IN FASTENER - CUP DELIVERY	6
9	6231488	MOUNTING ASSEMBLY - CUP DEFLECTOR	1
10	3103133	WING NUT #8-32 STAINLESS	4
11	6231431	RETAINER - .188 - CUP DEL.	10
12	3283055	DEFLECTOR ASSEMBLY - CHUTE	2
13	3283061	SPACER - LEFT (9/12 OZ)	1
14	3283051	EXTENSION - ICE CHUTE	1
15	3283050	ICE CHUTE - LOWER	1
16	3283059	SPACER ASSEMBLY - ADJUSTABLE	1

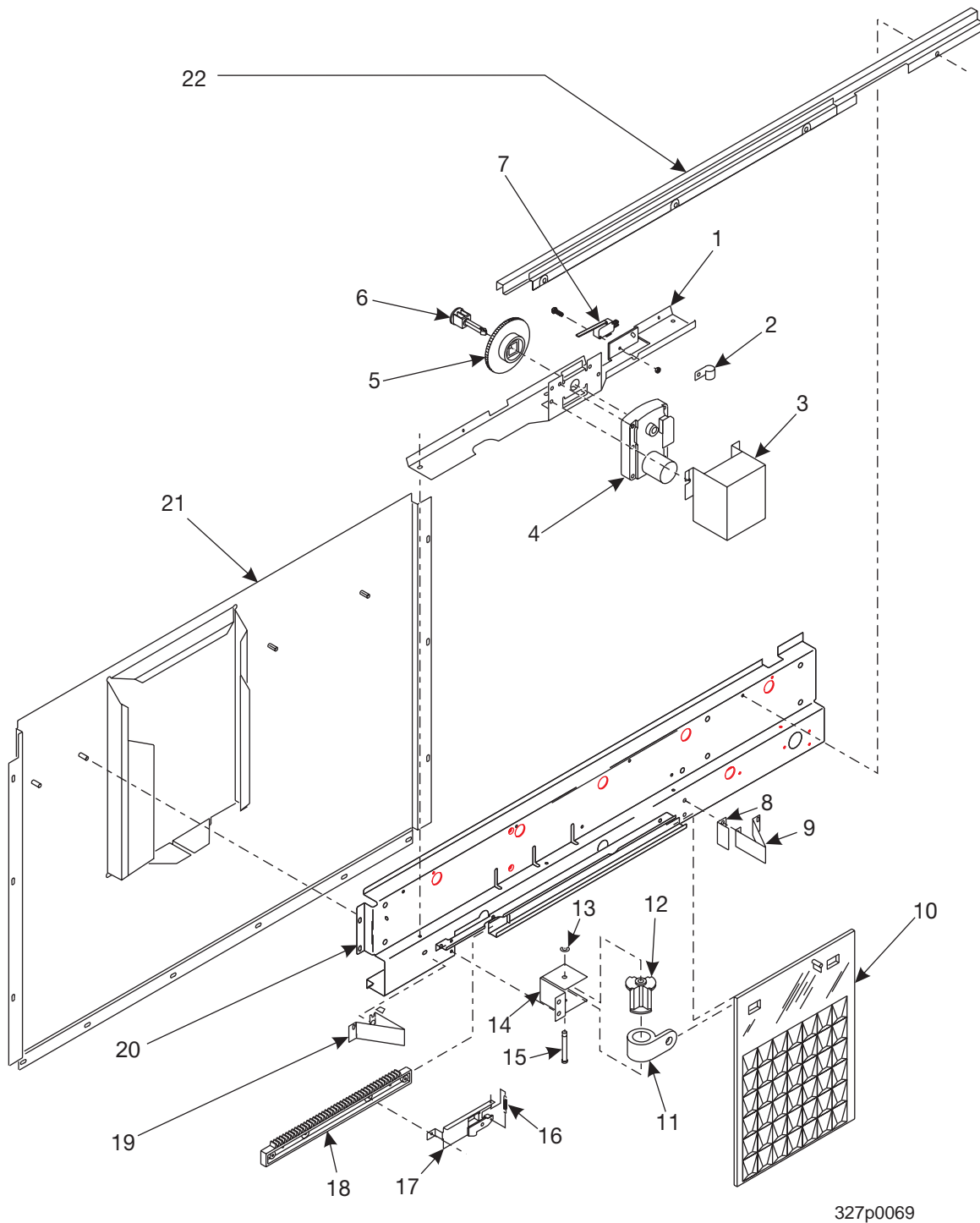


327p0029

FIGURE 24: MISCELLANEOUS CUP STATION COMPONENTS

TABLE 24: MISCELLANEOUS CUP STATION COMPONENTS

INDEX	PART NUMBER	DESCRIPTION	QTY
--	3288042	NOZZLE ASSEMBLY (INCLUDES INDEX 1-4)	REF
1	3288043	BRACKET - NOZZLE	1
2	3128127	O-RING WATER NOZZLE #013-7077	1
3	3288044	HOLDER & SPOUT ASSEMBLY	1
4	3617008	CLAMP - NOZZLE	1
5	3281074	MOUNTING ASSEMBLY - CUP STATION	1
6	3288016	SUPPORT - CUP COMPARTMENT	1
7	3281076	STUD - CUP STATION	2
8	1170206	SCREW - #8-32X3/8 PHILLIPS TRUSS HD.BLACK	2
9	3281085	BRACKET - IR REMOTE (USED WITH INDEX 12)	1 OPT
10	9900081	NUT #8-32 KEPS ZINC PLATE	2



327p0069

FIGURE 25: DELIVERY DOOR ASSEMBLY

TABLE 25: DELIVERY DOOR ASSEMBLY

INDEX	PART NUMBER	DESCRIPTION	QTY.	
			MAN	AUTO
--	3280843	AUTOMATIC DELIVERY DOOR	--	OPT
	6230804	MANUAL DELIVERY DOOR	OPT	--
1	6732059	BRACKET - AUTO DOOR	0	1
2	2342315	CLIP - WIRE HARNESS	0	1
--	3282028	MOTOR & BRACKET ASSEMBLY - VEND DOOR (INCLUDES ITEMS 1, 3-7)	0	1
3	3282025	COVER - MOTOR - VEND DOOR	0	1
4	1577038	MOTOR & PC BOARD ASSEMBLY	0	1
5	1477020	GEAR - TRAY	0	1
6	1477113	COUPLING - SPIRAL	0	1
7	5220108	SWITCH	0	1
8	6232096	STOP - DOOR VEND	1	1
9	3282027	BRACKET - CUP COMPARTMENT - RIGHT	1	1
10	6232065	DOOR - VEND	1	1
11	6232091	SPRING - VEND DOOR	1	1
12	6232084	SPOOL - SPRING	1	1
13	9900425	RETAINING RING REINF E TYP.250	1	1
14	6232089	HOUSING - SPRING	1	1
15	6232085	SHAFT - SPOOL	1	1
16	3108141	SPRING COVER AIR GAP	0	1
17	6732063	COUPLING PLATE ASSEMBLY	0	1
18	6234106	RACK - BREWER	0	1
DOOR ASSEMBLY COMPONENTS COMMON TO MANUAL AND AUTO DOORS				
19	3282026	BRACKET - CUP COMPARTMENT - LEFT	1	
20	3282008	BRACE - CUP MECHANISM	1	
21	3632139	CENTER PLATE ASSEMBLY	1	
22	3632017	MOUNT ASSEMBLY - LOWER	1	

THIS PAGE INTENTIONALLY LEFT BLANK

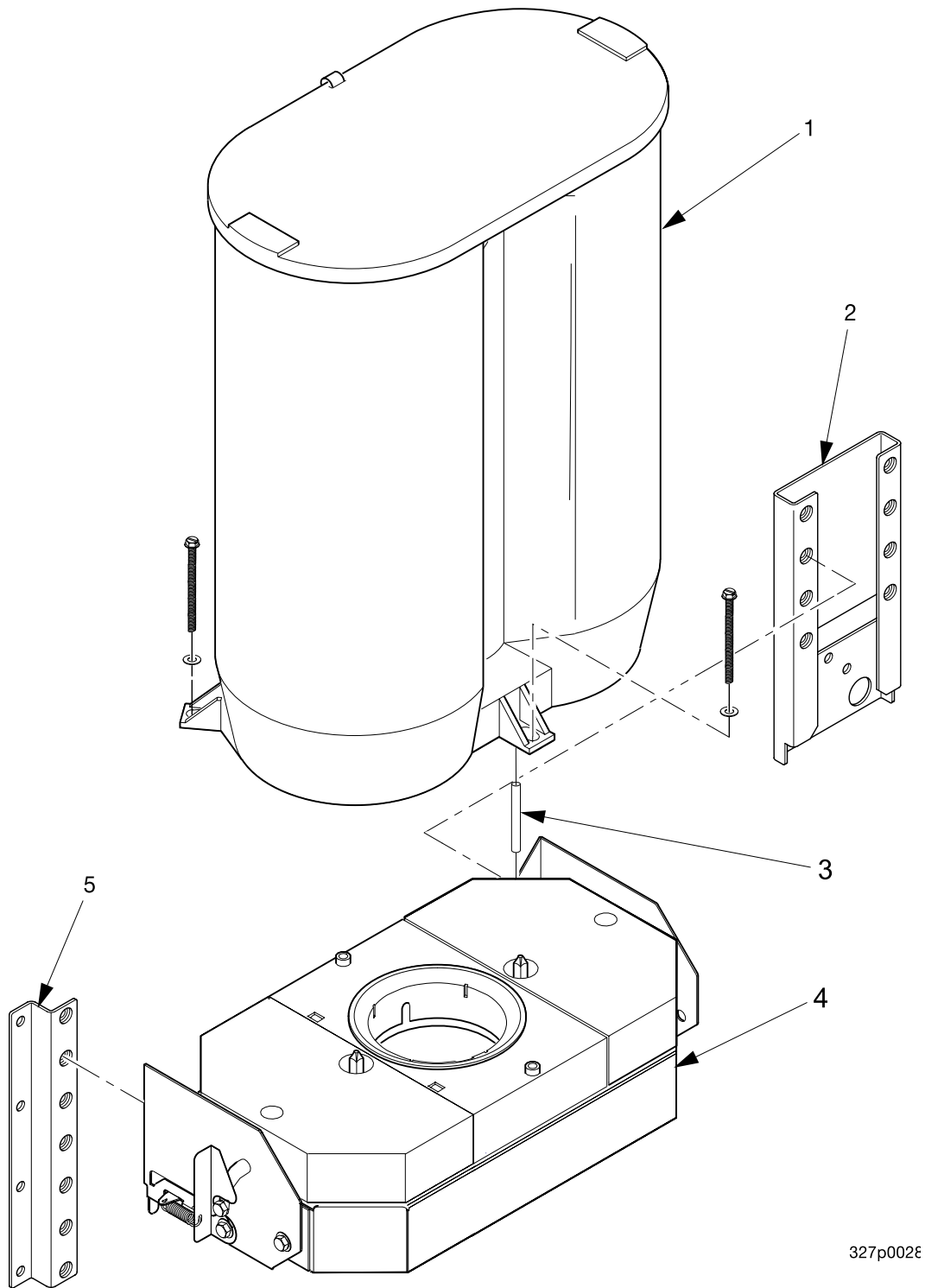
FIGURE 26: CENTER PLATE ASSEMBLIES

TABLE 26A: CENTER PLATE ASSEMBLY - COMMON

INDEX	PART NUMBER	DESCRIPTION	QTY.
--	3282007	CENTER PLATE ASSEMBLY - COMMON	--
1	3152045	FRAME - CUP DELIVERY DOOR	1
2	3282008	BRACE - CUP MECHANISM	1
3	3632007	TRIM - HORIZONTAL GLASS	1
4	3632139	CENTER PLATE ASSEMBLY	1
5	4277042	SCREW - #8-10 X.5 T/F-PHS	11
6	4747171	SCREW - #6-19 X .38 PHIL.PHS-T	4
7	6232012	TRIM - FILLER	1
8	6232078	NUT - SELF THREADING	2
9	6732060	TRACK - GEAR RACK	1
10	9900081	NUT #8-32 KEPS ZINC PLATE	3

TABLE 26B: CENTER PLATE ASSEMBLY - MILLENNIA

INDEX	PART NUMBER	DESCRIPTION	QTY.
--	3282009	CENTER PLATE ASSEMBLY - MILLENNIA	--
2	3282008	BRACE - CUP MECHANISM	1
4	3632139	CENTER PLATE ASSEMBLY	1
5	4277042	SCREW - #8-10 X.5 T/F-PHS	11
6	4747171	SCREW - #6-19 X .38 PHIL.PHS-T	4
8	6232078	NUT - SELF THREADING	2
9	6732060	TRACK - GEAR RACK	1
10	9900081	NUT #8-32 KEPS ZINC PLATE	3
11	1572269	SCREW - #6-19 X .50 HEX W/HD	45
12	3632131	TRIM - HORIZONTAL - PAINTED	1
13	3632134	SPACER - LIGHT BRACKET	1
14	3632203	HORIZONTAL TRIM - 42" TWIN-"R2"	1

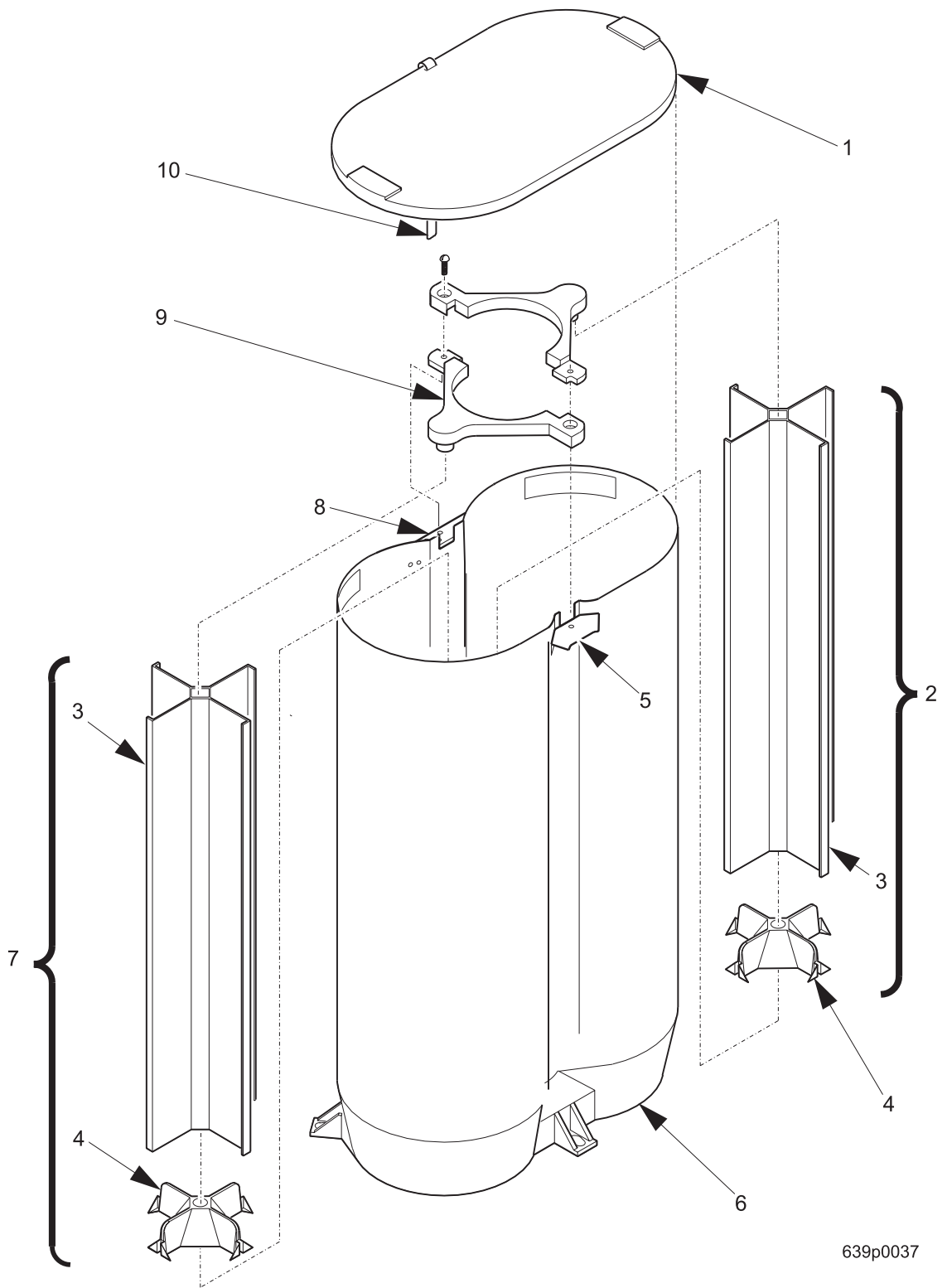


327p002E

FIGURE 27: MECHANISM AND CANISTER ASSEMBLY - SHORT

TABLE 27: MECHANISM AND CANISTER ASSEMBLY - SHORT

INDEX	PART NUMBER	DESCRIPTION	QTY.
--	3283071	MECHANISM & CANISTER ASSEMBLY - 7 COL - 7/12 OZ	1
	3283080	MECHANISM & CANISTER ASSEMBLY - 7 COL - 7/12 OZ	
1	3283072	TURRET & CANISTER ASSEMBLY - 7 COL - 7/12 OZ	1
2	3282006	BRACKET - CUP MECHANISM - CENTER	1
3	6263002	SPACER	2
4	6263001	MECHANISM ASSEMBLY - 7 COLUMN	2
	3283081	MECHANISM ASSEMBLY - 7 COLUMN - 7/12 OZ	
5	3282005	BRACKET - CUP MECH - R & L	2

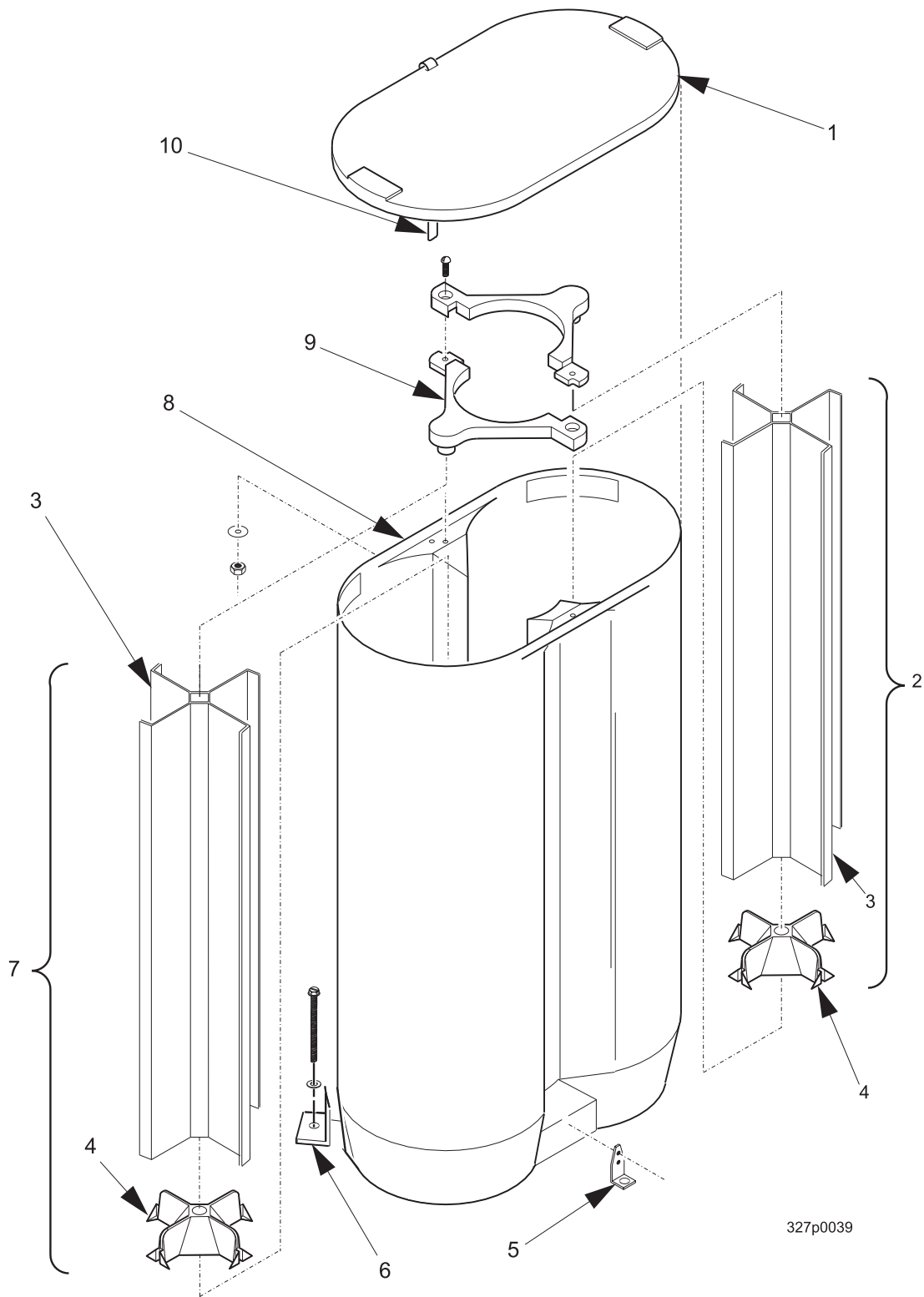


639p0037

FIGURE 28: TURRET AND CANISTER ASSEMBLY - SHORT

TABLE 28: TURRET AND CANISTER ASSEMBLY - SHORT

INDEX	PART NUMBER	DESCRIPTION	QTY.
--	3283072	TURRET & CANISTER ASSEMBLY - 7 COL - 7/12 OZ	1
1	6333018	LID CANISTER - 7 COLUMN	1
2	3283075	TURRET ASSEMBLY - 1B - SHORT (ITEMS 3 & 4)	1
3	3283074	VANE - CANISTER - SMALL	2
4	6233048	BASE - TURRET	2
5	3283009	BRACKET - BEARING - BACK	1
6	3283076	CANISTER SMALL CUP - 7 COLUMN	1
7	3283073	TURRET ASSEMBLY - 1A - SHORT (ITEMS 3 & 4)	1
8	3283008	BRACKET - BEARING - FRONT	1
9	6233030	BEARING - TURRET TOP	2
10	3283022	STRAP - CANISTER	1

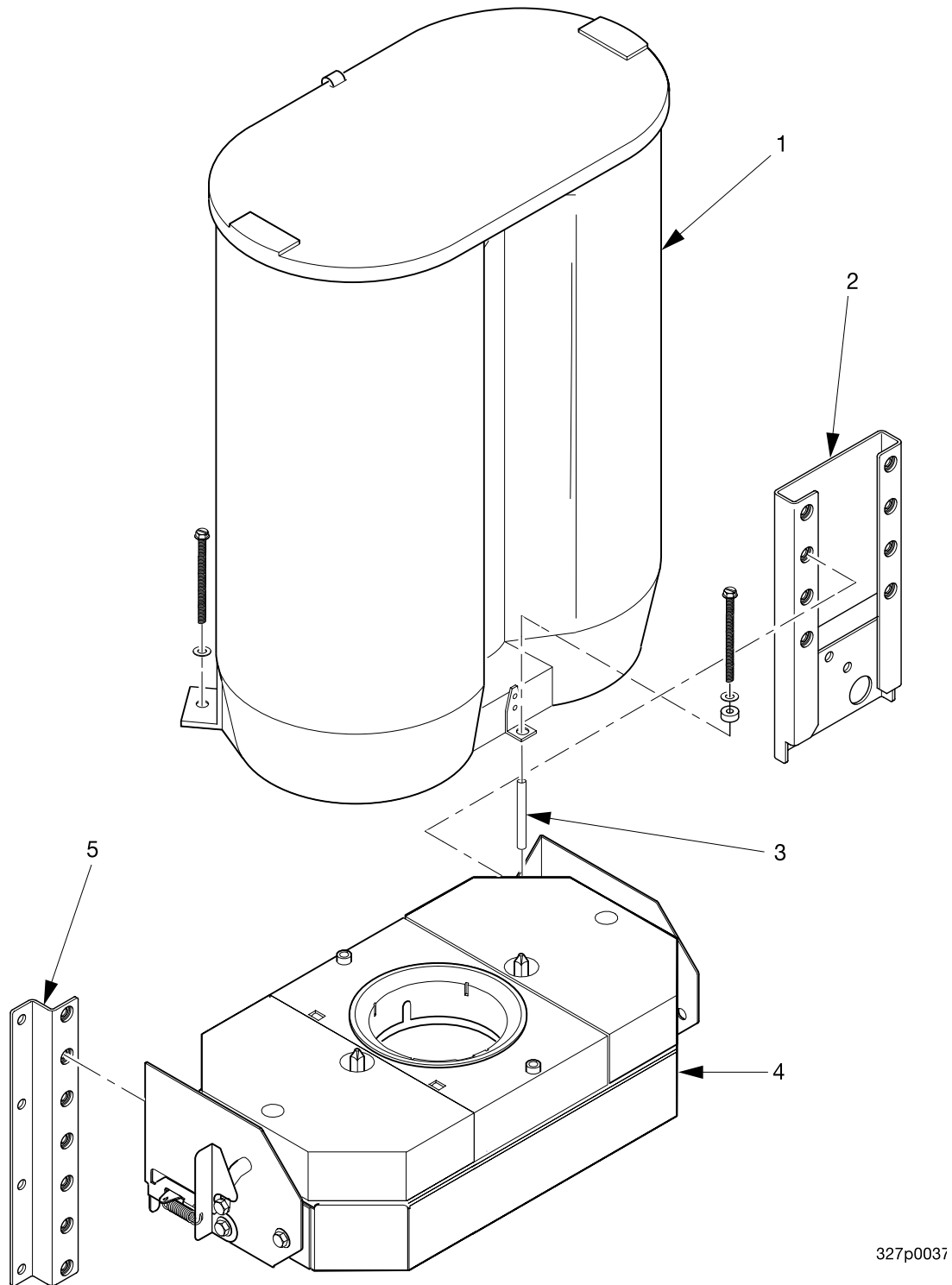


327p0039

FIGURE 29: MECHANISM AND CANISTER ASSEMBLY - LARGE

TABLE 29: MECHANISM AND CANISTER ASSEMBLY - LARGE

INDEX	PART NUMBER	DESCRIPTION	QTY.
--	3283006	TURRET & CANISTER ASSEMBLY - 7 COLUMN	1
1	3283032	LID CANISTER - 7 COLUMN	1
2	3283015	TURRET ASSEMBLY - 1B (ITEMS 3 & 4)	1
3	3283069	VANE - CANISTER - LARGE	2
4	6233048	BASE - TURRET	2
5	3283002	BRACKET - CANISTER - CENTER	2
6	3283013	BRACKET - CANISTER - R & L	2
7	3283014	TURRET ASSEMBLY - 1A (ITEMS 3 & 4)	1
8	3283031	CANISTER LARGE CUP 7 COLUMN	1
9	3633008	BEARING - TURRET TOP	2
10	3283022	STRAP - CANISTER	1

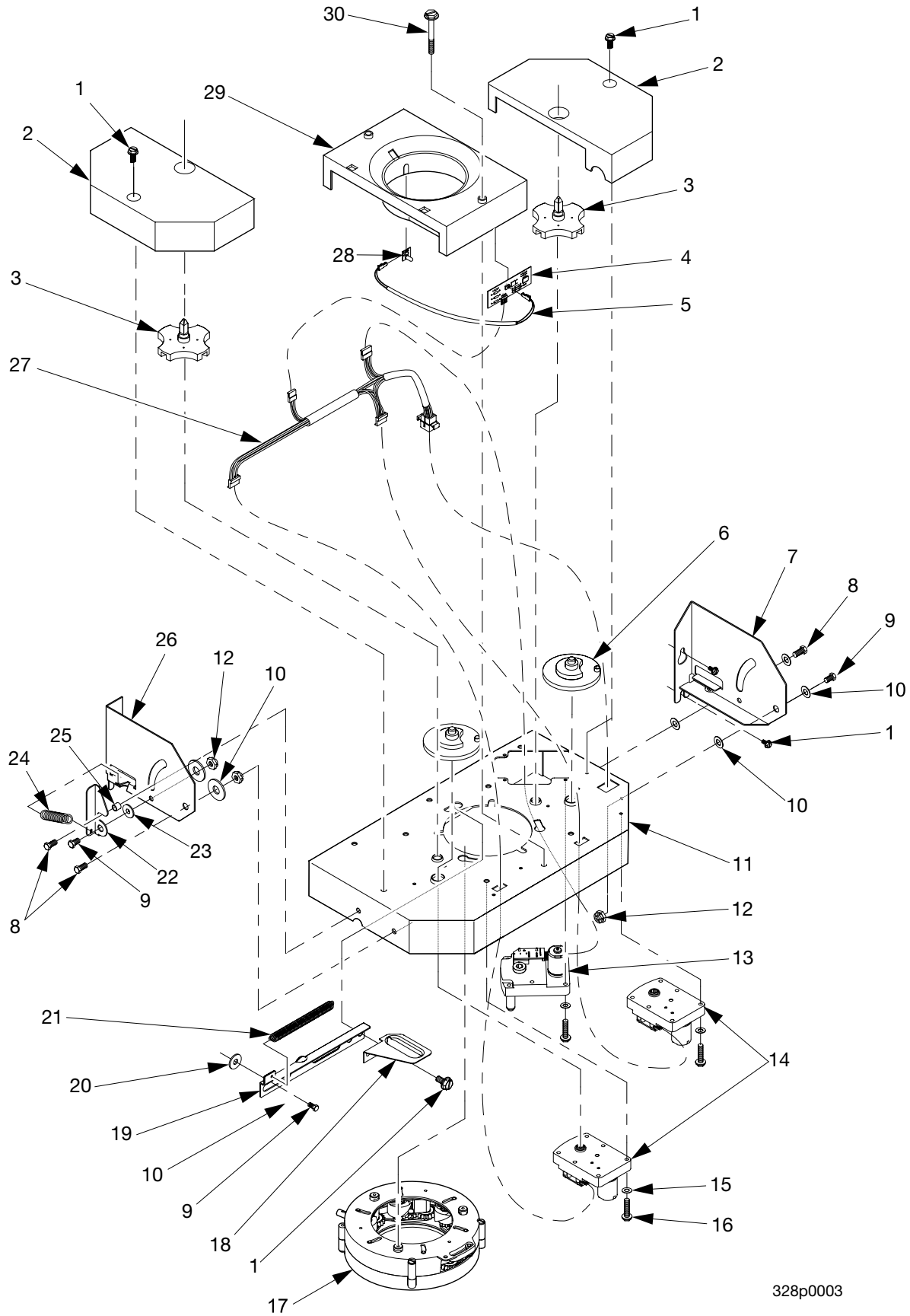


327p0037

FIGURE 30: TURRET AND CANISTER ASSEMBLY - LARGE

TABLE 30: TURRET AND CANISTER ASSEMBLY - LARGE

INDEX	PART NUMBER	DESCRIPTION	QTY.
--	3283000	MECHANISM & CANISTER ASSEMBLY - 7 COLUMN - 18/20 OZ	1
1	3283006	TURRET & CANISTER ASSEMBLY - 7 COLUMN	1
2	3282006	BRACKET - CUP MECHANISM - CENTER	1
3	3283004	SPACER	2
4	3283018	MECHANISM ASSEMBLY - 18 OZ - 7 COLUMN	1
5	3282005	BRACKET - CUP MECHANISM - R & L	2



328p0003

FIGURE 31: MECHANISM ASSEMBLY

TABLE 31: MECHANISM ASSEMBLY

INDEX	PART NUMBER	DESCRIPTION	QTY.
--	6263001	MECHANISM ASSEMBLY - 7 COLUMN	1
	3283018	MECHANISM ASSEMBLY - 18 OZ - 7 COLUMN	
	3283021	MECHANISM ASSEMBLY - 16 OZ - 7 COLUMN - ANTITHEFT	
1	1451097	SCREW - #8-32X.31 HEX HD.TF - BLACK	--
2	6233010	COVER - END	2
3	6233014	INDEX PLATE - GENEVA	2
4	6233105	PCB ASSEMBLY - DETECTOR CUP SENSOR	1
5	6233106	HARNESS - CUP DETECTOR/LED JUMPER	1
6	6233013	DRIVER - GENEVA	2
7	6233019	BRACKET - MECHANISM MOUNTING - LEFT	1
8	1141054	SCREW - 1/4-20 X 3/4 HEX HD ZP	3
9	6233021	SCREW - 1/4 X 20 X .5 HEX HD	3
10	6404034	WASHER - .687 O.D. X .265 I.D. X .050	6
11	6263003	PLATE - BASE - 7 COLUMN	1
12	4041241	NUT - 1/4-20 - SELF LOCKING	4
13	6233056	MOTOR & CRANK ARM ASSEMBLY (INCLUDES NEXT 2 ITEMS)	1
--	6233058	CRANK ARM & ROLLER ASSEMBLY	1
14	1577038	MOTOR & PC BOARD ASSEMBLY	2
15	9900121	WASHER STEEL 7/16 X.203 X.032	12
16	1457027	SCREW - #8-32 X .81 HEX HD.-T/F	12
17	6333008	CUP RING ASSEMBLY - UNIVERSAL	1
	3143005	CUP RING ASSEMBLY - 7/12 OZ	
	3283023	CUP RING ASSEMBLY - ANTITHEFT - 5/20	
--	6233057	MOUNTING BRACKET ASSEMBLY - RIGHT (INCLUDES ITEMS 1, 9,10, 18-21)	1
18	3283058	CAM	1
19	6233032	ACTUATOR - CUP RING	1
20	9900034	WASHER STEEL 3/8 X.170 X.032	1
21	4733035	SPRING - CUP RELEASE ARM	1
22	6233037	LATCH	1
23	6233028	BUSHING	1
24	2301057	SPRING ELEVATOR STOP	1
25	6233062	SPACER - .260IDX.34ODX.312	1
26	6233018	BRACKET - MECHANISM MOUNTING - RIGHT	1
27	6269013	HARNESS - CUP MECHANISM	1
28	6233107	PCB ASSEMBLY - DETECTOR CUP SENSOR	1
29	6233012	COVER - CENTER	1
30	6233077	BOLT - #1/4X20X2.38 HHS	2

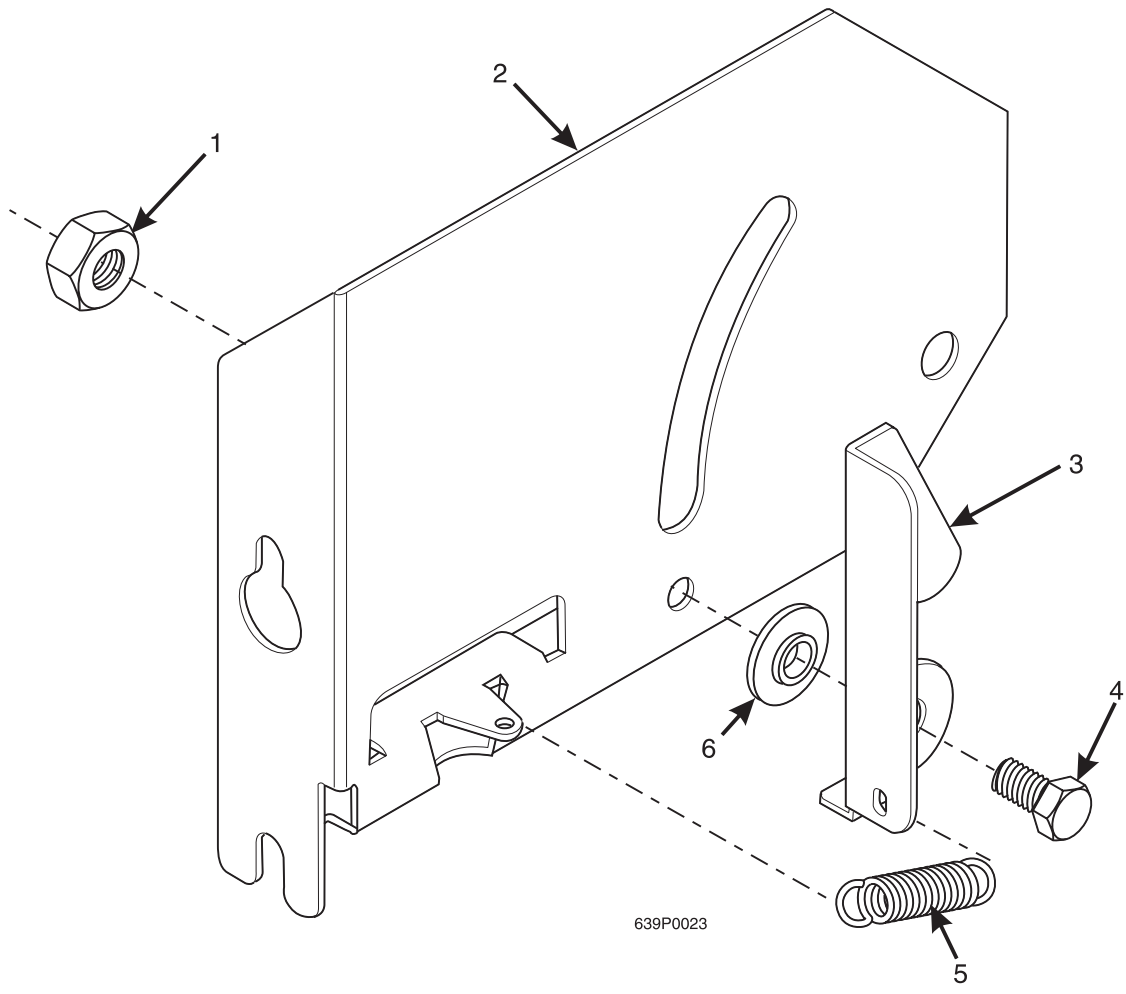


FIGURE 32: CUP MECHANISM MOUNTING BRACKET ASSEMBLY

TABLE 32: CUP MECHANISM MOUNTING BRACKET ASSEMBLY

INDEX	PART NUMBER	DESCRIPTION	QTY.
--	6233057	MOUNTING BRACKET ASSEMBLY - RIGHT (SHOWN)	REF
1	4041241	NUT - 1/4 20 SELF LOCKING	1
2	6233018	BRACKET - MECHANISM MOUNTING - RIGHT	1
--	6233019	BRACKET - MECHANISM MOUNTING - LEFT (NOT SHOWN)	1
3	6233037	LATCH	1
4	6233021	SCREW-1/4 X 20 X .5 HEX HD	1
5	2301057	SPRING ELEVATOR STOP	1
6	6233028	BUSHING	1

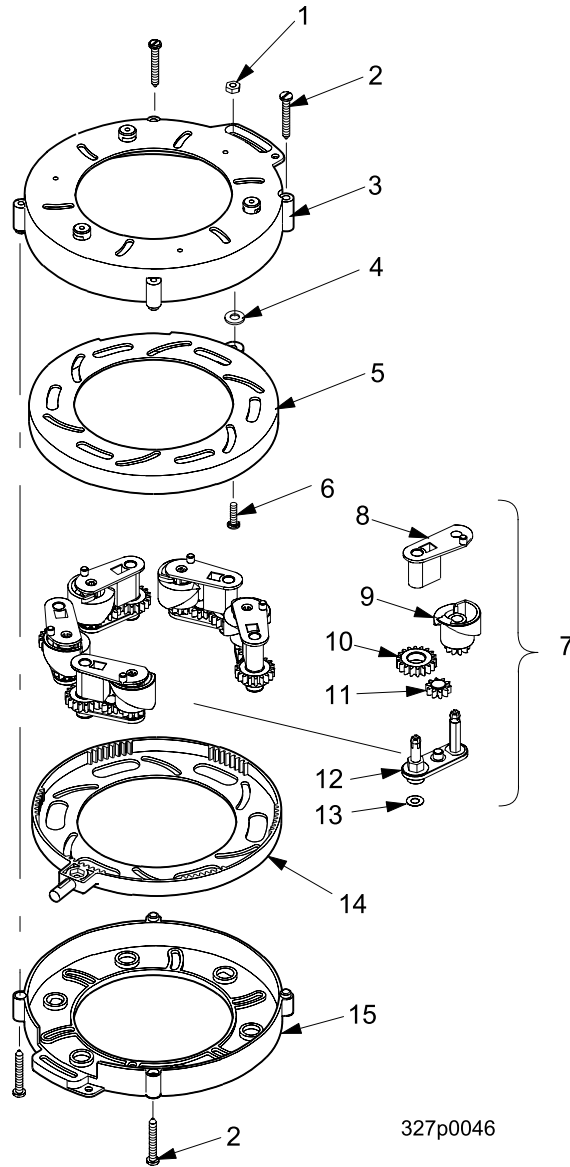
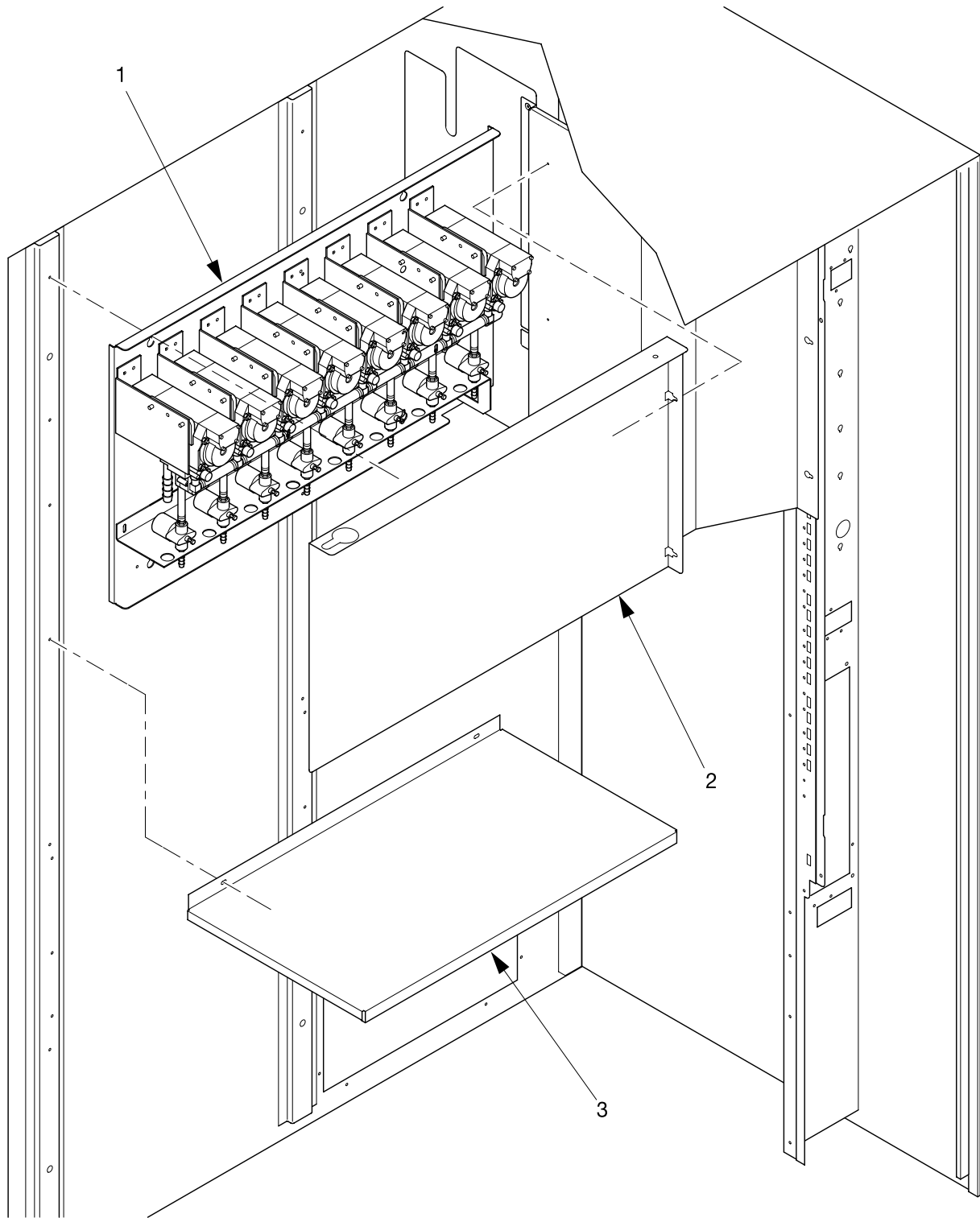


FIGURE 33: CUP RING ASSEMBLY

TABLE 33: CUP RING ASSEMBLY

INDEX	PART NUMBER	DESCRIPTION	QTY.
--	3142138	CUP RING ASSEMBLY - UNIVERSAL	1
	3143005	CUP RING ASSEMBLY - 7/12 OZ	
	3283023	CUP RING ASSEMBLY - ANTITHEFT - 5/20	
1	6333020	NUT #8-32 SELF LOCKING	1
2	6332052	SCREW - #8-16 X 1.25 PHS - PLASTITE	4
3	6333004	HOUSING - CUP RING	1
4	6114121	WASHER ROLLER	1
5	6333011	ADJUSTER RING - INTERNAL	1
6	3143009	SCREW #8-32 X .50 PHS W/LW	1
7	6333007	CAM & GEAR ASSEMBLY (ITEMS 8-12)	6
8	6333006	RETAINER - CAM	6
9	6333012	CAM - CUP - UNIVERSAL	6
10	6233126	GEAR - 18 TOOTH	6
11	6233127	GEAR - 10 TOOTH	6
12	6333005	ARM - CAM	6
13	6234628	WASHER - PAPER MECHANISM	6
14	6333010	GEAR RING - INTERNAL	1
15	6333009	HOUSING - CUP RING	1



327p0038

FIGURE 34: SYRUP PUMP ASSEMBLY

TABLE 34: SYRUP PUMP ASSEMBLY

INDEX	PART NUMBER	DESCRIPTION	QTY.
1	--	SYRUP PUMP ASSEMBLIES - GAS (SEE TABLE 38 FOR DETAILS)	--
2	3281065	COVER - SYRUP PUMPS - FOREIGN	1
3	3287123	SHELF - BAG IN BOX.	3

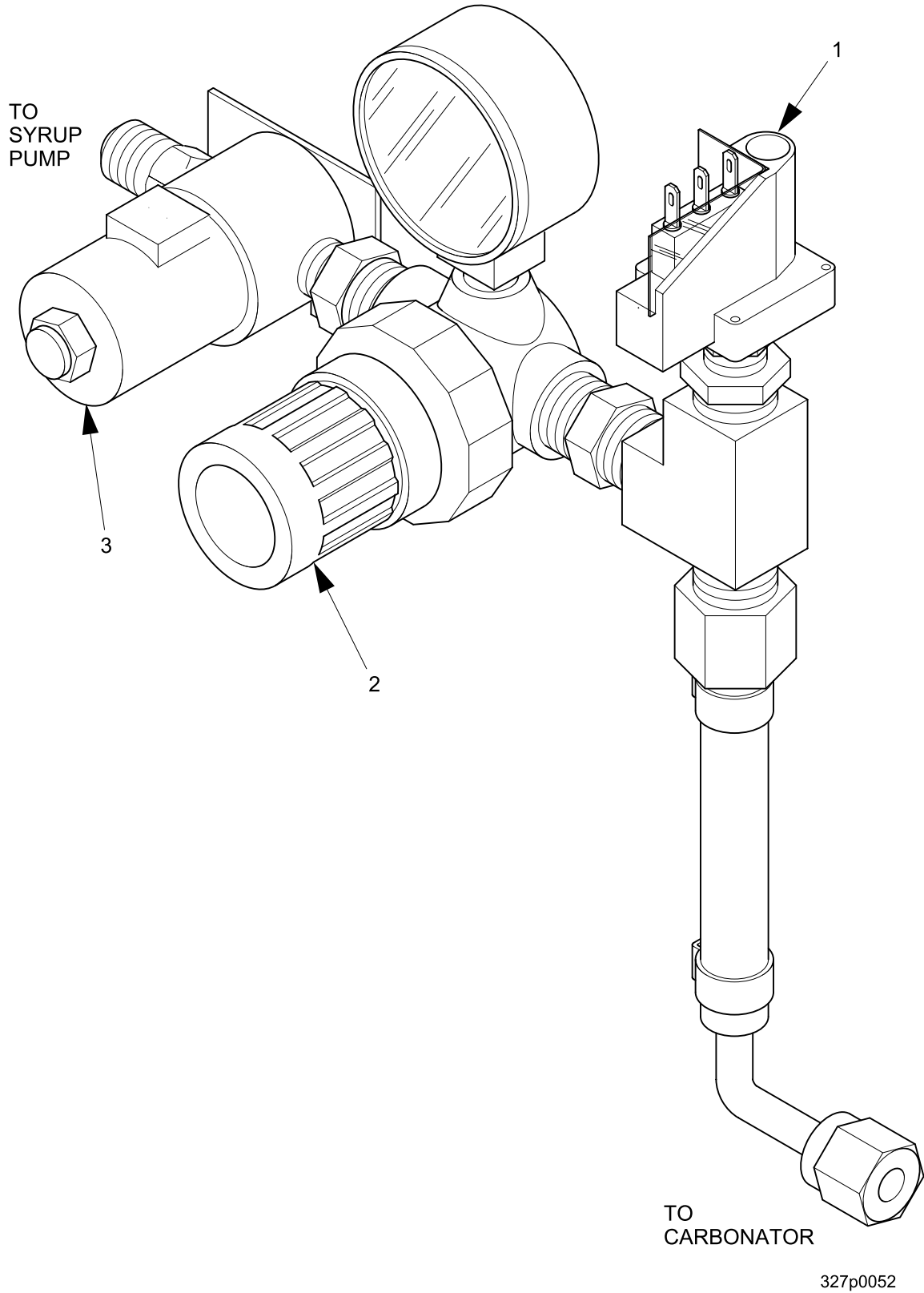


FIGURE 35: SYRUP PUMP CO₂ REGULATOR ASSEMBLY

TABLE 35: SYRUP PUMP CO₂ REGULATOR ASSEMBLY

INDEX	PART NUMBER	DESCRIPTION	QTY
--	3287005	CO2 REGULATOR ASSEMBLY - SYRUP PUMP - 115V	REF
	3287115	CO2 REGULATOR ASSEMBLY - SYRUP PUMP - 230V	
1	3167129	SWITCH - PRESSURE - B.I.B.	1
2	3167124	SECONDARY REGULATOR & GAUGE ASSEMBLY	1
3	3287006	VALVE ASSEMBLY - CO2 CUT OFF - 115V	1
	3287116	VALVE ASSEMBLY - CO2 CUT OFF - 230V	

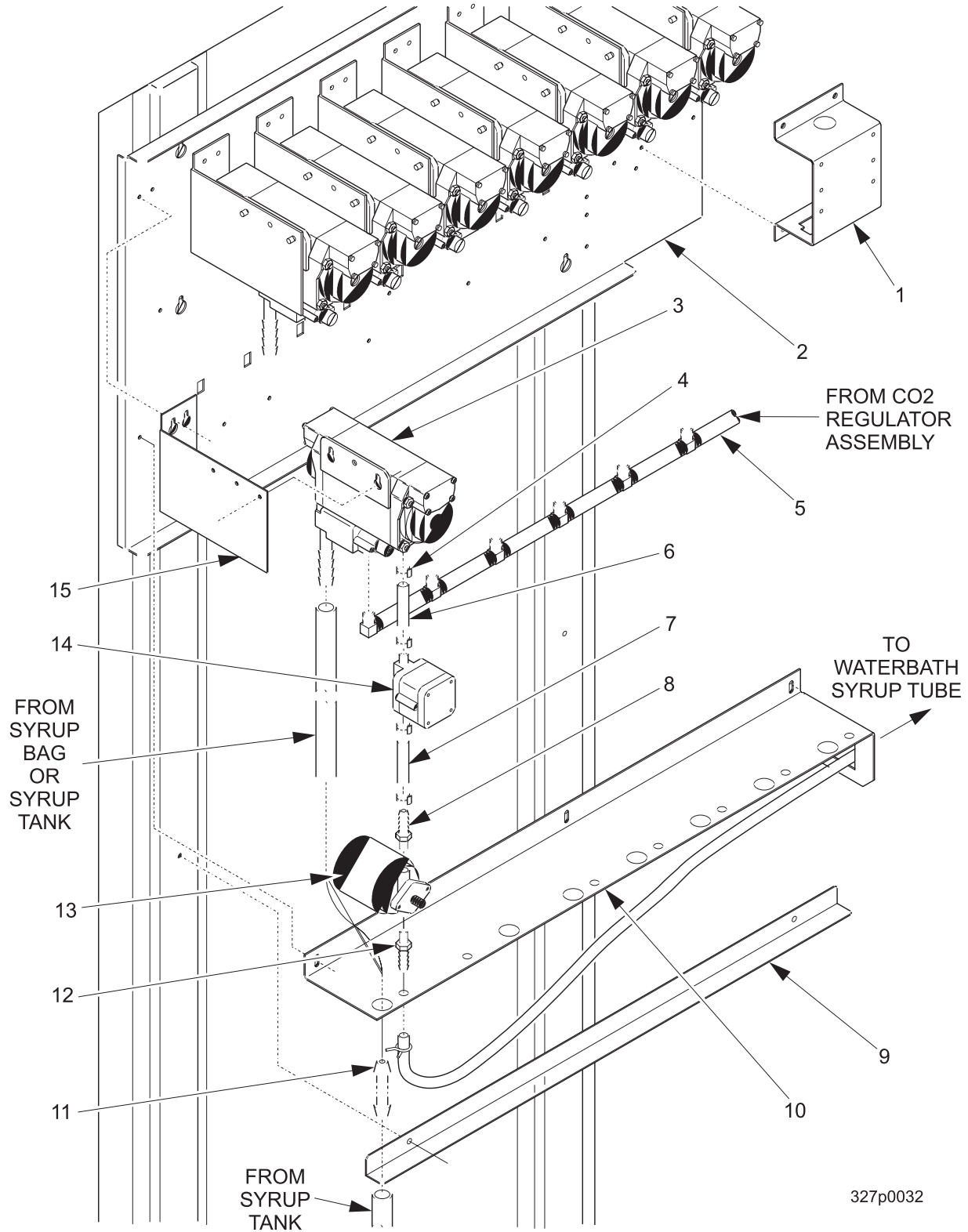
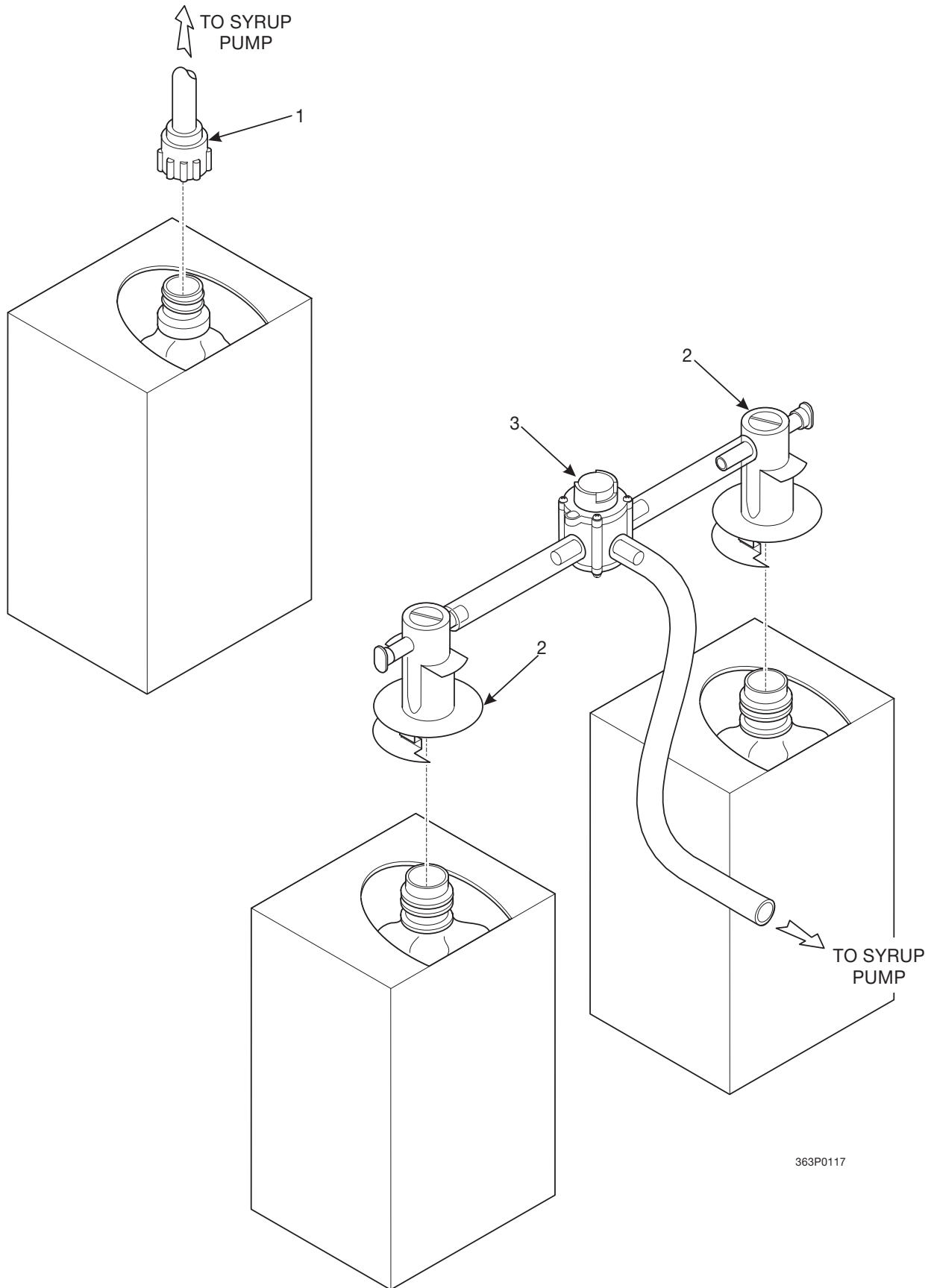


FIGURE 36: GAS ASSIST SYRUP PUMP AND BRACKET ASSEMBLY

Cold Drink Center Parts Manual Section E: Syrup Pump and Carbonator

TABLE 36: GAS ASSIST SYRUP PUMP AND BRACKET ASSEMBLY

INDEX	PART NUMBER	DESCRIPTION	QTY
1	3287003	CHANNEL - FILTER HEAD MOUNTING	1
2	3287001	MOUNTING PLATE -SYRUP PUMP	1
--	3167029	PUMP ASSY-SINGLE (ELBOW) (ITEMS 3, 15)	--
	3167006	PUMP ASSY-SINGLE (TEE) (ITEMS 3, 15)	
3	3167001	PUMP - CO2 - B.I.B. - ELBOW - FLOJET (FAR LEFT PUMP)	1
	3167007	PUMP - CO2 - B.I.B. - TEE - FLOJET (ALL OTHER PUMPS)	5 OR 7
4	3167103	CLAMP - OETIKER 12.3	4
5	3287008	CO2 MANIFOLD ASSEMBLY - 6 PUMP	1
	3287114	CO2 MANIFOLD ASSEMBLY - 8 PUMP	
--	3167111	PRODUCT OUTLET ASSEMBLY - BOTTOM PUMPS (INCLUDES INDEX 4, 6-8, 12-14)	6 OR 8
6	3167107	TUBE - 1/4-PROD OUT 1	1 PER ASSY
7	3167108	TUBE - 1/4 - PROD OUT 2	1 PER ASSY
8	3167014	ADAPTOR - CHUDNOW #S27-42, S.S.	1 PER ASSY
9	3281044	ANGLE - TUBE LOCATOR (TANK OPTIONS)	1
10	3287002	BRACKET - MOUNTING - SOLENOID VALVE	1
11	3638079	FITING - BARBD - #E-30801 - 42 WHITE (TANK OPTIONS)	6 OR 8
12	3167128	FITTING PARKER #P4MCB2 - 1/8 NPT X 1/4 B	1 PER ASSY
13	3167066	VALVE - SYRUP - PREDYNE	1 PER ASSY
14	3167109	SWITCH - VACUUM-SLD OUT 2095-532 - FLOJET	1 PER ASSY
15	3167101	BRACKET - MOUNTING - SYRUP PUMP	6 OR 8



363P0117

FIGURE 37: BAG-IN-BOX CONNECTORS

TABLE 37: BAG-IN-BOX CONNECTORS

INDEX	PART NUMBER	DESCRIPTION	QTY.
1	3167123	FITTING - BIB - COKE - # P37-SBB-KHN TUTHILL/HANSEN, 3/8"CONNECTION	--
2	3167151	FITTING - LIQUID BOX - QC/D, FOXX # 15F01-119,022396	1
3	3167122	VALVE - TRANSFER - FLOJET # 1500-031 BOX=12, CASE=144	1

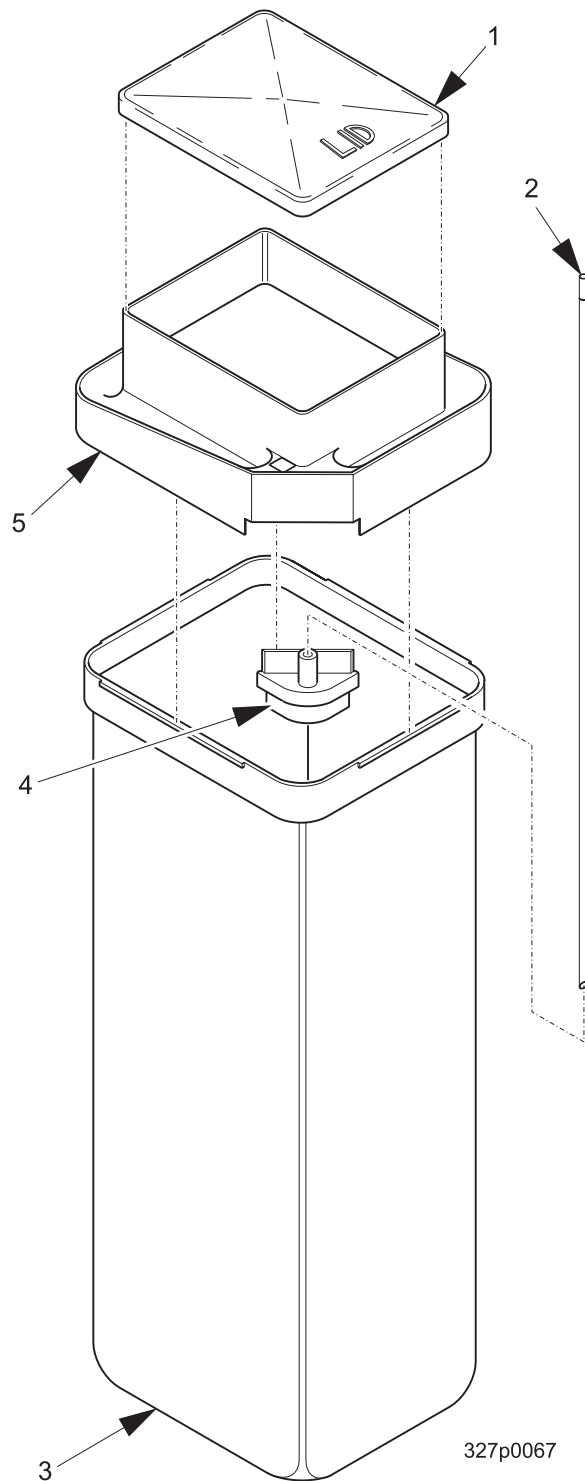
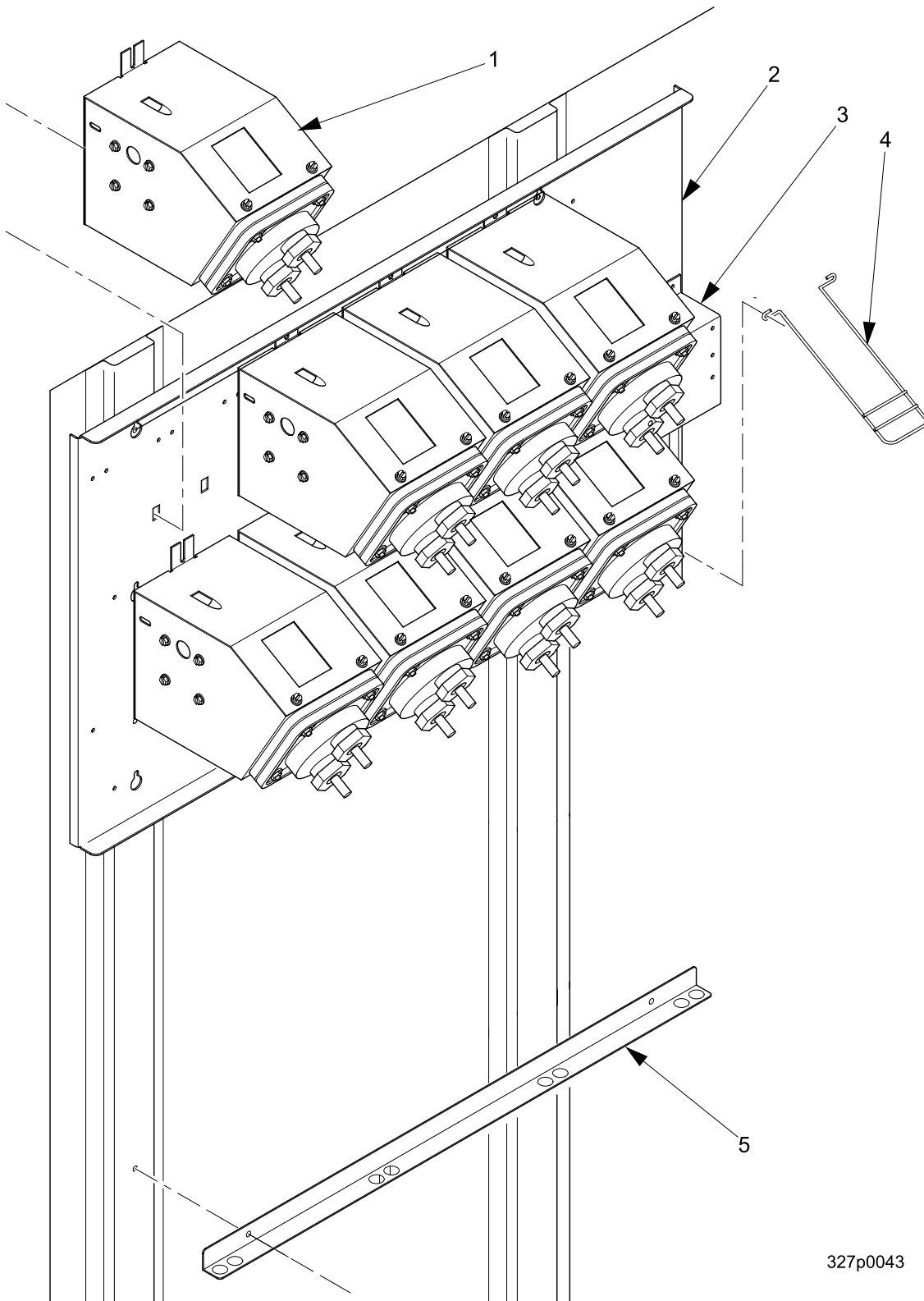


FIGURE 38: SYRUP TANK CONTAINERS

TABLE 38: SYRUP TANK CONTAINERS

INDEX	PART NUMBER	DESCRIPTION	APPLIC ATION	QTY
1	3127102	LID SYRUP TANK COVER (USA/France/UK) SEE NOTE	6 OR 8 TANK	6 OR 8
2	3127109	DIP TUBE - SYRUP TANK - 5 GALLON (USA/France/UK)	6 OR 8 TANK	6
	3287120	DIP TUBE - SYRUP TANK - 5 GALLON - STAINLESS (GERMANY)	6 TANK	6
	3607112	DIP TUBE - SYRUP TANK - 3 1/2 GALLON (USA/France/UK)	8 TANK	1
	3507002	DIP TUBE - SYRUP TANK - 1 1/2 GALLON (USA/France/UK)	8 TANK	1
3	3127100	SYRUP TANK - 5 GALLON (USA/France/UK) SEE NOTE	6 OR 8 TANK	6 OR 8
	3607111	SYRUP TANK - 3 1/2 GALLON (USA)	8 TANK	1
	3507000	SYRUP TANK - 1 1/2 GALLON (USA)	8 TANK	1
4	3127107	BRACKET - DIP TUBE - SYRUP TANK (USA/France/UK) SEE NOTE	6 OR 8 TANK	6 OR 8
5	3127101	COVER - SYRUP TANK (USA/France/UK) SEE NOTE	6 OR 8 TANK	6 OR 8
--	3151023	BRACKET ASSEMBLY - SYRUP TANK (NOT SHOWN)	8 TANK	--

NOTE: STAINLESS STEEL TANKS ARE USED IN GERMANY.
FOR GERMAN MERCHANTISERS, INDEX NUMBERS 1, 3, 4 AND 5 ARE NOT SHIPPED WITH THE MERCHANTISER AND THEY ARE NOT AVAILABLE FROM NATIONAL VENDORS PARTS DEPARTMENT.

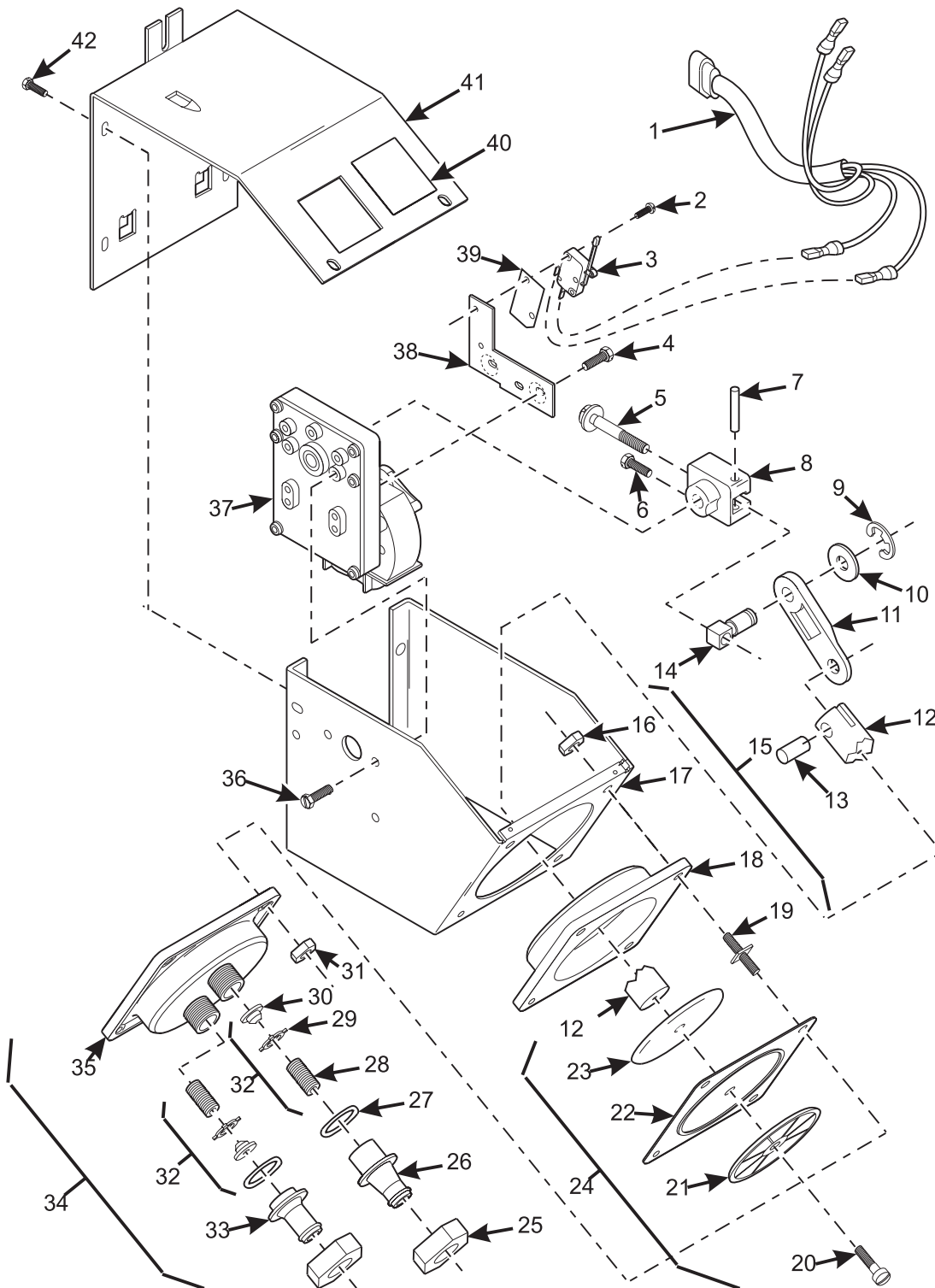


327p0043

FIGURE 39: DIAPHRAGM SYRUP PUMP AND BRACKET ASSEMBLY

TABLE 39: DIAPHRAGM SYRUP PUMP AND BRACKET ASSEMBLY

INDEX	PART NUMBER	DESCRIPTION	QTY
--	3277000	ASSEMBLY - 6 PUMP (NOT SHOWN)	--
	3277001	ASSEMBLY - 8 PUMP	
1	3157030	SYRUP PUMP - FINAL ASSEMBLY - 9/16 OZ.	6 OR 8
2	3287001	MOUNTING PLATE - SYRUP PUMP	1
3	3287003	CHANNEL - FILTER HEAD MOUNTING	1
4	3121125	GUIDE ASSEMBLY SYRUP TUBE	1
5	3281044	ANGLE - TUBE LOCATOR	1

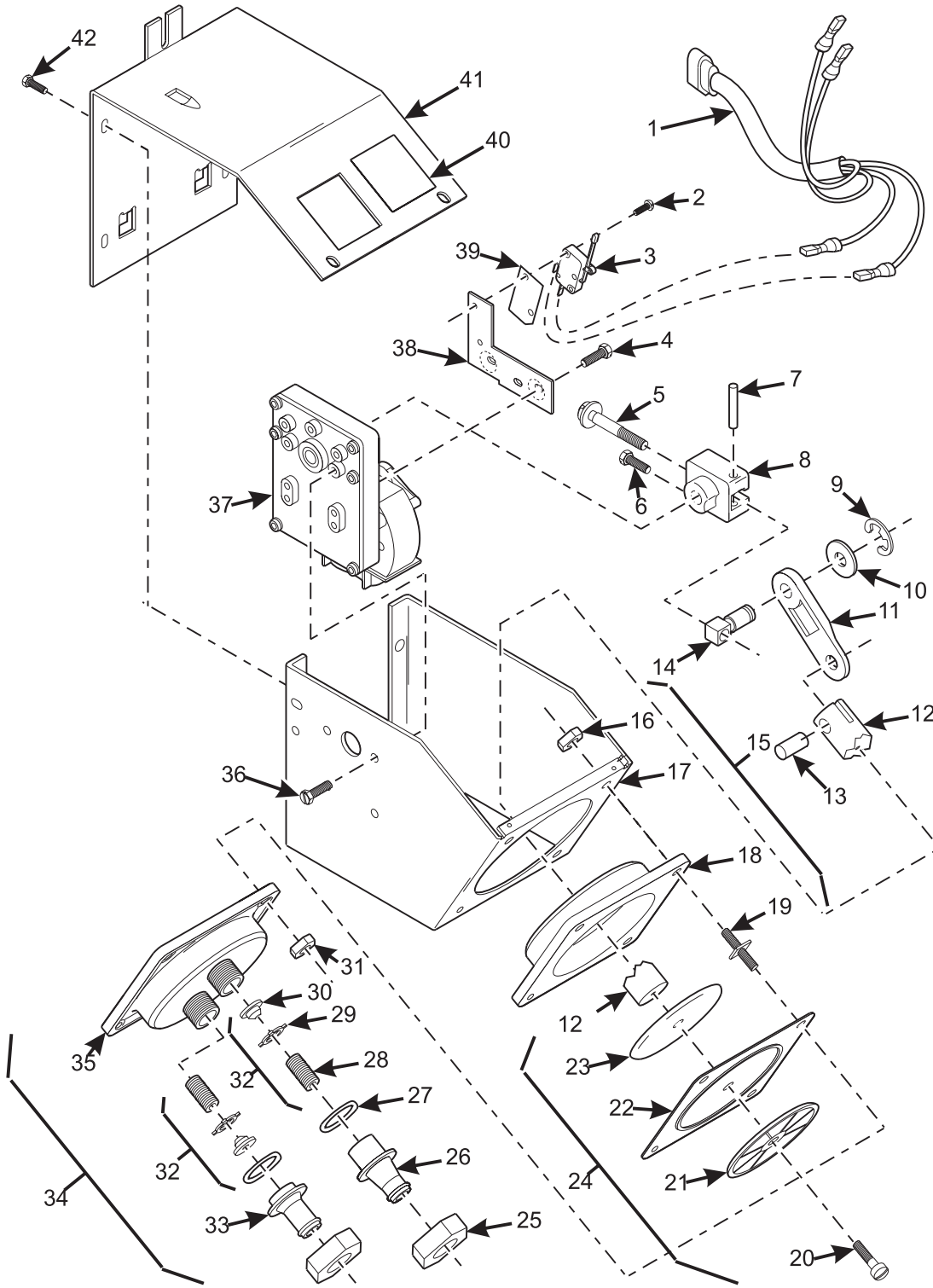


317P0016

FIGURE 40: DIAPHRAGM SYRUP PUMP

TABLE 40: DIAPHRAGM SYRUP PUMP

INDEX	PART NUMBER	DESCRIPTION	QTY.
--	3157030	SYRUP PUMP ASSEMBLY (9-18 OZ.)	--
1	3171043	HARNESS, SYRUP PUMP	1
2	1212139	SCREW, #4-40 X 1/2 RHS	2
3	3157022	SWITCH AND CAP ASSEMBLY	1
4	1451097	SCREW, #8-32 X .31 HEX HD T/F - BUC	2
5	3157049	ADJUSTER SCREW, CRANK ARM	1
6	3157068	SCREW, #8-32 X .31 HXHD - T/F - W/ 3/8 W	1
7	3157043	ROLL PIN - .062 X 1.00	1
8	3157051	CRANK ARM, BODY	1
9	9900431	RETAINING RING, REINFORCED "E" TYPE .312	1
10	3157011	WASHER, CRANK ARM	1
11	3157044	ACTUATOR ARM	1
12	3157041	SYRUP PUMP PISTON	1
13	3157042	GROOVE PIN	1
14	3157050	SLIDE PIN	1
15	3157039	FRAME AND SHELL ASSEMBLY (ITEMS 16-19)	1
16	9900152	NUT, #10-24	4
17	3157037	SYRUP PUMP FRAME	1
18	3127010	REAR SYRUP PUMP SHELL	1
19	3127011	SYRUP PUMP MOUNTING STUD, SHELL	1
20	3127013	SCREW, #10-32 UNF-2A X 3/4 LONG	1
21	3147002	SYRUP PUMP DIAPHRAGM DISC	2
22	3127015	SYRUP PUMP DIAPHRAGM	1
23	3147002	SYRUP PUMP DIAPHRAGM DISC	2
24	3157047	SYRUP PUMP DIAPHRAGM ASSEMBLY (ITEMS 12, 20-23)	1
25	3127009	NUT, VALVE RETAINER	2
26	3127008	CHECK RING OUTLET BODY	1
27	3127031	"O" RING, .676 ID X .816 OD X .070	2
28	3108041	SPRING CHECK VALVE OUTLET	1
29	3108040	SPIDER CHECK VALVE OUTLET	1
30	3148050	SEAT CHECK VALVE OUTLET	1
31	4307029	NUT, #10-24	4
32	3148051	CHECK VALVE OUTLET SEAL ASSEMBLY	2
33	3127007	CHECK VALVE INLET BODY	1
34	3127036	FRONT SHELL ASSEMBLY - PARTIAL (ITEMS 25-27, 32, 33, 35)	1
35	3127006	SYRUP PUMP FRONT SHELL	1
36	3157060	SCREW, #8-32 X .31 - HXHD - T/F - W 3/8 W	4



317P0016

FIGURE 40: DIAPHRAGM SYRUP PUMP (CONT.)

TABLE 40: DIAPHRAGM SYRUP PUMP (CONT.)

INDEX	PART NUMBER	DESCRIPTION	QTY.
37	3157035	SYRUP PUMP MOTOR	1
38	3157045	BRACKET, SWITCH CYCLE	1
39	6112042	SWITCH, INSULATOR	1
40	3157010	LABEL, ADJUSTMENT	1
41	3157037	COVER, FRAME, SYRUP PUMP	1
42	3157060	SCREW, #8-32 X .31 HEX W/HD	6

Section E: Syrup Pump and Carbonator Cold Drink Center Parts Manual

TABLE 40A: TUBING USAGE - MODEL 328

CONFIGURATION	LOCATION	BULK TUBING PART NUMBERS		
		USA	FRANCE/ GERMANY/ UK	GERMANY
GAS PUMPS WITH SYRUP BOXES	GAS PUMP TO SYRUP BOX	3108052	3638096	
	GAS PUMP TO SYRUP TUBE IN WATER BATH	3108054	3158035	
GAS PUMPS WITH SYRUP TANKS	GAS PUMP TO REDUCER FITTING	3108052	3638096	3287122
	REDUCER FITTING TO SYRUP TANK DIP TUBE	3108054	3158035	3287121
	GAS PUMP TO SYRUP TUBE IN WATER BATH	3108054	3158035	3287121
	SYRUP TUBE IN WATER BATH TO DISPENSING SPOUT	3108054	3158035	3287121

TABLE 40B: TUBING USAGE - MODEL 327

CONFIGURATION	LOCATION	BULK TUBING PART NUMBERS		
		USA	FRANCE/ GERMANY/ UK	GERMANY
DIAPHRAGM PUMPS WITH SYRUP TANKS	SYRUP PUMP TO SYRUP TANK DIP TUBE	3108054	3158035	
	SYRUP PUMP TO SYRUP TUBE IN WATER BATH	3108054	3158035	
	SYRUP TUBE IN WATER BATH TO DISPENSING SPOUT	3108054	3158035	

Cold Drink Center Parts Manual Section E: Syrup Pump and Carbonator

TABLE 40C: TUBING USAGE - ALL MODELS AND COUNTRIES

PART NUMBER	DESCRIPTION	LOCATION	
3288009	TUBE ASSEMBLY - WATER PUMP TO COIL	WATER PUMP OUTLET TO WATER	
		COOLING COIL INLET (WATER BATH)	
6231430	TUBE - DRAIN	CUP DELIVERY COMPARTMENT DRAIN	
BULK PART NUMBER	DESCRIPTION	LENGTH	LOCATION
3128041	TUBING - PLASTIC -.75 OD X .50 ID	48 IN	WATER BATH ASSEMBLY
3108052	TUBING - PLASTIC - 5/8 OD X 3/8 ID	24 IN	ICE - WITH COOL SAN
		24 IN	
		38 IN	
		48 IN	ICE - NO COOL SAN
3638096	TUBING - 3/8 ID - PVC - CLEAR	13.5 IN	ICE - WITH COOL SAN
		16.5 IN	ICE - NO COOL SAN
6338021	TUBING - SILICONE - .375 ID X .562 OD	9.5 IN	ICE - WITH COOL SAN / ICE - NO COOL SAN
6208037	TUBING - SILICONE - .250 ID X .437 OD	17 IN	ICE - WITH COOL SAN
		27 IN	
6338021	TUBING - SILICONE - .375 ID X .562 OD	1.5 IN	ICE - WITH COOL SAN/ICE - NO COOL SAN
		1.5 IN	ICE - WITH COOL SAN
		18 IN	ICE - WITH COOL SAN/ICE - NO COOL SAN
		18 IN	ICE - WITH COOL SAN/ICE - NO COOL SAN
		1.5 IN	ICE - WITH COOL SAN

TABLE 41: CARBONATOR FINAL ASSEMBLY

INDEX	PART NUMBER	DESCRIPTION	QTY.
--	3108000	CARBONATOR ASSEMBLY	REF
1	3108344	ELECTRODE ASSEMBLY - LONG - CARBONATOR	1
2	3108022	CONNECTOR - JET - CARBONATOR	2
3	3108038	O-RING - CARBONATOR	3
4	3148051	SEAL ASSEMBLY - CHECK VALVE OUTLET (ITEMS 5-7)	3
5	3148050	SEAT - CHECK VALVE OUTLET	1
6	3108040	SPIDER - CHECK VALVE OUTLET	1
7	3108041	SPRING - CHECK VALVE OUTLET	1
8	3108342	ELECTRODE ASSEMBLY - SHORT - CARBONATOR	1
9	3108163	JET - CARBONATOR	1
10	3108037	GASKET - CARBONATOR	1
11	3108023	VALVE ASSEMBLY - RELIEF (ITEMS 12-16, 20)	1
12	3108036	PIN - RELIEF VALVE	1
13	3108033	NUT - RELIEF	1
14	3108032	SPRING - RELIEF VALVE	1
15	3108034	WASHER - FLAT	1
16	3108035	BASE - RELIEF VALVE	1
17	3108027	STEM ASSEMBLY - RELIEF VALVE	1
18	3108029	STEM - RELIEF VALVE	1
19	3108028	RETAINER SEAT - RELIEF VALVE	1
20	3108024	STEM AND SEAT ASSEMBLY - RELIEF VALVE (ITEMS 17, 21-24)	1
21	3108030	ACORN NUT - #8-32 - BRASS	1
22	3108031	WASHER - RELIEF VALVE	1
23	3108025	CAP - RELIEF VALVE	1
24	3108026	SEAL - RELIEF VALVE	1
25	3108011	TUBE ASSEMBLY - DIP	1
26	3108001	CARBONATOR - BODY AND TOP ASSEMBLY	1

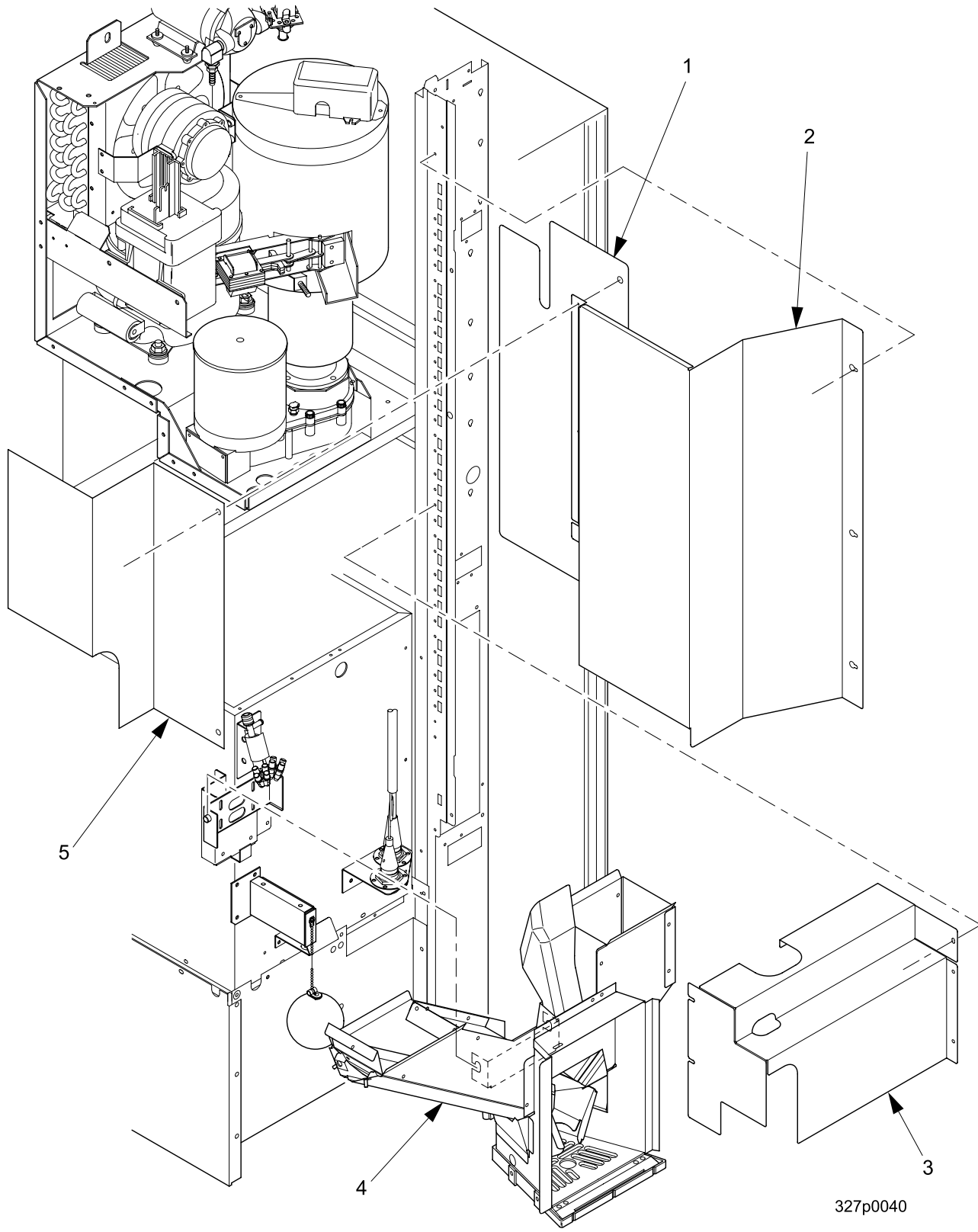


FIGURE 42: COMPONENT COVERS

TABLE 42: COMPONENT COVERS

INDEX	PART NUMBER	DESCRIPTION	QTY.
1	3281064	COVER - ICE MAKER - SIDE	1
2	3281036	COVER - ICE MAKER	1
3	3281078	COVER ASSEMBLY - WATER BATH	1
4	--	CUP DELIVERY - FINAL	1
5	3281059	COVER - WATER FILTER (U.K./FRANCE/GERMANY)	1

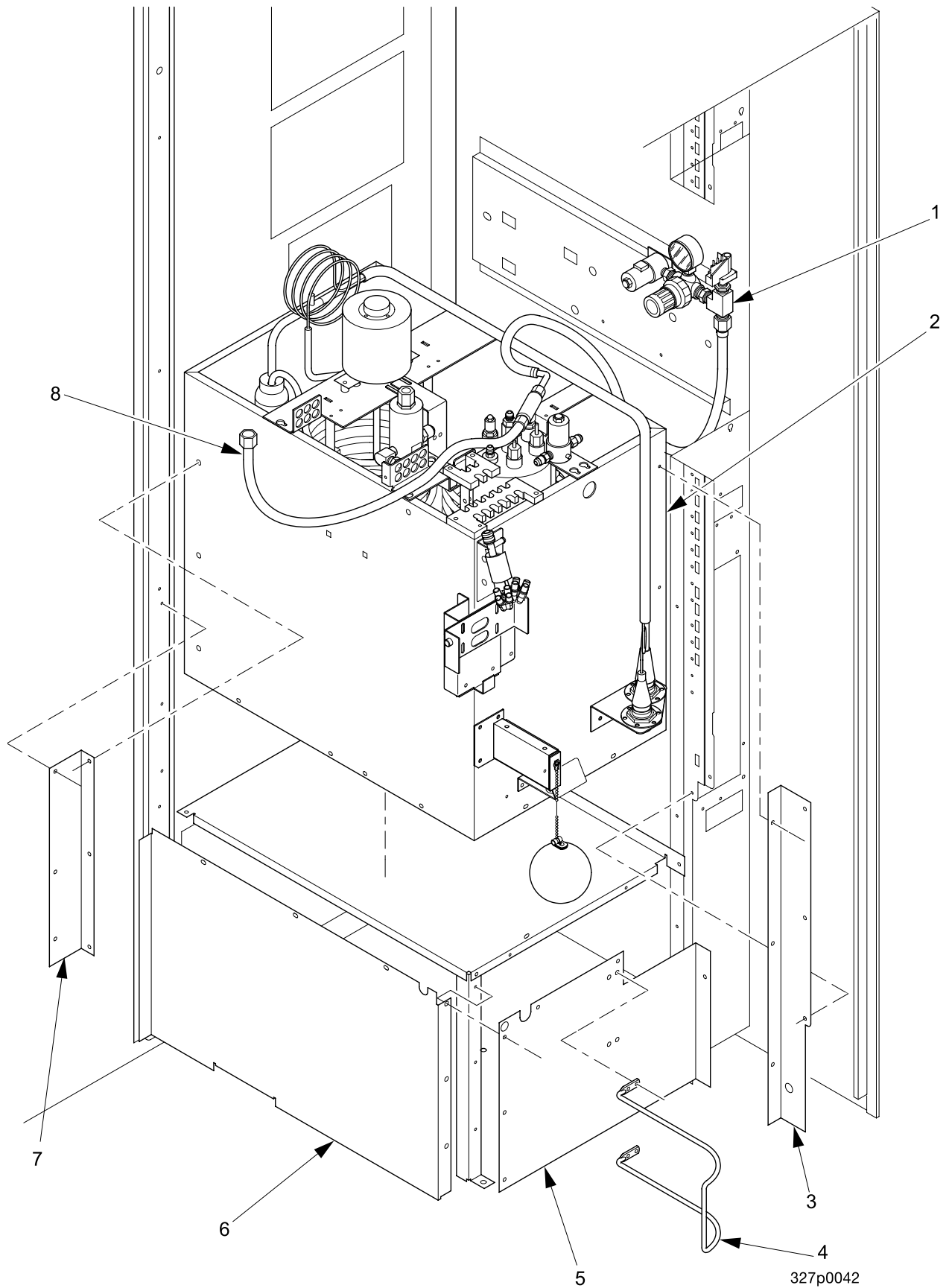


FIGURE 43: WATER BATH ASSEMBLY - PART 1 OF 2

327p0042

TABLE 43: WATER BATH ASSEMBLY - PART 1 OF 2

INDEX	PART NUMBER	DESCRIPTION	QTY
1	3287005	CO2 REGULAR ASSEMBLY - SYRUP PUMP - 115V (GAS PUMP OPTION)	1
	3287115	CO2 REGULAR ASSEMBLY - SYRUP PUMP - 230V (GAS PUMP OPTION)	
2	3288001	WATER BATH ASSEMBLY - COMMON - 115V	1
	3288000	WATER BATH ASSEMBLY - EVERPURE - 115V	
	3288013	WATER BATH ASSEMBLY - HYDROLIFE - 115V	
	3288029	WATER BATH ASSEMBLY - COMMON - 230V	
	3288025	WATER BATH ASSEMBLY - EVERPURE - 230V	
	3288026	WATER BATH ASSEMBLY - HYDROLIFE - 230V	
3	3281025	ANGLE - WATER BATH SUPPORT - FRONT	1
4	3281029	RETAINER - BUCKET	1
5	3281027	COVER - COMPRESSOR COMPARTMENT - FRONT	1
6	3281028	COVER - SIDE - COMPRESSOR COMPARTMENT	1
7	3281026	ANGLE - WATER BATH SUPPORT - REAR	1
8	3108115	FLEXIBLE TUBE CO2 REGULATOR TO CARBONATOR (USA)	1
	6398158	TUBE ASSEMBLY - CO2 - SK (UK/France/GERMANY)	
--	6201025	WASTE BUCKET (NOT SHOWN)	1

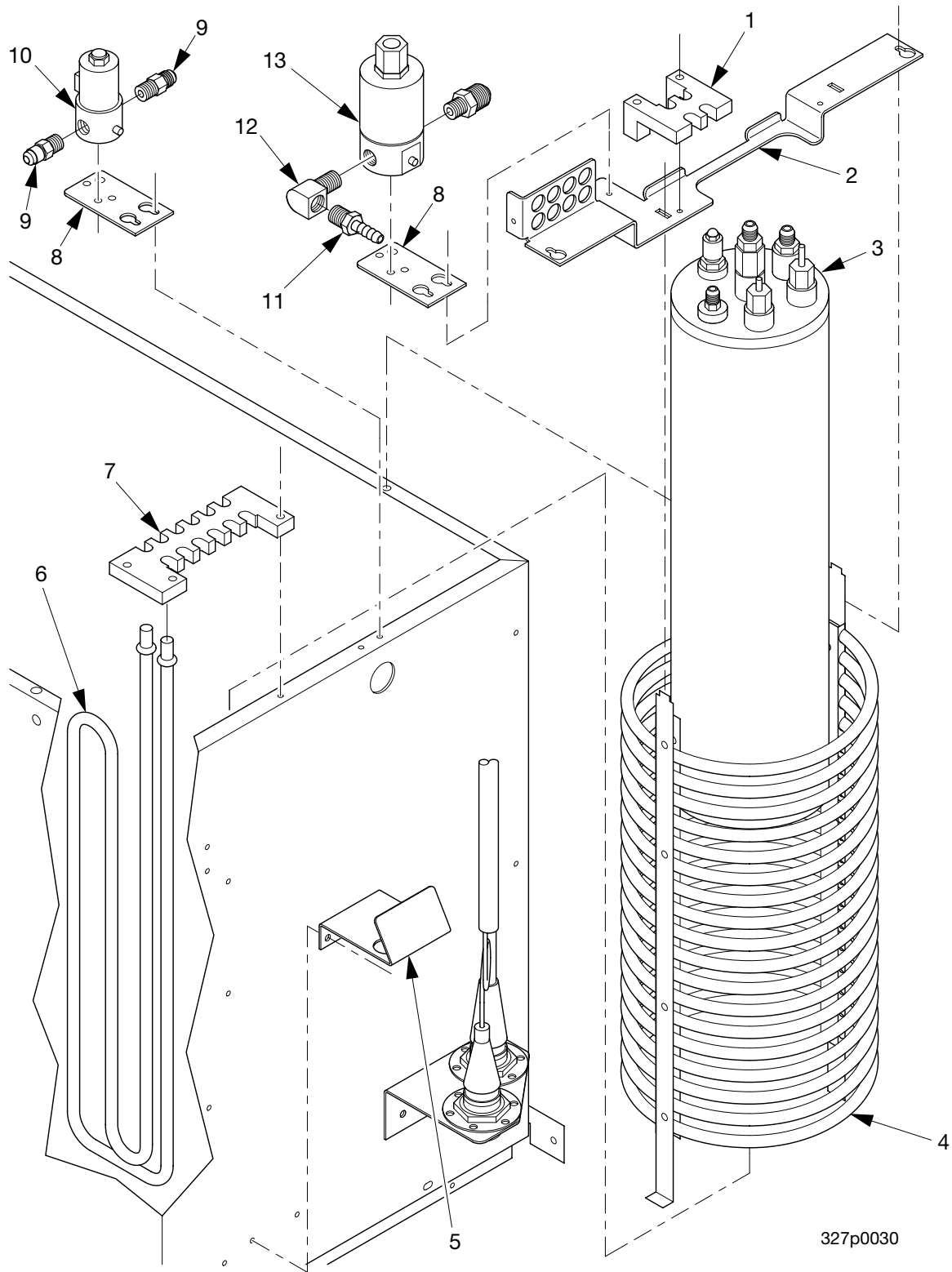


FIGURE 44: WATER BATH ASSEMBLY - PART 2 OF 2

TABLE 44: WATER BATH ASSEMBLY - PART 2 OF 2

INDEX	PART NUMBER	DESCRIPTION	QTY.
1	3158003	HOLDER - SYRUP TUBE (USED WITH SELECTIONS 7 AND 8)	1
2	3288041	BRACKET - MOUNTING - CARBONATOR	1
3	3108000	CARBONATOR ASSEMBLY	1
4	3128025	COIL WATER COOLING	1
5	3288012	BRACKET - TUBE	1
6	3128036	TUBE SYRUP	6
7	3128035	HOLDER SYRUP TUBES	1
--	3128038	VALVE ASSEMBLY - WATER - HIGH CARBONATION - 115V (ITEMS 8-10)	--
	3288032	VALVE ASSEMBLY - WATER - HIGH CARBONATION - 230 V (ITEMS 8-10)	
8	3128039	MOUNTING BRACKET, WATER VALVE	2
9	3108013	1/4 FLARE X 1/8 NPFT HALF UNION	1
10	3156034	CARBONATED WATER VALVE ASSEMBLY	1
11	6108007	COMPRESSOR HOSE ADAPTER	1
12	3108271	90 DEGREE STREET ELBOW, 1/8 NPT	1
13	3158101	VALVE ASSEMBLY - 3-WAY - 115V KIP#6X3	1
	3288033	VALVE ASSEMBLY - 3-WAY - 230 V	

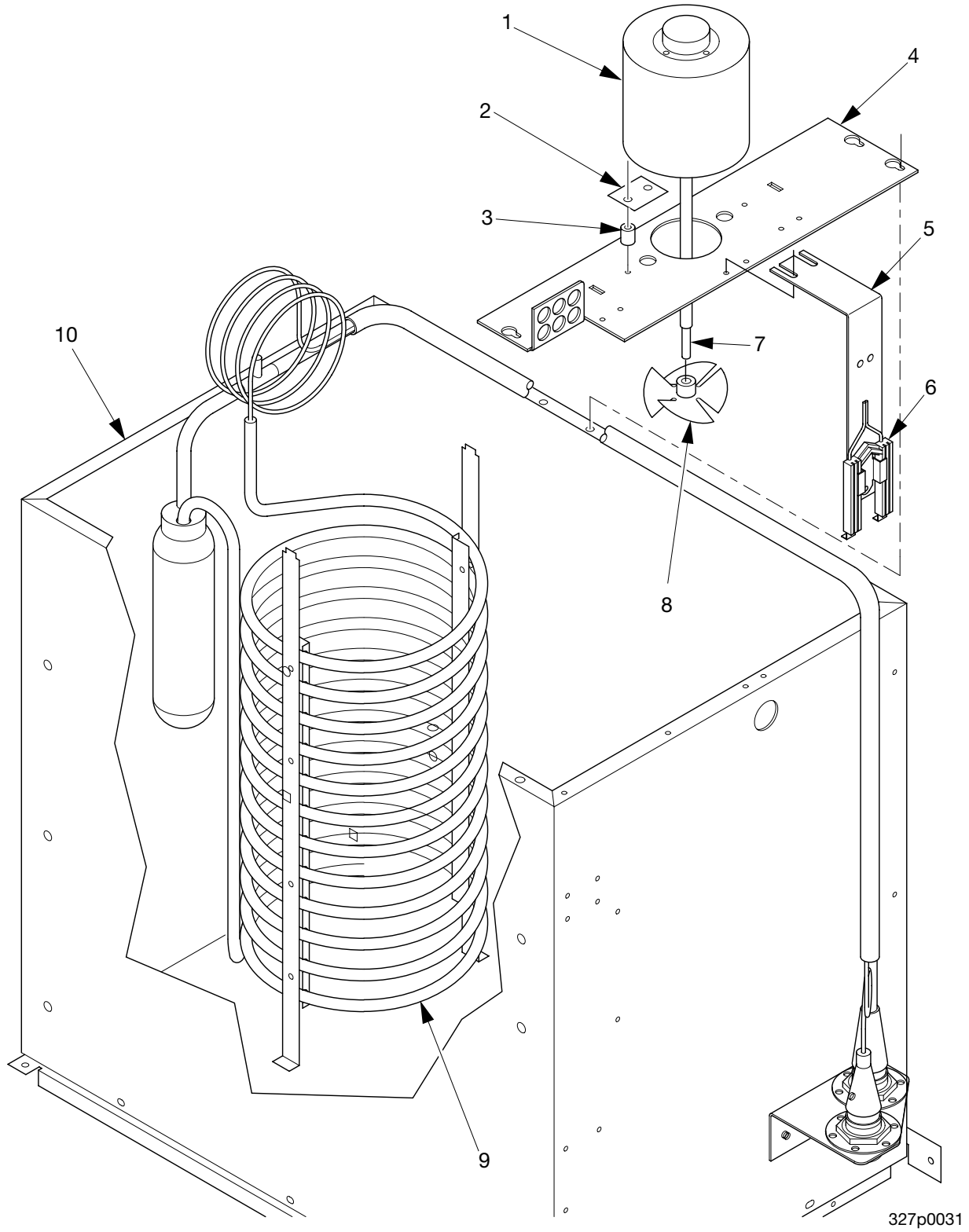


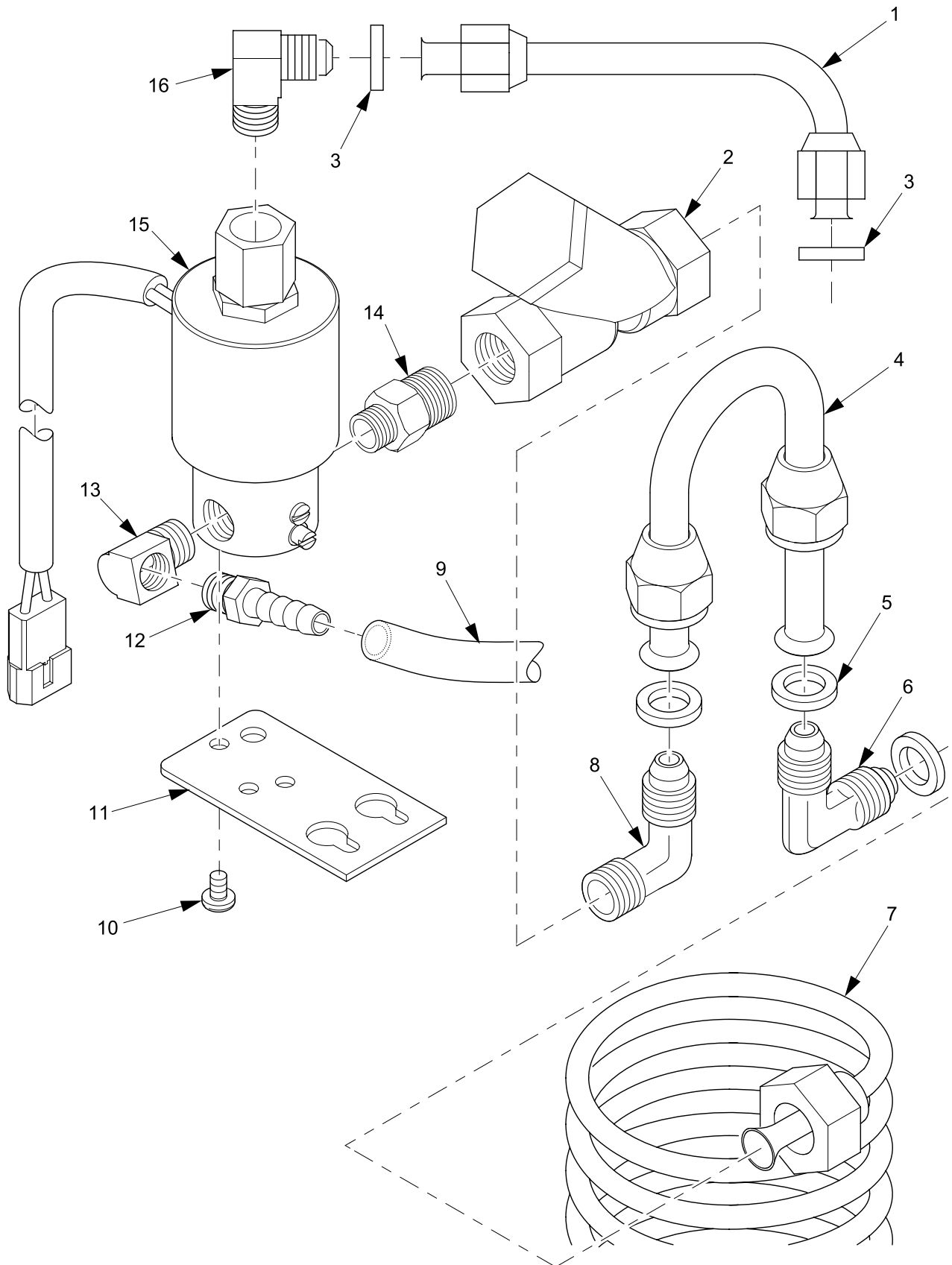
FIGURE 45: AGITATOR ASSEMBLY - WATER BATH

TABLE 45: AGITATOR ASSEMBLY - WATER BATH

INDEX	PART NUMBER	DESCRIPTION	QTY.
--	3128201	AGITATOR ASSEMBLY - WATER BATH - 115V (ITEMS 1-4, 7, 8)	--
	3288030	AGITATOR ASSEMBLY - WATER BATH - 230V (ITEMS 1-4, 7, 8)	
1	3118012	MOTOR, AGITATOR	1
	3288039	MOTOR, AGITATOR 230V	
2	3128059	RETAINER, AGITATOR MOTOR	2
3	3128097	SPACER RICHCO#SS8-3L	2
4	3288040	PLATE MOUNTING, AGITATOR	1
5	3158045	BRACKET - MOUNTING - PROBE	1
6	3289012	PROBE SENSOR ASSEMBLY - RANCO	1
--	3128144	BLADE ASSEMBLY, AGITATOR (NEXT 2 ITEMS)	--
7	3106004	HUB - AGITATOR BLADE	1
8	3128033	BLADE AGITATOR	1
9	3164053	EVAPORATOR ACCUM. - SUCTION LINE ASSEMBLY	1
10	3288002	WRAPPER & LINER ASSEMBLY	1

TABLE 45A: WATER BATH REFRIGERATION COMPONENTS

PART NUMBER	DESCRIPTION	QTY
3284040	WATER BATH COND. UNIT - 115V-R134	1
3284041	WATER BATH COND. UNIT - 230V	
4314014	FAN - EVAPORATOR - AXIAL - 115V	1
4314054	FAN - EVAPORATOR - AXIAL - 230V	
3164073	CONDENSER - W/PROCESS TUBE	1
4614135	COMPRESSOR - 115V - R134A	1
4644019	COMPRESSOR - 1/3 HP - 220V - R-134A-DANF. -	
4614136	BAG - COMPRESSOR COMPONENTS - 115V (INCLUDES: RELAY, OVERLOAD, OVERLOAD SPRING, TERMINAL COVER, BALE STRAP, GROMMETS AND SLEEVES)	1
4304216	GROMMET & SLEEVE PACKAGE (4EA) (230V)	1
4644021	STARTING RELAY (230V)	1
9988902	CAPACITOR - START - 80MFD - 220/250V (230V)	1
4304057	COVER (230V)	1
3124015	POWER CORD - WATER BATH	1

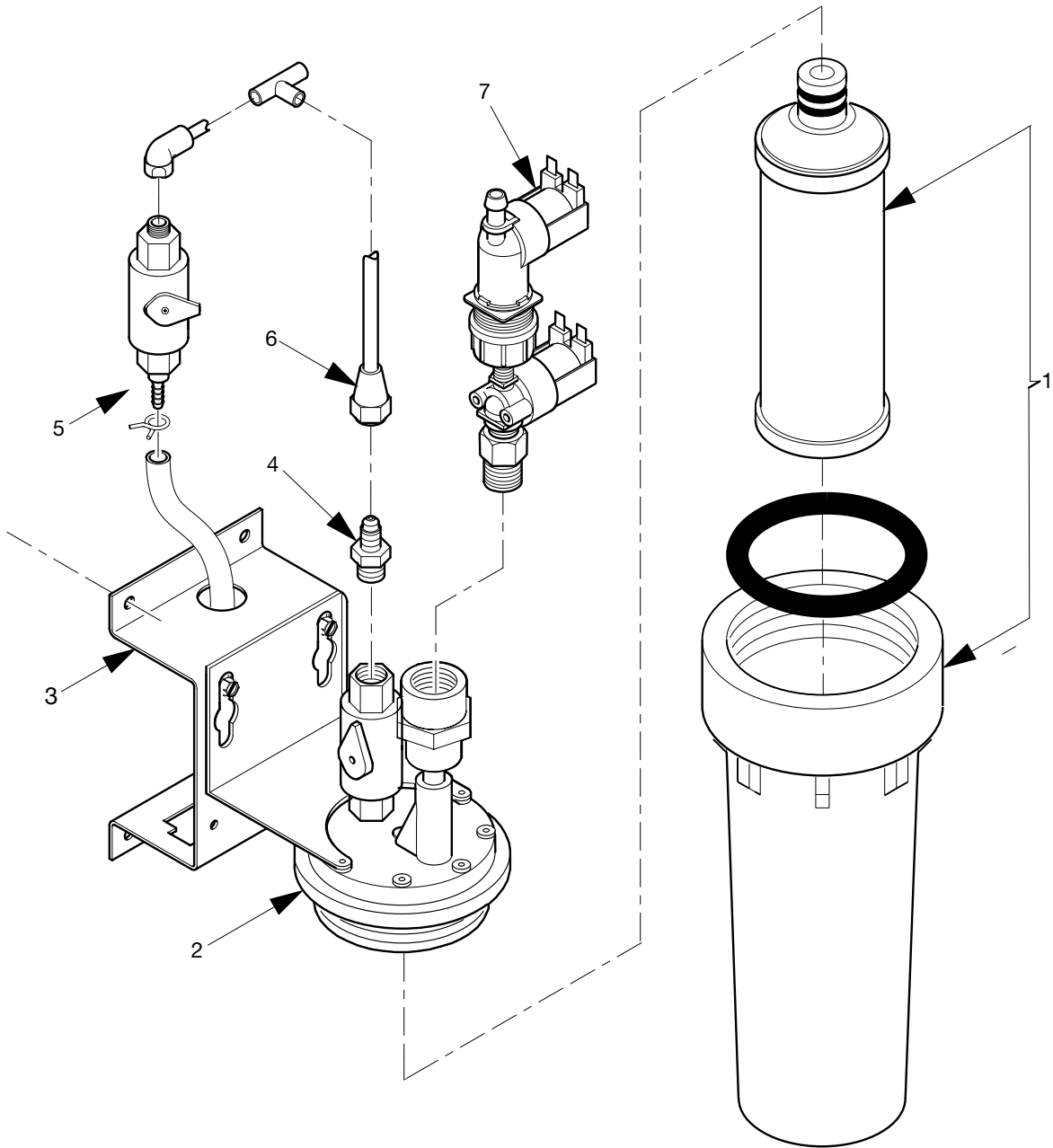


327p0073

FIGURE 46: WATER VALVE ASSEMBLY - NON-CARBONATED

TABLE 46: WATER VALVE ASSEMBLY - NON-CARBONATED

INDEX	PART NUMBER	DESCRIPTION	QTY
--	3288047	VALVE ASSEMBLY - WATER - NON CARBONATED - 115V	--
	3288048	VALVE ASSEMBLY - WATER - NON CARBONATED - 230V	
1	3128054	TUBE ASSEMBLY - NON CARB VALVE TO CARB	1
2	6808024	STRAINER - 100 MESH - X8600A2-213	1
3	3148178	WASHER - 1/4 SAE FLARE	2
4	3288046	TUBING - ADAPTOR - STRAINER	1
5	3618110	GASKET - 45DEGREE FLARE - 3/8 #NYB2	2
6	3128140	ELBOW - 3/8 FLARE - BRASS - #155F-	1
7	3128025	COIL WATER COOLING	1
8	3108103	ELBOW - PARKER #149F-6-4	1
9	3108054	TUBING - PLASTIC-7/16OD X 1/4ID	--
10	3104125	SCREW - #8-32 X 1/4 PHILLIPS P	2
11	3128039	BRACKET - MOUNTING - WATER VALVE	1
12	6108007	ADAPTOR COMPR. HOSE#125-HBL-4	1
13	3108271	ELBOW - STREET - 1/8 NPT-CPL#116	1
14	3108261	NIPPLE - REDUCING - PARKER 216P-4	1
15	3158101	VALVE ASSEMBLY - 3 WAY - KIP#6X3	1
	3288033	VALVE ASSEMBLY - 3 WAY - 230V, #6X87 EA	
16	3108073	BRASS ELBOW - PARKER #249F-4-2	1

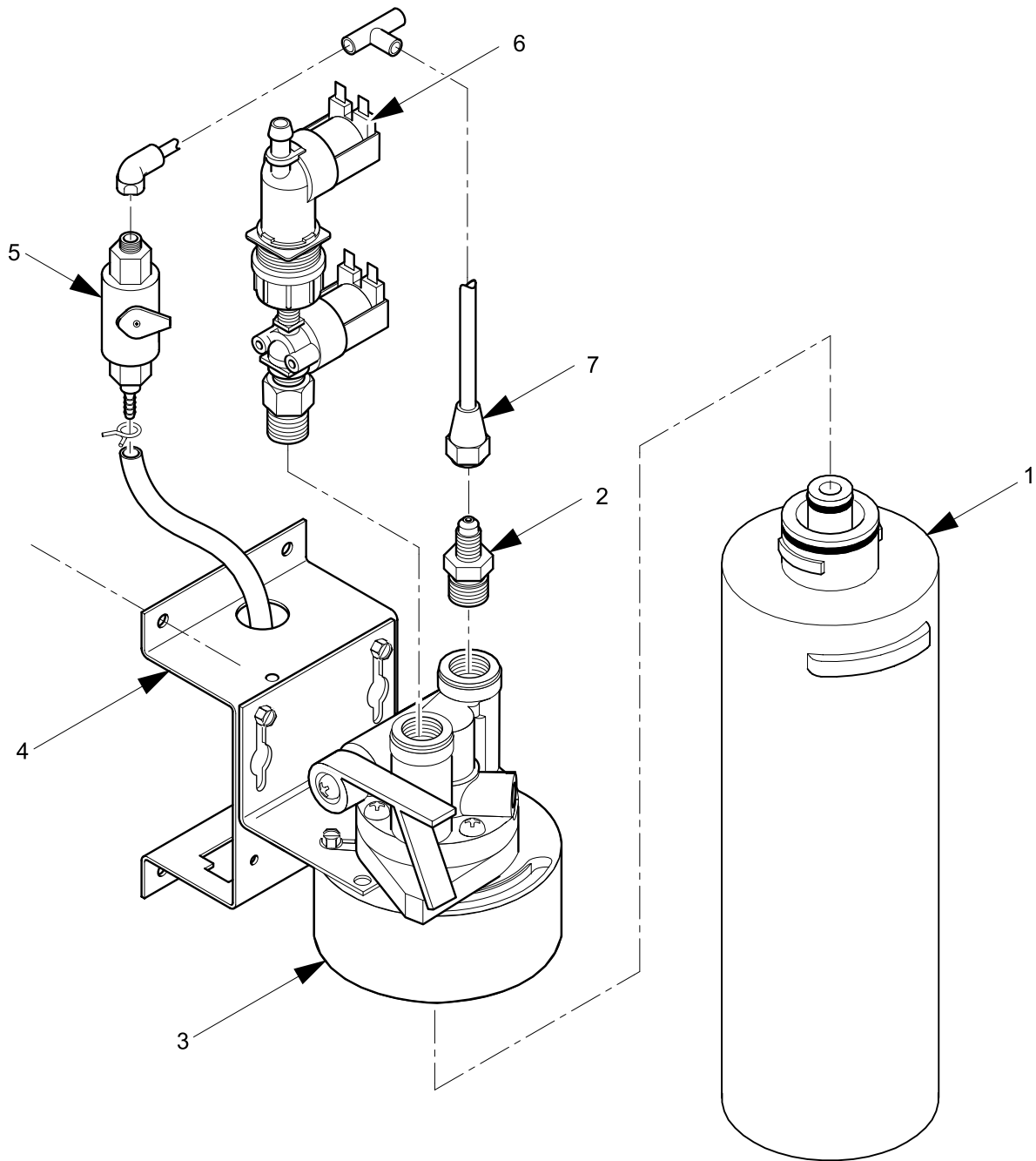


327p0034

FIGURE 47: HYDROLIFE WATER FILTER

TABLE 47: HYDROLIFE WATER FILTER

INDEX	PART NUMBER	DESCRIPTION	QTY.
1	6408028	HOUSING, CARTRIDGE, "O" RING - HLV192H	1
2	6338027	HEAD - BRACKET ASSEMBLY - HLV192 - G6710	1
3	3287003	CHANNEL - FILTER HEAD MOUNTING	1
4	3108056	3/8 FLARE HALF UNION CPL #48EEE	1
5	3178010	VALVE - 1/4 MNPT X 1/4 FNPT	1
6	3281045	INLET TUBE & VALVE ASSEMBLY (INCLUDES INDEX 7)	1
7	3158061	VALVE ASSEMBLY - WATER INLET	1
	6408003	VALVE ASSEMBLY - WATER INLET - UK	

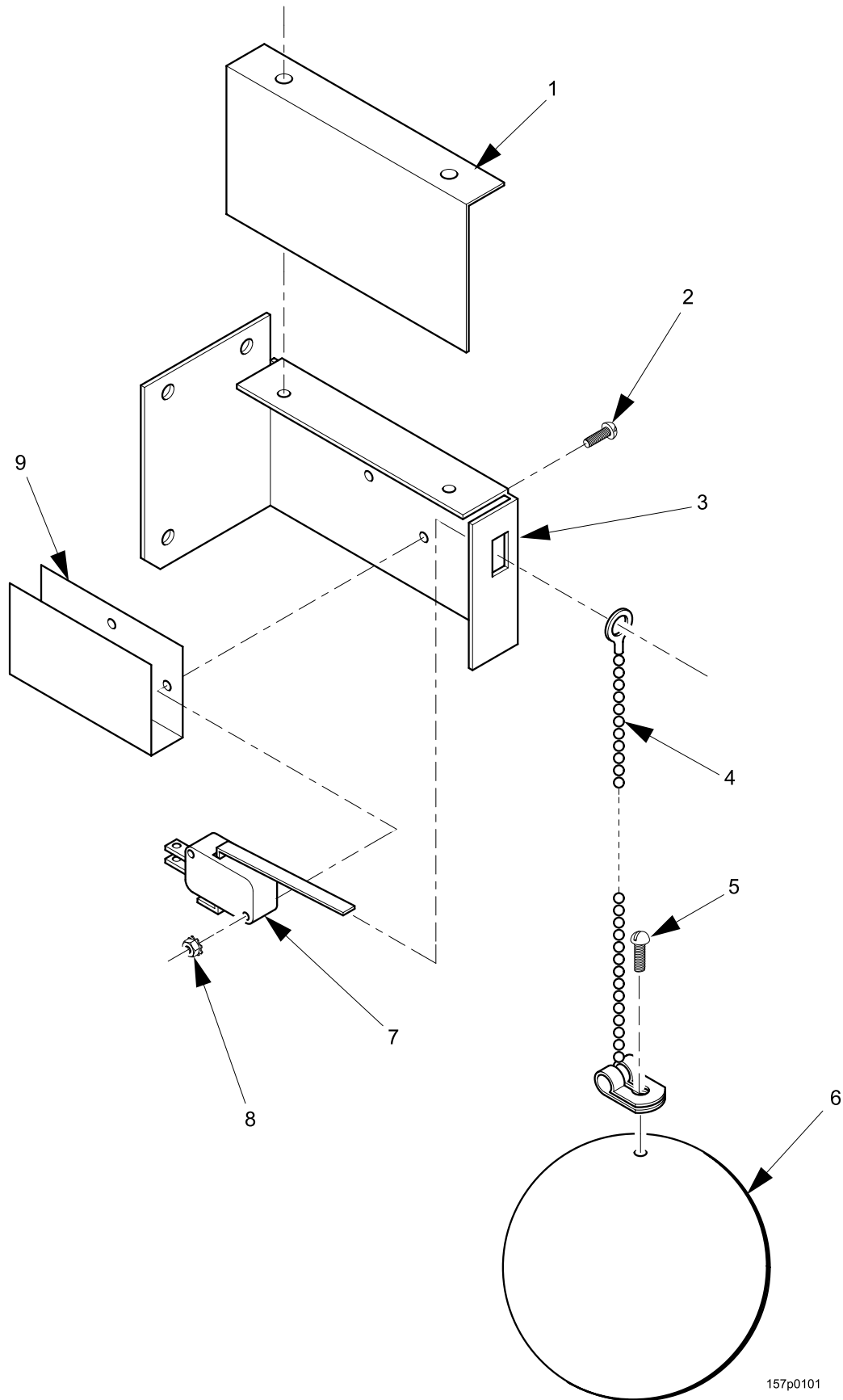


327p0033

FIGURE 48: EVERPURE WATER FILTER

TABLE 48: EVERPURE WATER FILTER

INDEX	PART NUMBER	DESCRIPTION	QTY.
1	3108301	CARTRIDGE - WATER - FILTER - 9601 - 00 - 4C	1
2	3108056	3/8 FLARE HALF UNION CPL#48EEE	1
3	6408134	FILTER HEAD - EVERPURE #9257 - 12	1
4	3158023	BRACKET - MOUNTING - WATER FILTER #3046 - 44	1
5	3178010	VALVE - 1/4 MNPT X 1/4 FNPT	1
6	3158061	VALVE ASSEMBLY - WATER INLET	1
	6408003	VALVE ASSEMBLY - WATER INLET - UK	
7	3281045	INLET TUBE & VALVE ASSEMBLY (INCLUDES INDEX 6)	1

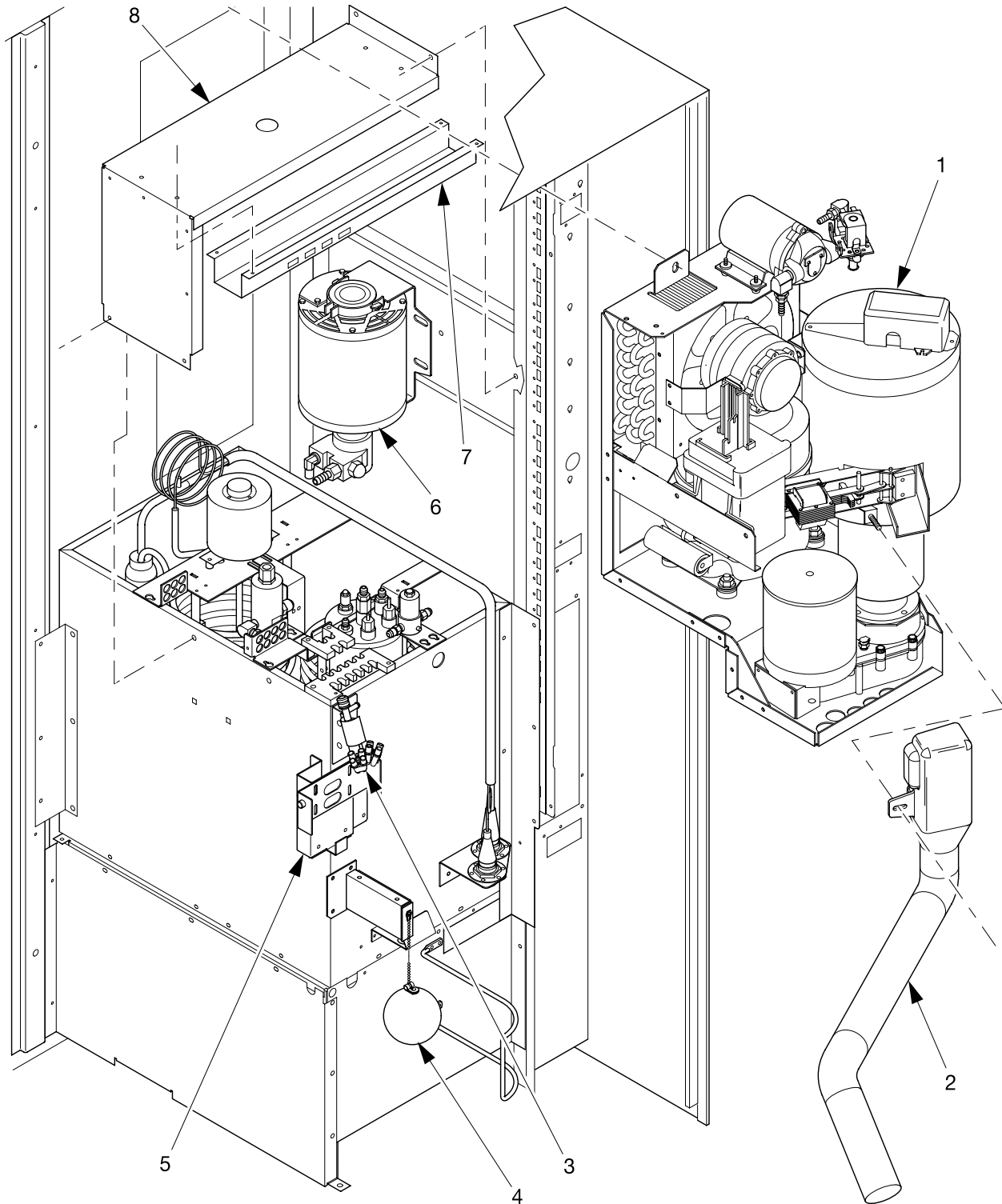


157p0101

FIGURE 49: OVERFLOW SWITCH ASSEMBLY

TABLE 49: OVERFLOW SWITCH ASSEMBLY

INDEX	PART NUMBER	DESCRIPTION	QTY.
--	3116130	OVERFLOW SWITCH ASSEMBLY	--
1	3116126	COVER OVERFLOW SWITCH	1
2	1217160	4 - 40X5/8 RHS M SCREW Z/Y	2
3	3116123	BRACKET ASSEMBLY - OVERFLOW SWITCH	1
4	3151137	CHAIN - OVERFLOW SWITCH	1
5	4047054	SCREW #8 18X1/2 RHS T/C	1
6	3116127	FLOAT OVERFLOW SWITCH	1
7	9984636	SWITCH LEVER V7 - 7B17D8-048	1
8	1217159	4 - 40 KEPS W/EXT L/WAS H ZP	2
9	3121150	INSULATION OVERFLOW SWITCH	1

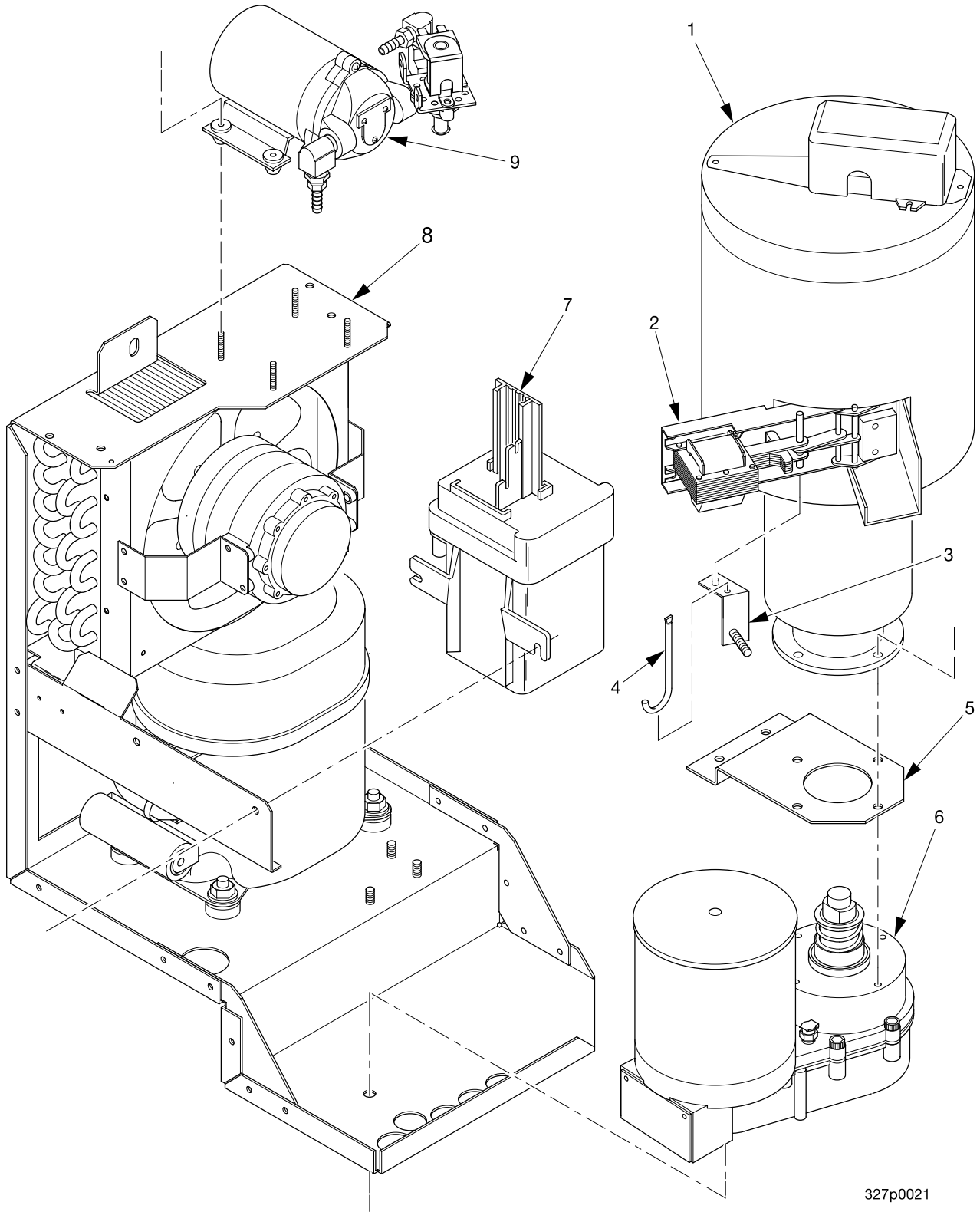


327p0041

FIGURE 50: ICEMAKER ASSEMBLY

TABLE 50: ICEMAKER ASSEMBLY

INDEX	PART NUMBER	DESCRIPTION	QTY
1	3284000	ICEMAKER ASSEMBLY - WITH COOL SAN - 115V - DOMESTIC (SEE FIGURE 51. THROUGH, 55)	1
	3284031	ICEMAKER - W/ COOLSAN - GERMAN - 230V	
	3284025	ICEMAKER ASSEMBLY - NO COOL SAN. - 115V	
2	3284036	ICE CHUTE - UPPER (PART OF INDEX 1)	1
3	3288042	NOZZLE ASSEMBLY	1
4	3116130	SWITCH ASSEMBLY - OVERFLOW	1
5	3281057	MUG SENSOR & BRACKET ASSEMBLY	1 OPT
	3281080	MUG SENSOR ASSEMBLY - REMOTE - GERMAN	
6	3281050	PUMP & MOTOR ASSEMBLY - 115V	1
	3281060	PUMP & MOTOR ASSEMBLY - 230V	
7	3281031	CHANNEL - CONNECTOR	1
8	3281030	SUPPORT - ICE MAKER	1



327p0021

FIGURE 51: ICEMAKER COMPONENTS

TABLE 51: ICEMAKER COMPONENTS

INDEX	PART NUMBER	DESCRIPTION	QTY
--	3634193	ICEMAKER & BRAZED TUBE ASSEMBLY - 115V (INCLUDES INDEX 1-6)	1
	3634178	ICEMAKER & BRAZED TUBE ASSEMBLY - 230V	
1	--	HOPPER AND EVAPORATOR ASSEMBLY	REF
2	--	ICE DISCHARGE DOOR ASSEMBLY	REF
3	3124097	BRACKET ASSEMBLY ICE CHUTE UPPER	1
4	3128318	RETAINER WASTE PAIL (COOL SAN OPTION)	1 OPT
5	3144016	PLATE - MOUNTING - ICEMAKER	1
6	3174082	GEAR AND MOTOR ASSEMBLY - 115V/60HZ	1
	3174077	GEAR AND MOTOR ASSEMBLY - 230V/50HZ	
7	3178005	FEEDER ASSEMBLY - WATER (USA)	1
	3188001	WATER FEEDER ASSEMBLY - B.I.B. (UK/France/GERMANY)	
8	3634213	ICEMAKER CONDENSING UNIT - 115V	1
	3634214	ICEMAKER REFRIGERATION - 230V	
9	3634174	PUMP & VALVE ASSEMBLY - COOLSAN - 115V	1
	3638130	PUMP & VALVE ASSEMBLY - COOLSAN - 230V	

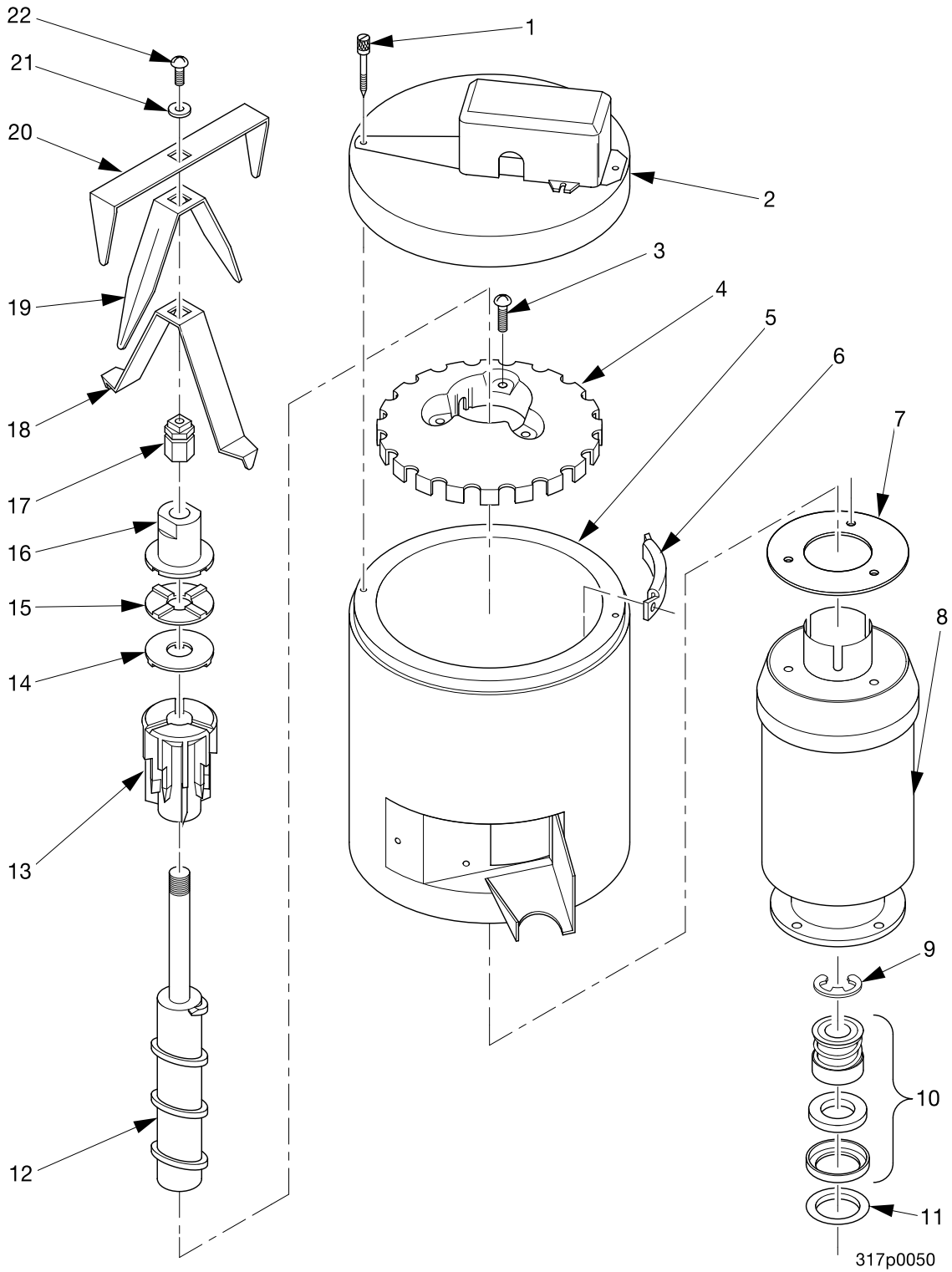
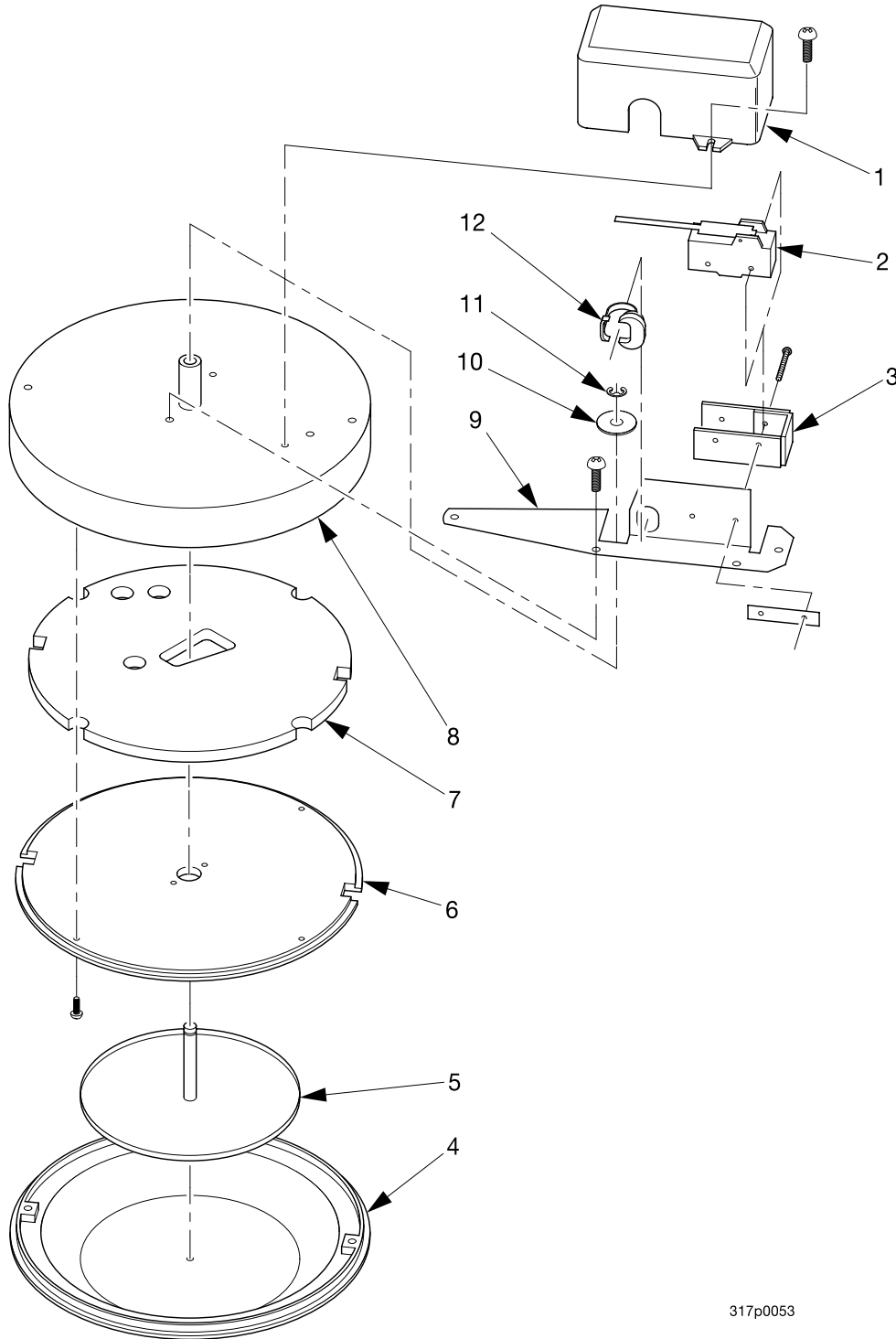


FIGURE 52: HOPPER AND AGITATOR ASSEMBLIES

TABLE 52: HOPPER AND AGITATOR ASSEMBLIES

INDEX	PART NUMBER	DESCRIPTION	QTY
1	3014073	SCREW THUMB	2
2	3154063	CONTROL ASSEMBLY - ICE LEVEL	1
3	3154023	SCREW - 1/4-20 X 7/8 THM S.S.	3
4	3154024	DRIP RING	1
5	3154021	HOPPER ASSEMBLY	1
6	3154090	BAFFLE ASSEMBLY - HOPPER	1
7	3154026	GASKET - HOPPER	1
8	3174076	EVAPORATOR ASSEMBLY	1
9	3634201	E-RING - ICEMAKER - "D" DRIVE (SEE NOTE)	1
10	3634202	SEAL - AUGER - ICEMAKER - "D" DRIVE (SEE NOTE)	1
11	3174049	SEAT - AUGER SEAL (SEE NOTE)	1
12	3174050	AUGER - "D" DRIVE	1
13	3174051	EXTRUDING HEAD ASSEMBLY	1
14	3174025	BEARING - 2"DELRIN - "D" DRIVE	1
15	3174024	BEARING - 2"NYLON - "D" DRIVE	1
16	3174026	BEARING NUT - DOUBLE/D	1
17	3174052	HUB - AGITATOR	1
18	3154079	AGITATOR - LOWER	1
19	3154042	AGITATOR ARM	1
20	3154077	AGITATOR - UPPER	1
21	3154041	WASHER - S.S.	1
22	3154040	SCREW - 1/4-20X3/8 HMS	1

NOTE: PART OF GEAR MOTOR ASSEMBLY "D" DRIVE 6380 90050-002

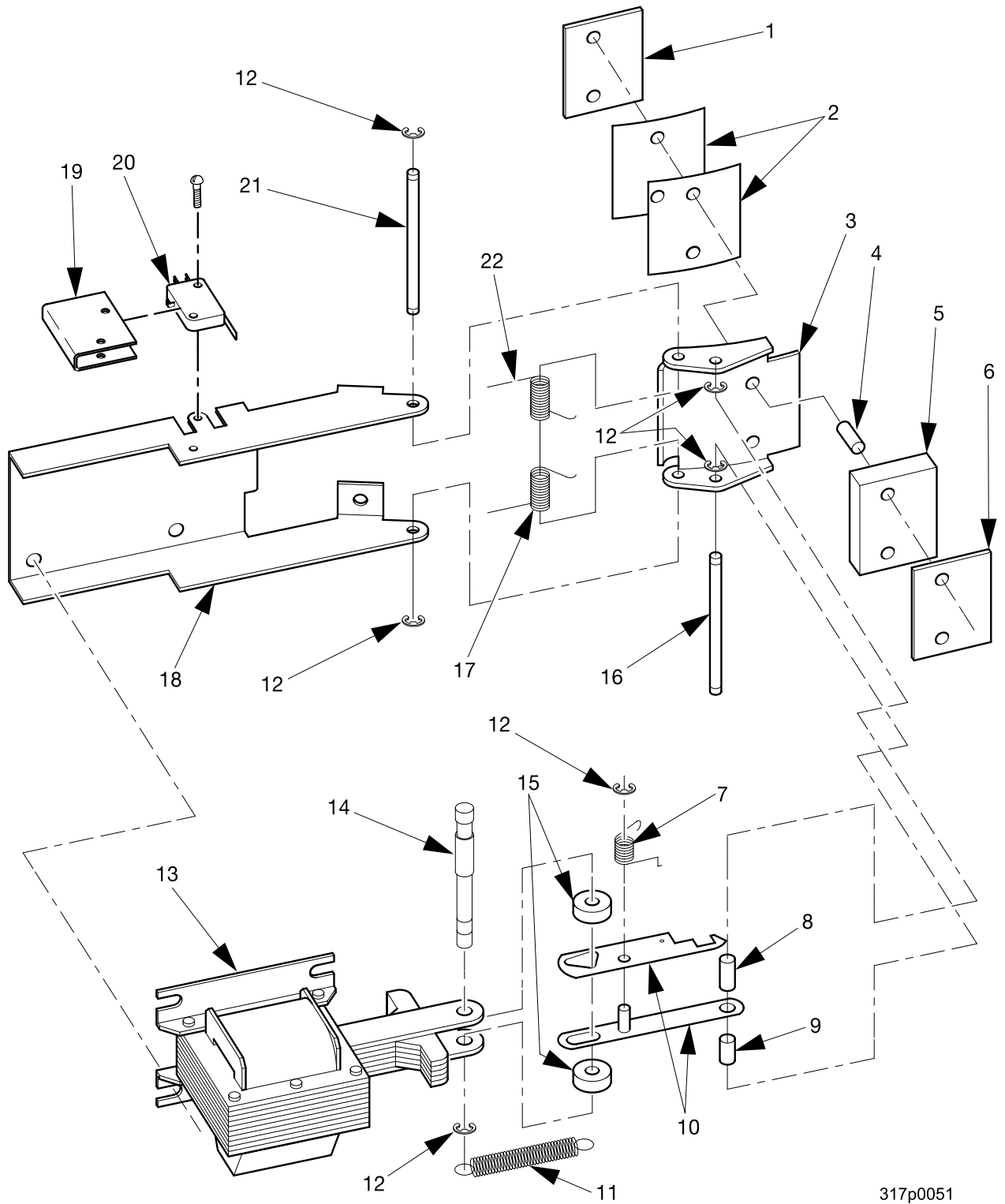


317p0053

FIGURE 53: ICELEVEL COMPONENTS

TABLE 53: ICELEVEL COMPONENTS

INDEX	PART NUMBER	DESCRIPTION	QTY
1	3174067	COVER - ICE LEVEL SWITCH	1
2	3154064	SWITCH - ICE LEVEL	1
3	3174068	INSULATOR - SWITCH	1
4	3114098	DIAPHRAGM - ICE LEVEL	1
5	3174069	ICE LEVEL DISC ASSEMBLY	1
6	3174070	BOTTOM - ICE CONTROL	1
7	3174071	INSULATION	1
8	3174072	COVER - ICEMAKER	1
9	3174073	BRACKET - SWITCH	1
10	3174074	WASHER - SWITCH ACTION	1
11	9900418	RETAINING RING REINF E TYP.187	1
12	3174075	STRAIN RELIEF	1

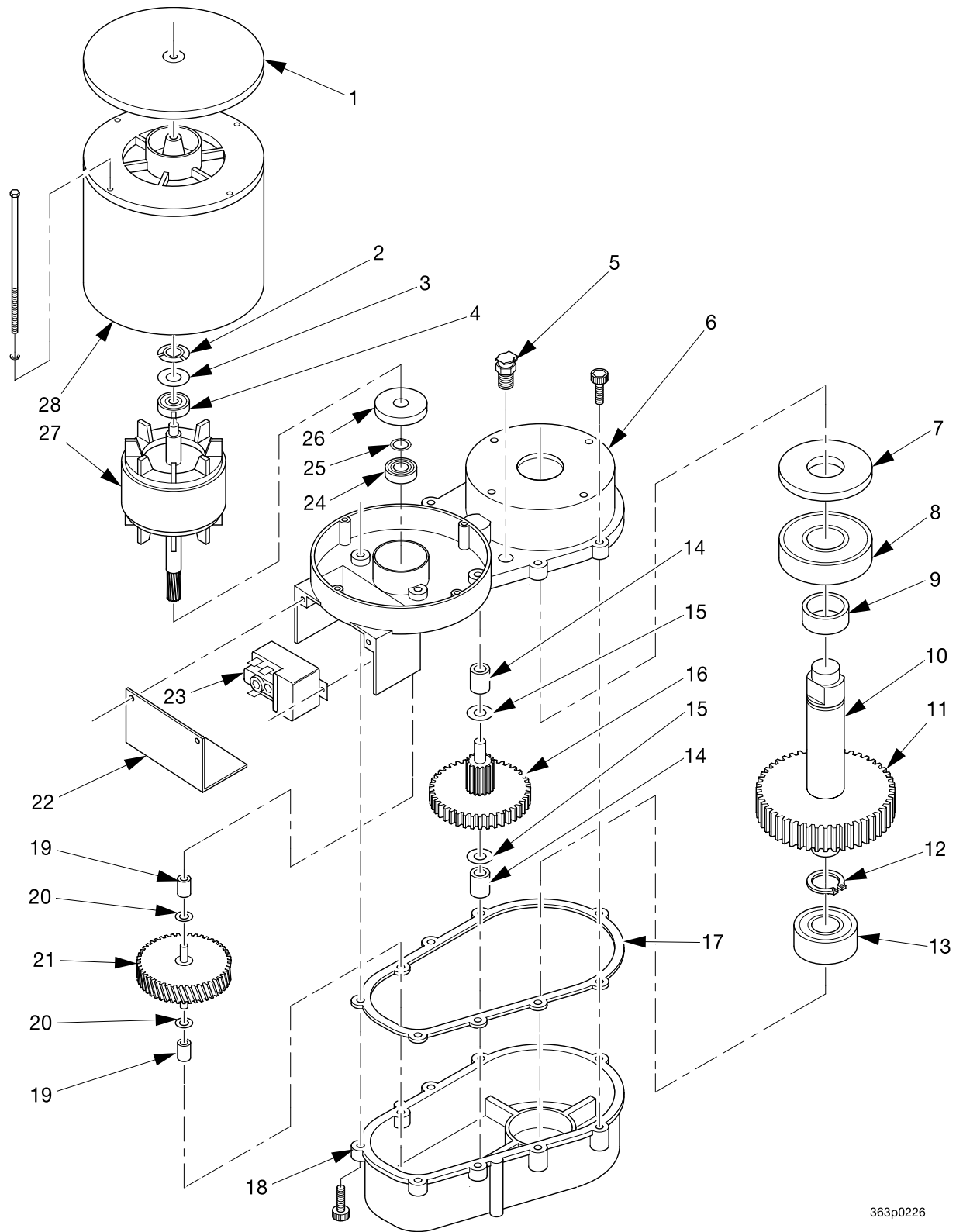


317p0051

FIGURE 54: ICEMAKER - MISCELLANEOUS PARTS

TABLE 54: ICEMAKER - MISCELLANEOUS PARTS

INDEX	PART NUMBER	DESCRIPTION	QTY
1	3174063	DOOR - BACK PLATE	1
2	3014049	GASKET	2
3	3014081	DOOR	1
4	3114081	SLEEVE - TUBULAR - DOOR	2
5	3014061	INSULATION - DOOR	1
6	3014101	INSULATION PLATE	1
7	3014055	SPRING - LEVER	1
8	3114132	SPACER - UPPER	1
9	3114078	SPACER - LOWER - 3/8 LONG	1
10	3174064	DRIVE BAR AND LINK ASSEMBLY	1
11	3114099	SPRING - PLUNGER	1
12	6104220	RETAIN RING TRUARC 5133-18H SS	6
13	3014062	SOLENOID 50HZ/60HZ	1
14	3104172	PIN - CLEVIS	1
15	3174065	BUSHING	2
16	3014056	PIN - DRIVE	1
17	3114079	SPRING - TORSION - DOOR - LOWER	1
18	3174066	BRACKET	1
19	3014117	INSULATOR - SWITCH	1
20	3014047	SWITCH	1
21	3014057	PIN - PIVOT	1
22	3114097	SPRING - TORSION - DOOR - UPPER	1



363p0226

FIGURE 55: ICEMAKER MOTOR

TABLE 55: ICEMAKER MOTOR

INDEX	PART NUMBER	DESCRIPTION	QTY
1	3174053	MOTOR SHIELD	1
2	3174054	SPRING WASHER	1
3	3174055	WASHER	1
4	3174056	BEARING	1
5	3174057	OILER ASSEMBLY	1
6	3154014	GEAR MOTOR COVER	1
7	3154015	OIL SEAL - OUTPUT SHAFT	1
--	3274001	KIT, OUTPUT GEAR (CONTAINS ITEMS 8-13, NOT AVAILABLE SEPARATELY)	--
8	--	UPPER OUTPUT BEARING	1
9	--	UPPER SPACER	1
10	--	OUTPUT SHAFT	1
11	--	OUTPUT GEAR	1
12	--	E-RING	1
13	--	LOWER OUTPUT BEARING	1
14	3014268	BEARING - NEEDLE	2
15	3014269	WASHER NYLON #4	2
16	3014152	GEAR/PIN ASSEMBLY #4-#5	1
17	3014157	GASKET	1
18	3174059	GEAR CASE	1
19	3014267	BEARING NYLON #2	2
20	3014266	WASHER NYLON #2	2
21	3014149	GEAR/PIN ASSEMBLY #2-#3	1
22	3174060	COVER - JUNCTION BOX	1
23	3014069	RELAY STARTER - 115 V	1
	3174081	RELAY - STARTER - 220 V/50 HZ	
24	3014254	BEARING - MOTOR - LOWER	1
25	3014253	WASHER - SHOULDER	1
26	3014150	SEAL - SHAFT	1
27	3174061	ROTOR - 115 V	1
	3174080	ROTOR - GENERATOR - 230 V/50 HZ	
28	3174062	MOTOR BODY - 115 V	1
	3174079	MOTOR BODY - 230 V/50 HZ	
--	3154010	HARNESS - GEAR MOTOR	1

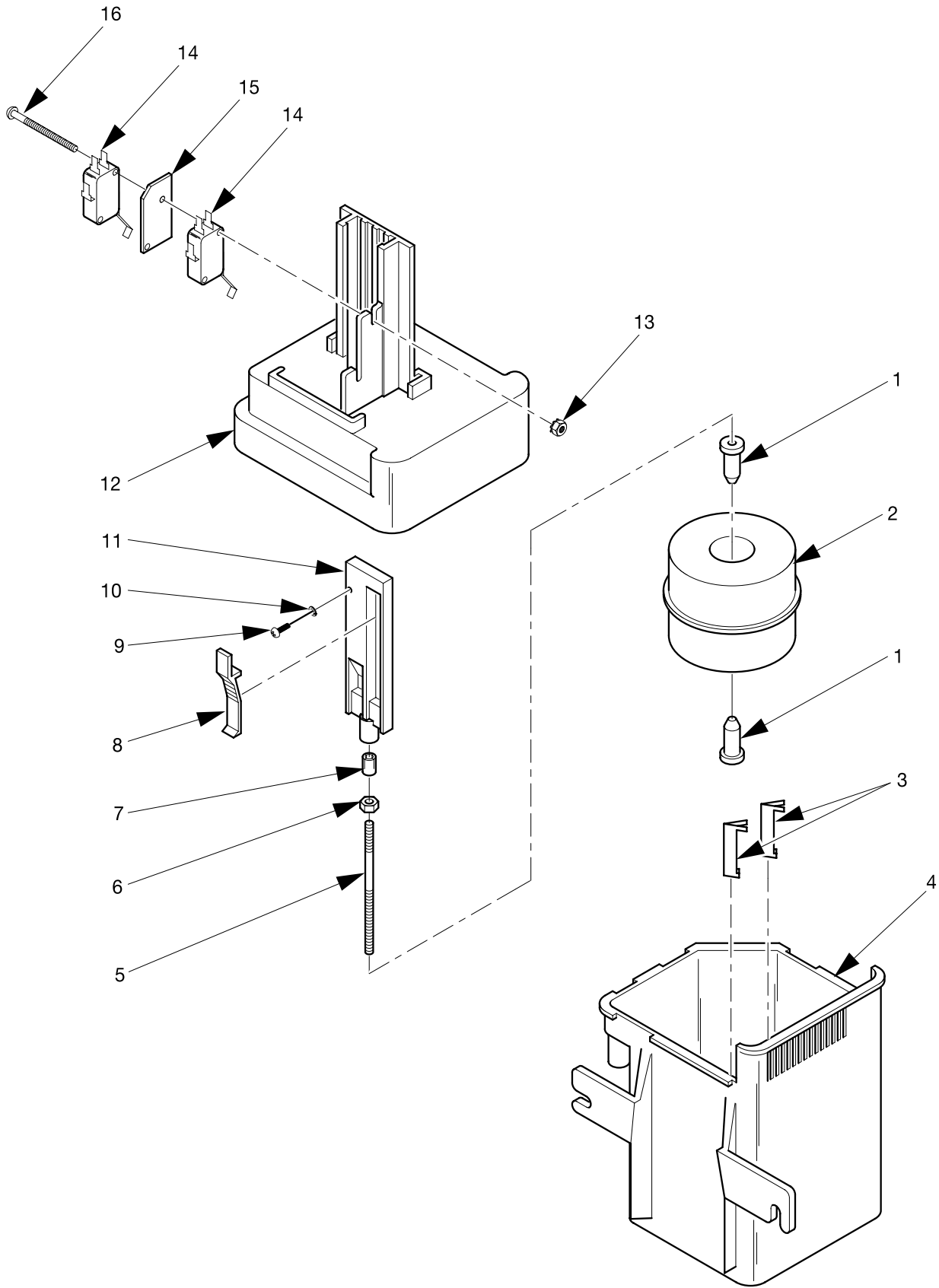


FIGURE 56: WATER FEEDER ASSEMBLY - USA/GERMANY

363p0222

TABLE 56: WATER FEEDER ASSEMBLY - USA/GERMANY

INDEX	PART NUMBER	DESCRIPTION	QTY.
--	3178005	WATER FEEDER ASSEMBLY - STANDARD (USA)	--
1	3118006	BUSHING - FLOAT SHAFT	2
2	3118003	FLOAT ASSEMBLY - WATER FEEDER	1
3	3128128	INSERT - WATER FEEDER CUP	2
4	3118002	CUP - WATER FEEDER	1
5	3118005	SHAFT - FLOAT WATER FEEDER	1
6	6104429	KEPS NUT # 6-32 S.S. EXT LW	1
7	6104194	DODGE EXPANSION INSERT	1
8	3118007	ACTUATOR - SWITCH - LOW WATER LEVEL	1
9	3128169	SCREW - #4-40 X.250 RHS T/C SS	1
10	6138080	LOCKWASHER - #4 - SPLIT TYPE	1
11	3118008	ACTUATOR - SWITCH WATER LEVEL	1
12	3158028	COVER - WATER FEEDER CUP	1
13	1217159	#4-40 KEPS W/EXT L/WASH ZP	2
14	3118011	SWITCH - V3L-1260-D8	2
15	6112042	INSULATOR - SWITCH	2
16	3113003	SCREW - #4 40 X 1 1/4 RHS	2

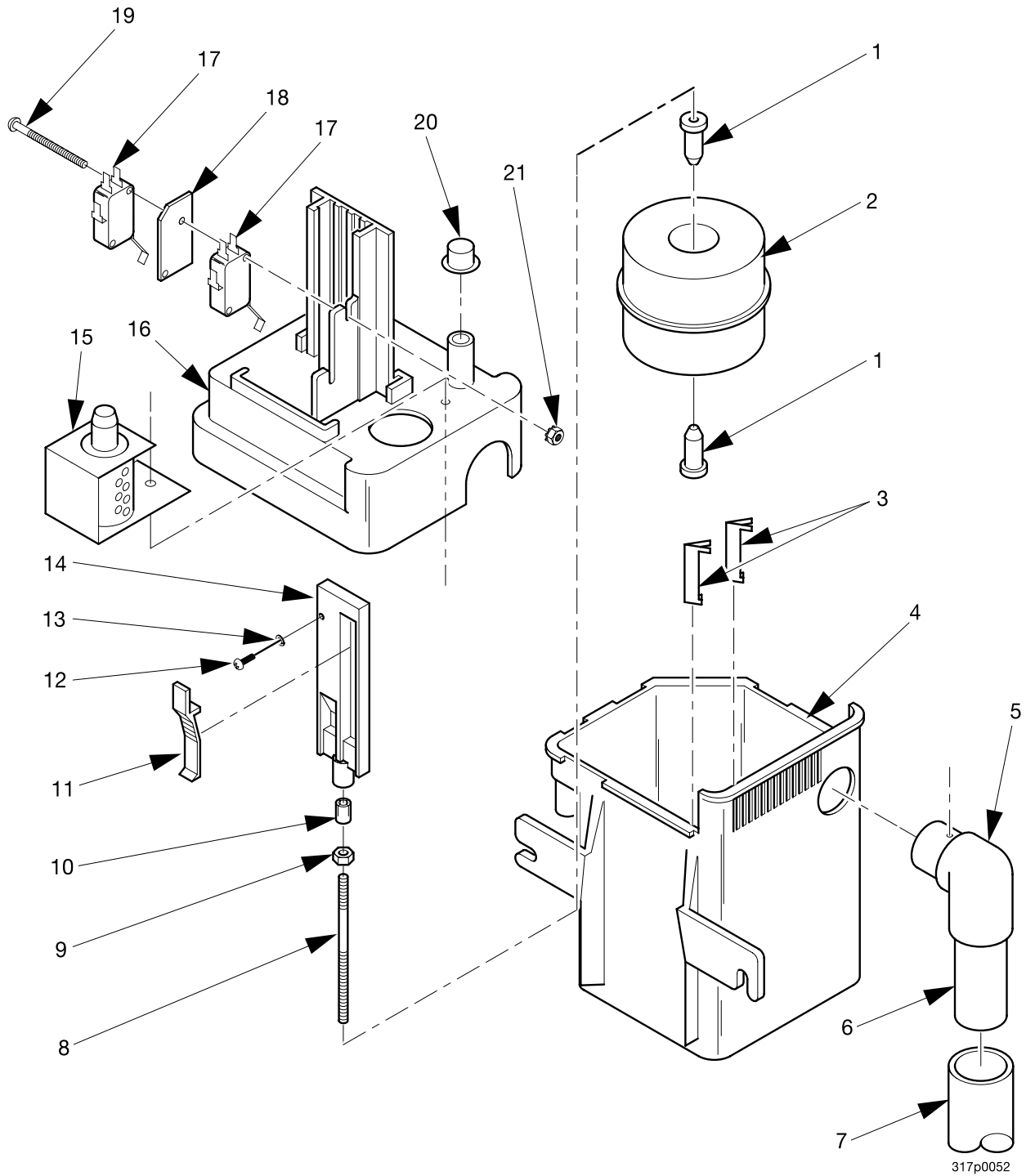
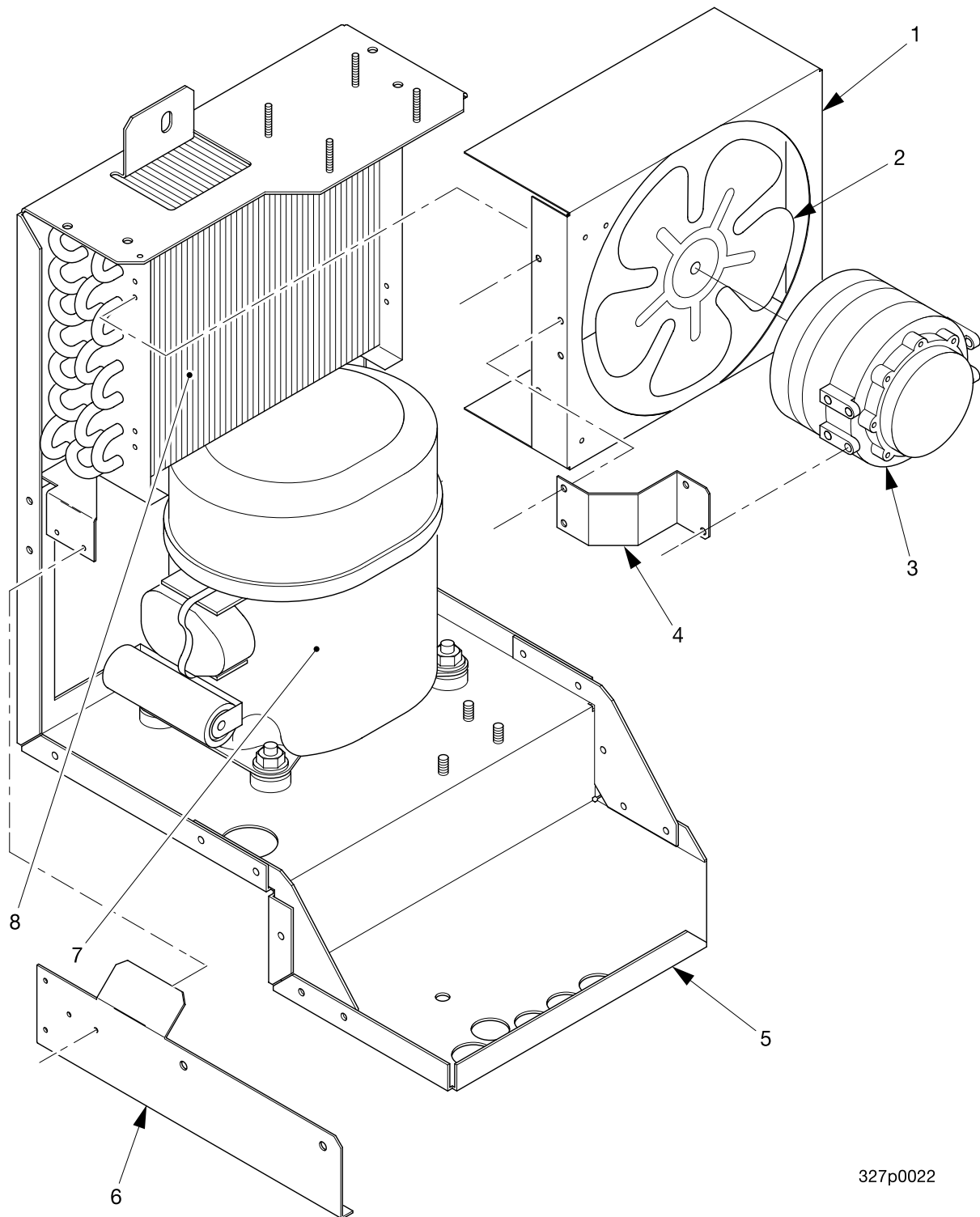


FIGURE 57: WATER FEEDER ASSEMBLY - UK/France

TABLE 57: WATER FEEDER ASSEMBLY - UK/FRANCE

INDEX	PART NUMBER	DESCRIPTION	QTY.
1	3118006	BUSHING - FLOAT SHAFT	2
2	3118003	FLOAT ASSEMBLY - WATER FEEDER	1
3	3128128	INSERT - WATER FEEDER CUP	2
4	3618018	CUP - WATER FEEDER	1
5	3618152	STREET ELBOW 3/4 INCH MODIFIED	1
6	3618141	OVERFLOW UK BONDED TO 3618152	1
7	3618020	TUBING - PLASTIC - 1.125OD X .875 ID X 23 INCHES LONG	1
8	3118005	SHAFT - FLOAT WATER FEEDER	1
9	6104429	KEPS NUT #6-32 S.S. EXT LW	2
10	6104194	DODGE EXPANSION INSERT	1
11	3118007	ACTUATOR - SWITCH - LOW WATER LEVEL	1
12	3128169	SCREW - #4-40 X .250 RHS T/C SS	1
13	6138080	LOCKWASHER - #4 - SPLIT TYPE	1
14	3118008	ACTUATOR - SWITCH WATER LEVEL	1
15	3618036	ADAPTER AND AIR GAP ASSEMBLY	1
16	3618100	COVER - WATER FEEDER CUP	1
17	3118011	SWITCH - V3L - 1260 - D8	2
18	6112042	INSULATOR - SWITCH	2
19	3113003	SCREW - #4-40 X 1 1/4 RHS	2
20	3618041	CAPLUG	1
21	1217159	#4-40 KEPS - W/EXT L/W - ZP	2

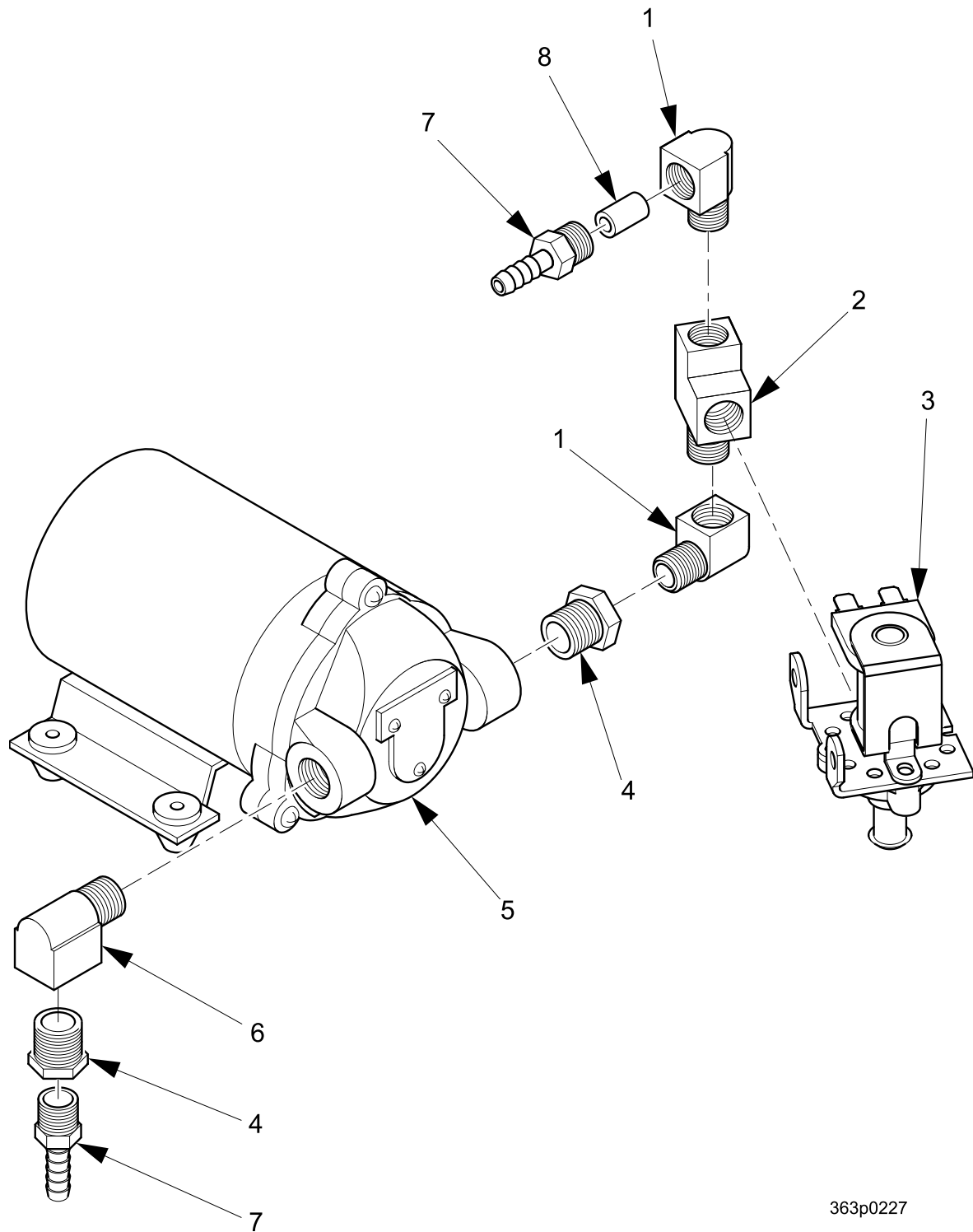


327p0022

FIGURE 58: ICEMAKER CONDENSER AND COMPRESSOR

TABLE 58: ICEMAKER CONDENSER AND COMPRESSOR

INDEX	PART NUMBER	DESCRIPTION	QTY
--	3634213	ICEMAKER CONDENSING UNIT - 115V	REF
	3634214	ICEMAKER REFRIGERATION - 230V	
1	3634054	SHROUD - CONDENSER FAN	1
2	4774027	BLADE - CONDENSER FAN	1
3	4304092	MOTOR - CONDENSER FAN - 115V	1
	4774122	MOTOR - CONDENSER FAN - 230V	
4	3634055	BRACKET - CONDENSER FAN	1
5	3634156	ICE MAKER FRAME ASSEMBLY	1
6	3634186	BRACKET - FEEDER CUP	1
7	-	COMPRESSOR COMPONENTS - LISTED BELOW	REF
--	3164078	COMPRESSOR - AE2413Y-115V (NOT SHOWN)	1
--	4644019	COMPRESSOR - 1/3 HP - 220V - R-134A-DANF.	1
--	4304194	DRIER (NOT SHOWN)	1
--	3164079	BAG ASSEMBLY - COMPRESSOR COMPONENTS - 115V (NOT SHOWN) (INCLUDES: RELAY, OVERLOAD, CAPACITOR)	1
--	--	ASSEMBLY, OVERLOAD SPRING, CAPACITOR (NOT SHOWN)	--
--	--	BRACKET, GROMMETS, SLEEVES, COVER AND COVER HOLDING CLIP (NOT SHOWN)	--
--	4304057	COVER (230V) (NOT SHOWN)	1
--	4304058	CORD RELIEF (230V) (NOT SHOWN)	1
--	4644021	STARTING RELAY (230V) (NOT SHOWN)	1
--	9988902	CAPACITOR - START - 80MFD - 220/250V (230V) (NOT SHOWN)	1
--	3284024	SLEEVE (230V) (NOT SHOWN)	4
--	3284023	GROMMET (230V) (NOT SHOWN)	4
8	3634053	CONDENSER	1

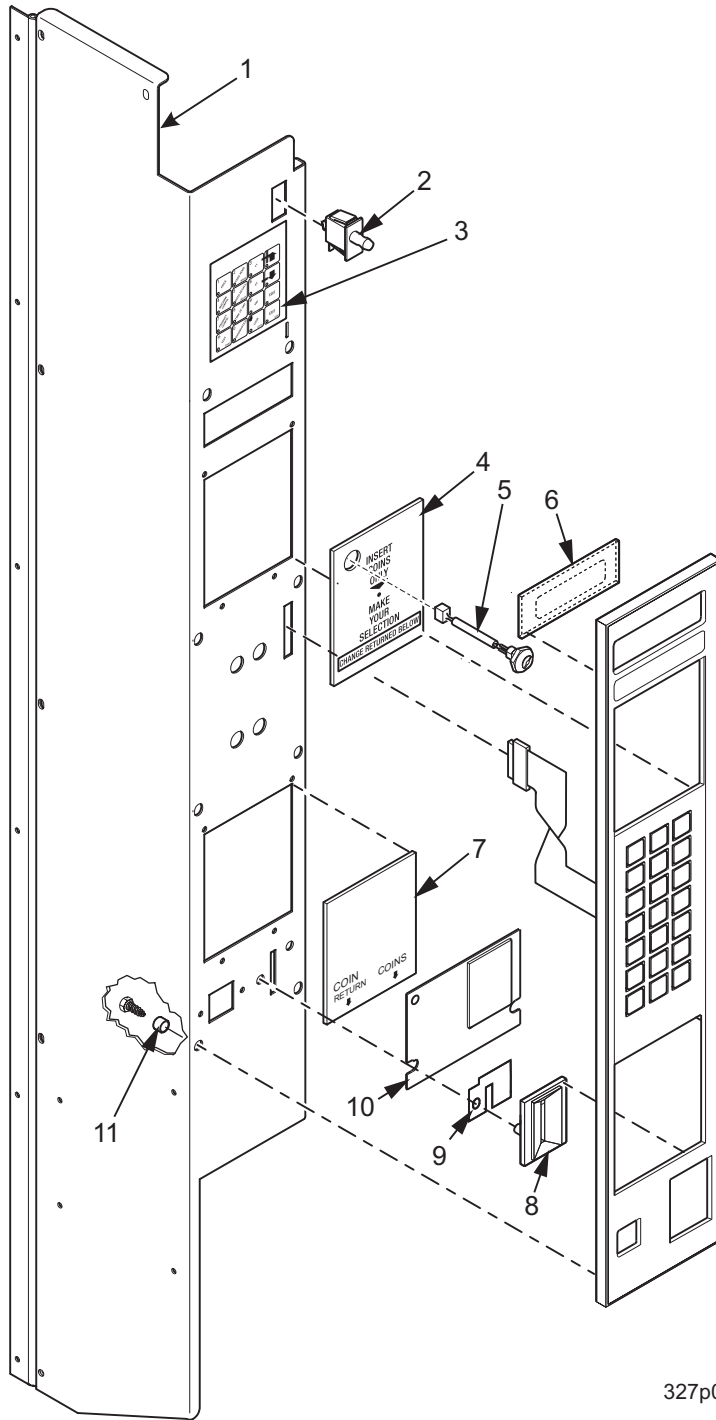


363p0227

FIGURE 59: PUMP AND VALVE ASSEMBLY - COOLSAN

TABLE 59: PUMP AND VALVE ASSEMBLY - COOLSAN

INDEX	PART NUMBER	DESCRIPTION	QTY
--	3634174	PUMP & VALVE ASSEMBLY - COOLSAN - 115V	--
	3638130	PUMP & VALVE ASSEMBLY - COOL SAN - 230 V	
1	3128303	90 STREET ELBOW 1/4 NPTF	2
2	3128317	STREET TEE 1/4 NPTF-PH#2225P-4	1
3	3158072	VALVE - DRAIN - EATN S60 #678125-1 - 115 V	1
	3634041	VALVE - DRAIN (240 VAC)	
4	6408117	BUSHING - 1/4 X 3/8 - BRASS - 209P-6-4	2
5	3638022	PUMP - CARBONATOR - 115V - W/TERM.	1
	3638078	PUMP - CARBONATOR - 230 V	
6	6508103	STREET ELBOW - ANDERSON #116A-C	1
7	6104159	HOSE CONNECTOR	2
8	3634056	RESTRICTOR - PUMP - COOLSAN	1
--	3104058	COOLSAN SOLUTION - ICEMAKER CLEANER (NOT SHOWN) THIS ITEM AVAILABLE THROUGH THE PARTS DEPARTMENT: 1-800-621-7278	--



327p0063

FIGURE 60: MONETARY PANEL ASSEMBLY - PART 1 OF 2

TABLE 60: MONETARY PANEL ASSEMBLY - PART 1 OF 2

INDEX	PART NUMBER	DESCRIPTION	QTY.
1	1575094	PANEL WELD ASSEMBLY - MONETARY - NV BLACK	1
2	1401110	SWITCH	1
3	6335002	SERVICE KEYPAD ASSEMBLY	1
4	--	MONETARY INSERT - UPPER (SHOWN W/ FREE VEND OPTION)	1
5	9989639	SWITCH ASSEMBLY - FREE VEND	OPT
6	1572013	LENS - DISPLAY	1
7	--	MONETARY INSERT - LOWER	OPT
8	1472223	COIN INSERT	OPT
9	1472222	COIN BLOCK	OPT
10	1575044	COVER PLATE ASSEMBLY - NO COIN OPTION (INCLUDES NEXT 2 ITEMS)	OPT
--	1475103	COVER PLATE	--
--	1475104	COVER - INSERT	--
11	2302053	SPACER CUP	--

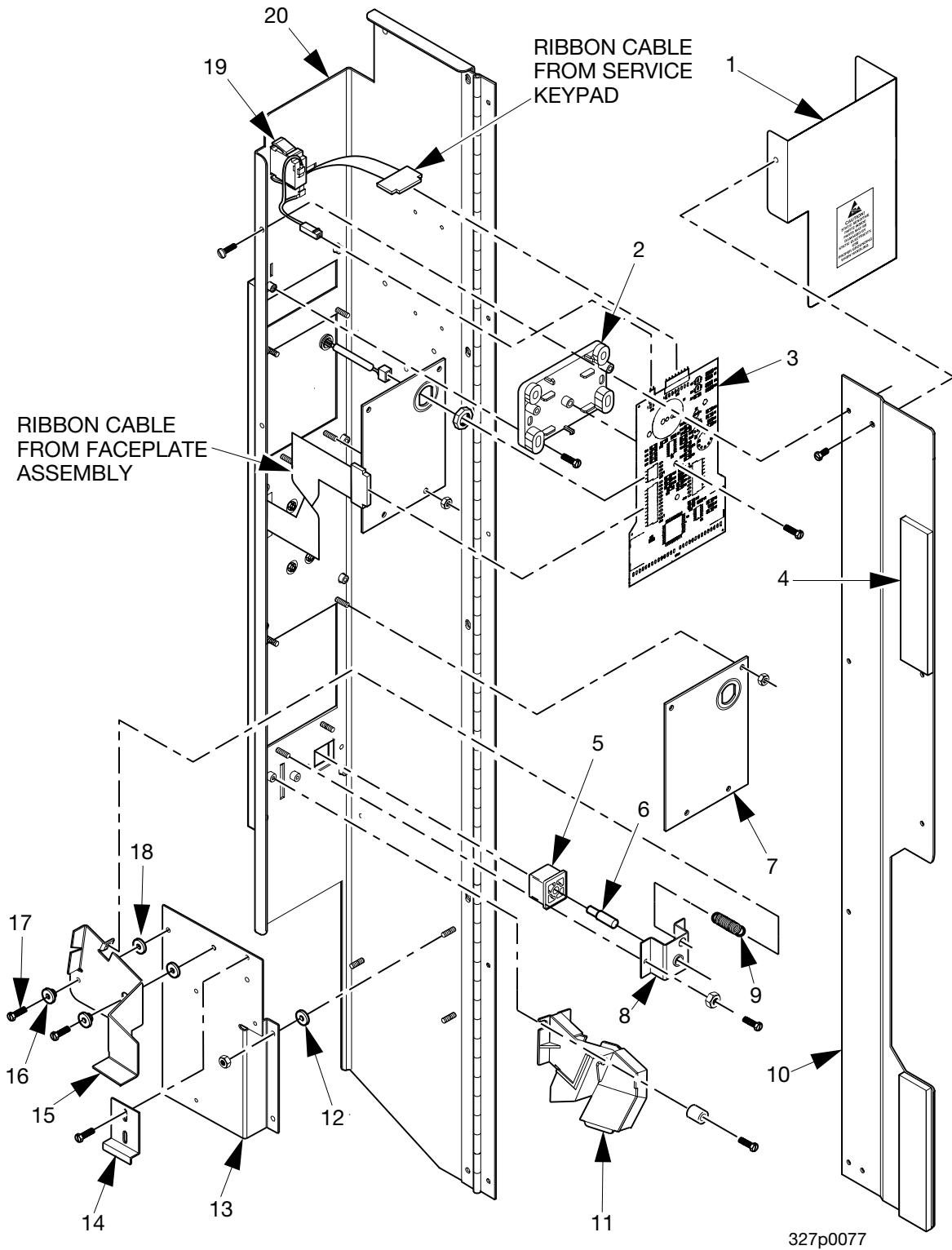


FIGURE 61: MONETARY PANEL ASSEMBLY - PART 2 OF 2

TABLE 61: MONETARY PANEL ASSEMBLY - PART 2 OF 2

INDEX	PART NUMBER	DESCRIPTION	QTY.
1	1575029	COVER - DISPLAY	1
2	1475099	BRACKET - PCB - DISPLAY	1
3	9989823	DISPLAY W/BRACKET ASSEMBLY	1
4	3122056	MAGNET RETAINER COIN CHANGER	1
5	1475026	BUTTON - COIN RETURN	1
6	1475072	SHAFT - RETURN BUTTON	1
7	--	UPPER OR LOWER MONETARY POSITION	--
8	1571079	BRACKET - COIN RETURN BUTTON	1
9	1127808	SPRING SHELF RESET	1
10	1575057	PLATE - MAGNET MOUNTING	1
11	1575003	COIN CHUTE ASSEMBLY	OPT.
12	9900067	WASHER STEEL 7/16 X.203 X.062	2
--	1571081	BRACKET ASSEMBLY - COIN MECHANISM (ITEMS 14-16)	--
13	1571078	BRACKET - COIN MECHANISM	1
14	6231037	CLAMP - CABLE	1
15	1571113	ARM - SCAVENGER	1
16	2228011	SPACER - RELEASE ARM	2
17	9900106	SCREW #8-32 X 3/8 ACORN HEX	2
18	2204093	WASHER - SCAVENGER BAR	1
19	1401110	SWITCH	1
20	1575094	PANEL WELD ASSEMBLY - MONETARY	1

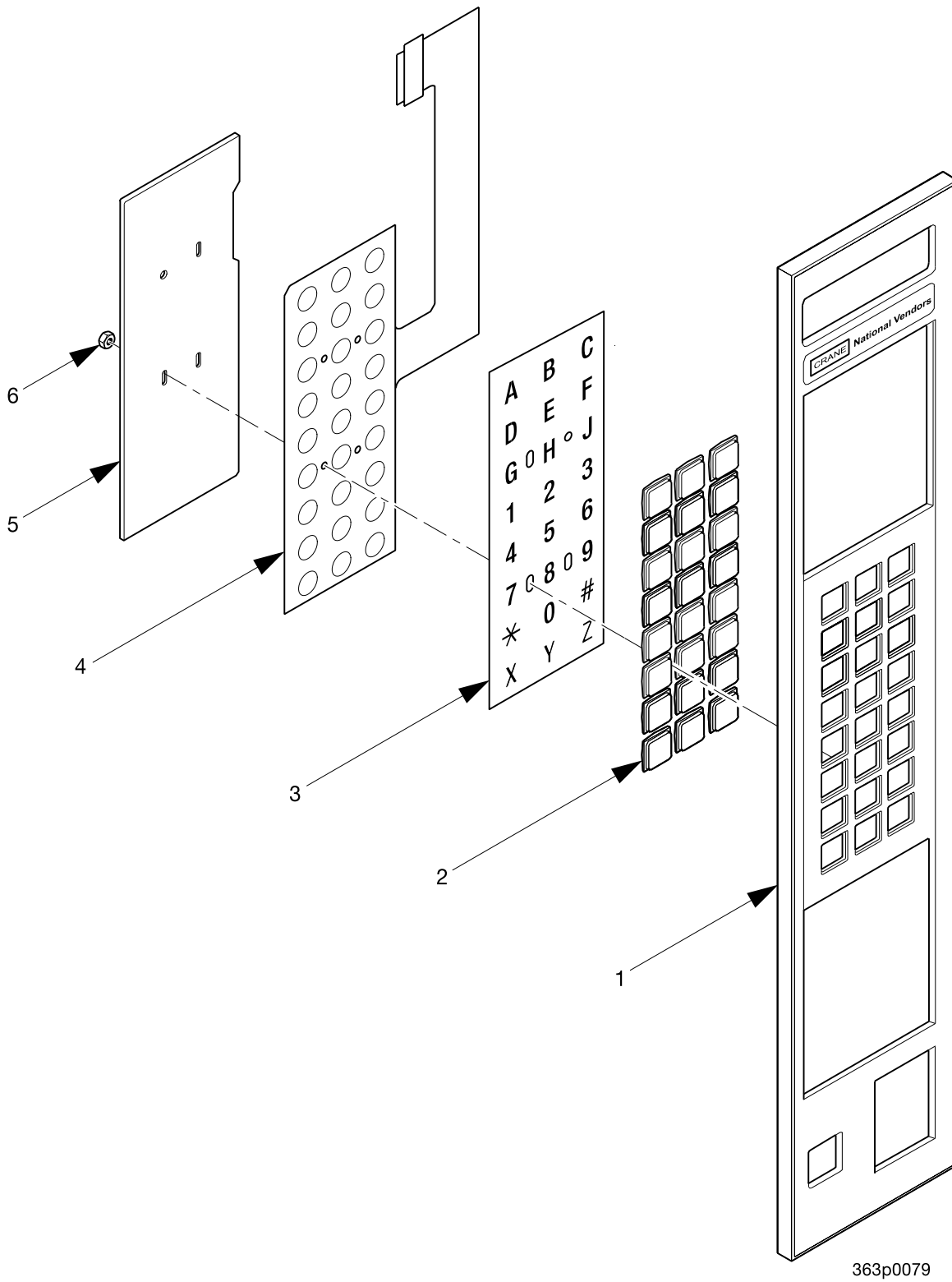


FIGURE 62: FACE PLATE ASSEMBLY

TABLE 62: FACE PLATE ASSEMBLY

INDEX	PART NUMBER	DESCRIPTION	QTY
--	1575098	FACEPLATE ASSEMBLY (327)	--
	3635015	FACEPLATE ASSEMBLY (328)	
	1575099	FACEPLATE ASSEMBLY - NO COIN (327)	
	3635016	FACEPLATE ASSEMBLY - NO COIN (328)	
1	1575001	SELECTION PANEL - MONETARY (327)	1
	3635004	PANEL - SELECTION - MONETARY	
2	1472251	LENS - PUSH BUTTON (327)	21
		LENS - PUSH BUTTON (328)	24
3	1575010	LETTER SHEET - SELECTION SWITCH (327)	1
	1575058	LETTER SHEET - SELECTION SWITCH (328)	
4	7215019	MEMBRANE SWITCH ASSEMBLY - SELECT	1
5	1575091	PLATE - SELECTION SWITCH - BACKUP-W/	1
6	1475089	1/8 NUT - SELF - THREADING	4

THE FREE VEND INSERT IS THE SAME AS SHOWN WITH THE ADDITION OF A HOLE IN THE UPPER LEFT CORNER FOR THE FREE VEND KEY SWITCH

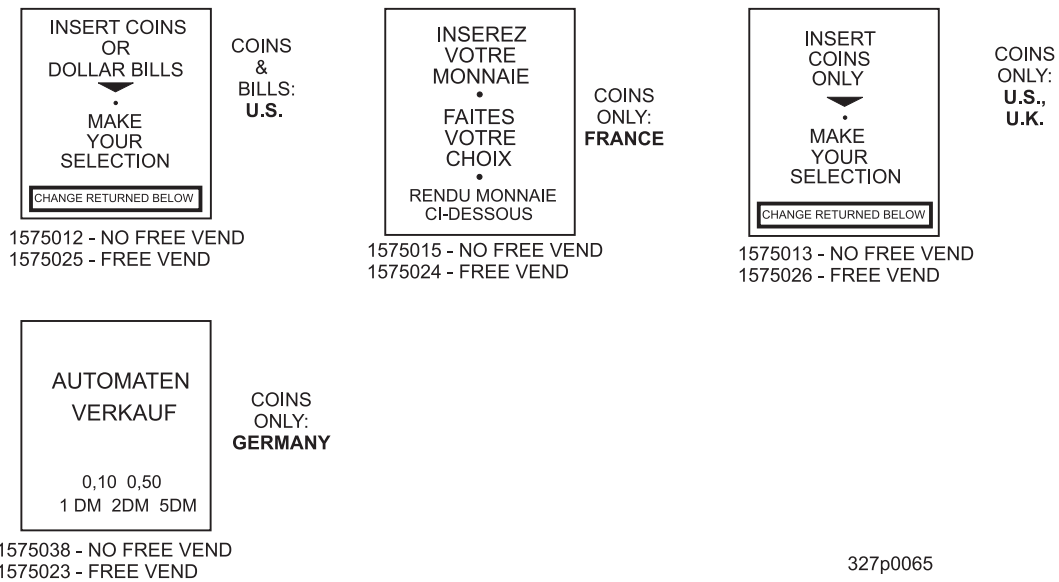


FIGURE 62A: MONETARY INSERTS - UPPER POSITION

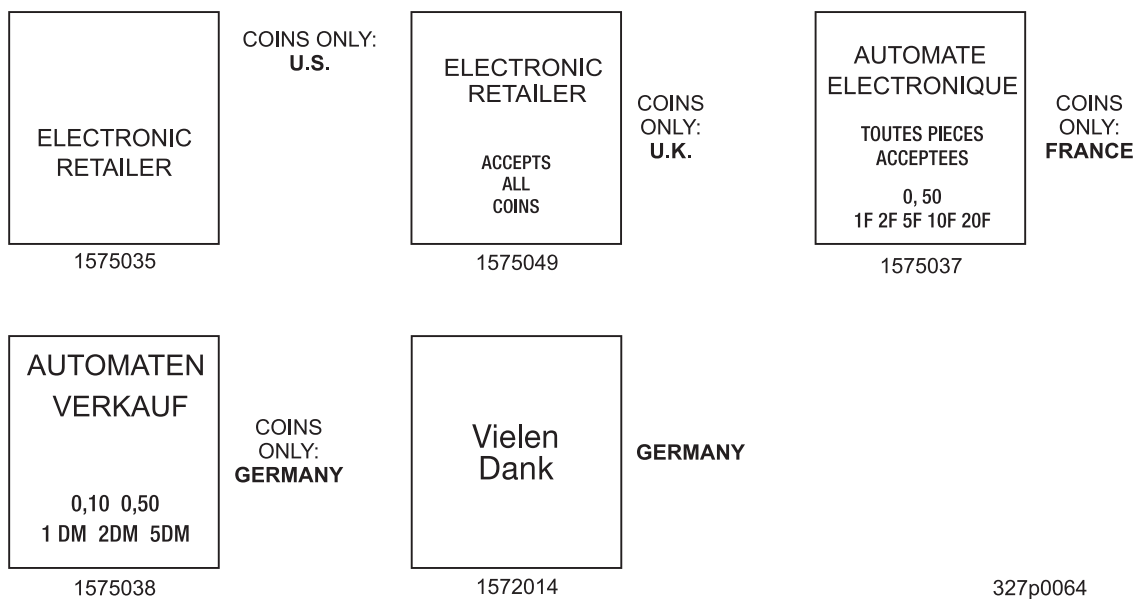
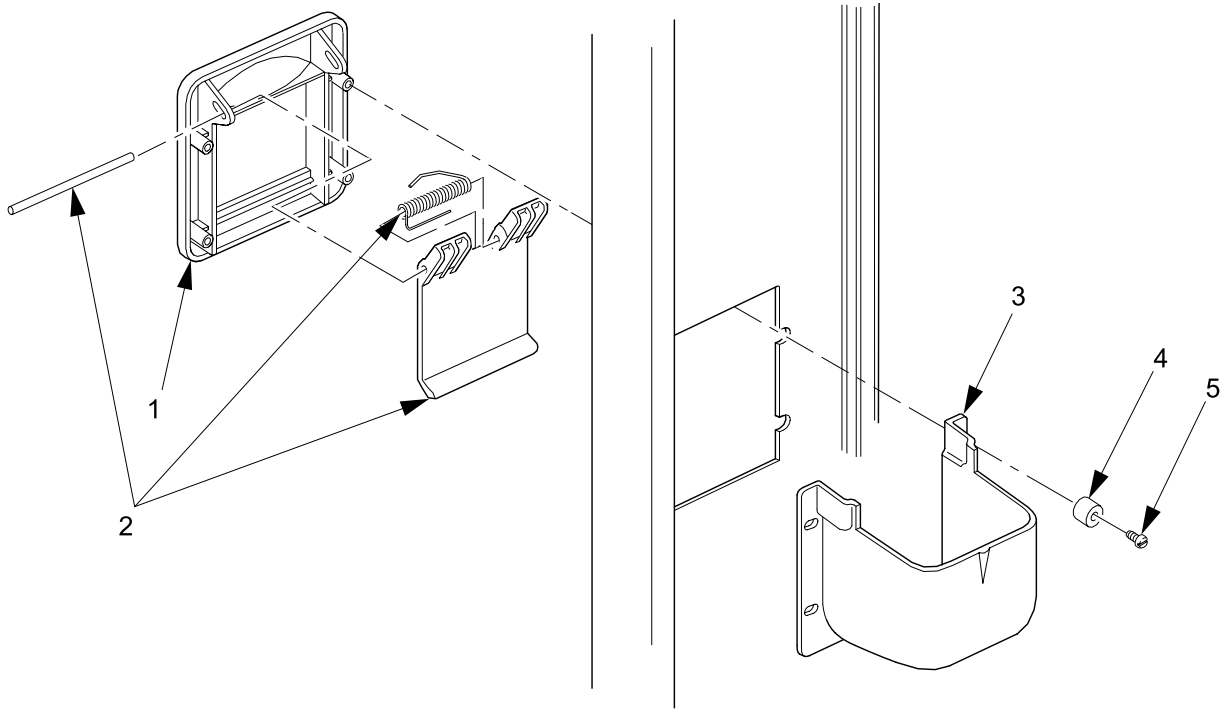
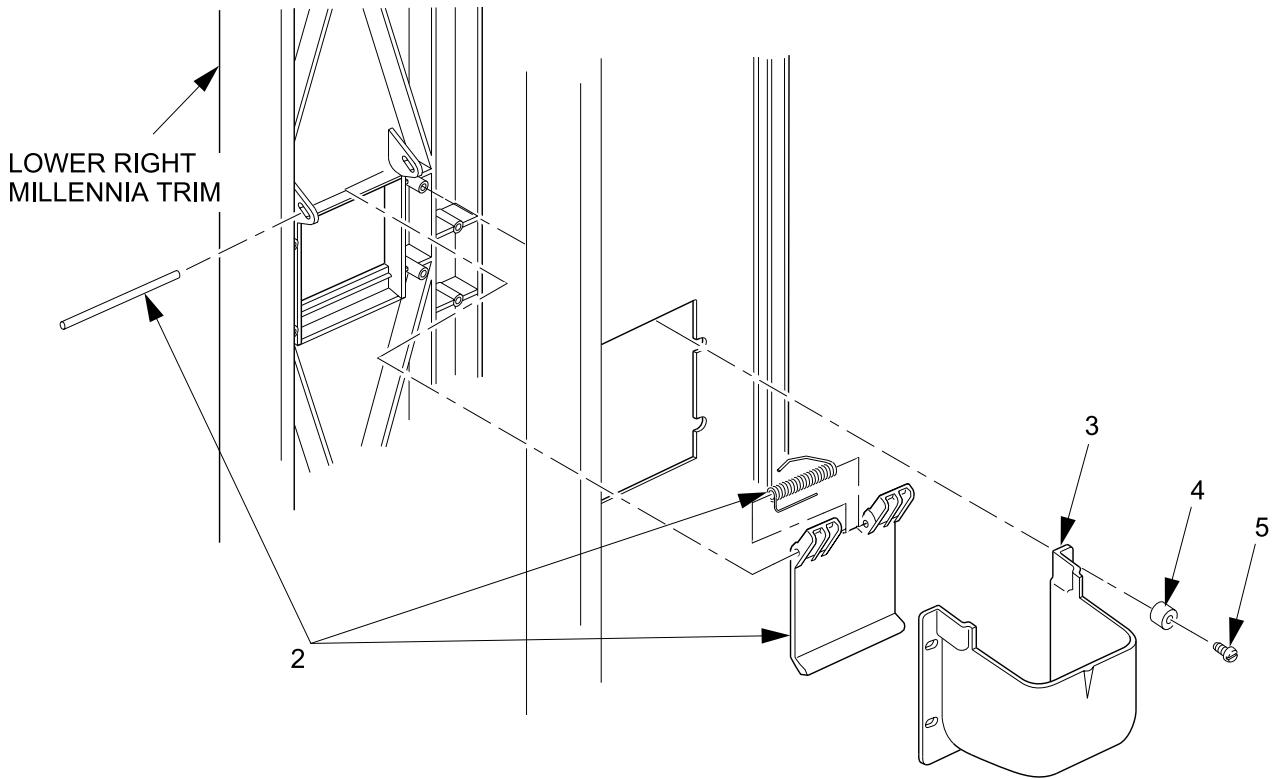


FIGURE 62B: MONETARY INSERTS - LOWER POSITION



COIN RECEPTACLE ASSEMBLY - STANDARD



COIN RECEPTACLE ASSEMBLY - MILLENNIA

497p0090

FIGURE 63: COIN RECEPTACLE ASSEMBLIES

TABLE 63: COIN RECEPTACLE ASSEMBLIES

INDEX	PART NUMBER	DESCRIPTION	QTY.
--	1672080	GATE & TRIM ASSEMBLY - COIN RETURN (INCLUDES ITEMS 1, 2)	--
1	1572011	TRIM - COIN CUP - BLACK (STANDARD DOOR ONLY)	1
2	1672082	GATE, SPRING & SHAFT ASSEMBLY (INCLUDES NEXT 3 ITEMS)	1
--	4245084	SHAFT - DOOR - COIN RETURN	1
--	4245083	SPRING - COIN RETURN DOOR	1
--	4245082	GATE - COIN RETURN	1
3	1572010	CUP - COIN RETURN	1
4	2302053	SPACER - CUP	4
5	9900160	SCREW - #8-18 X 1/2" PHIL.PAN HD.	4

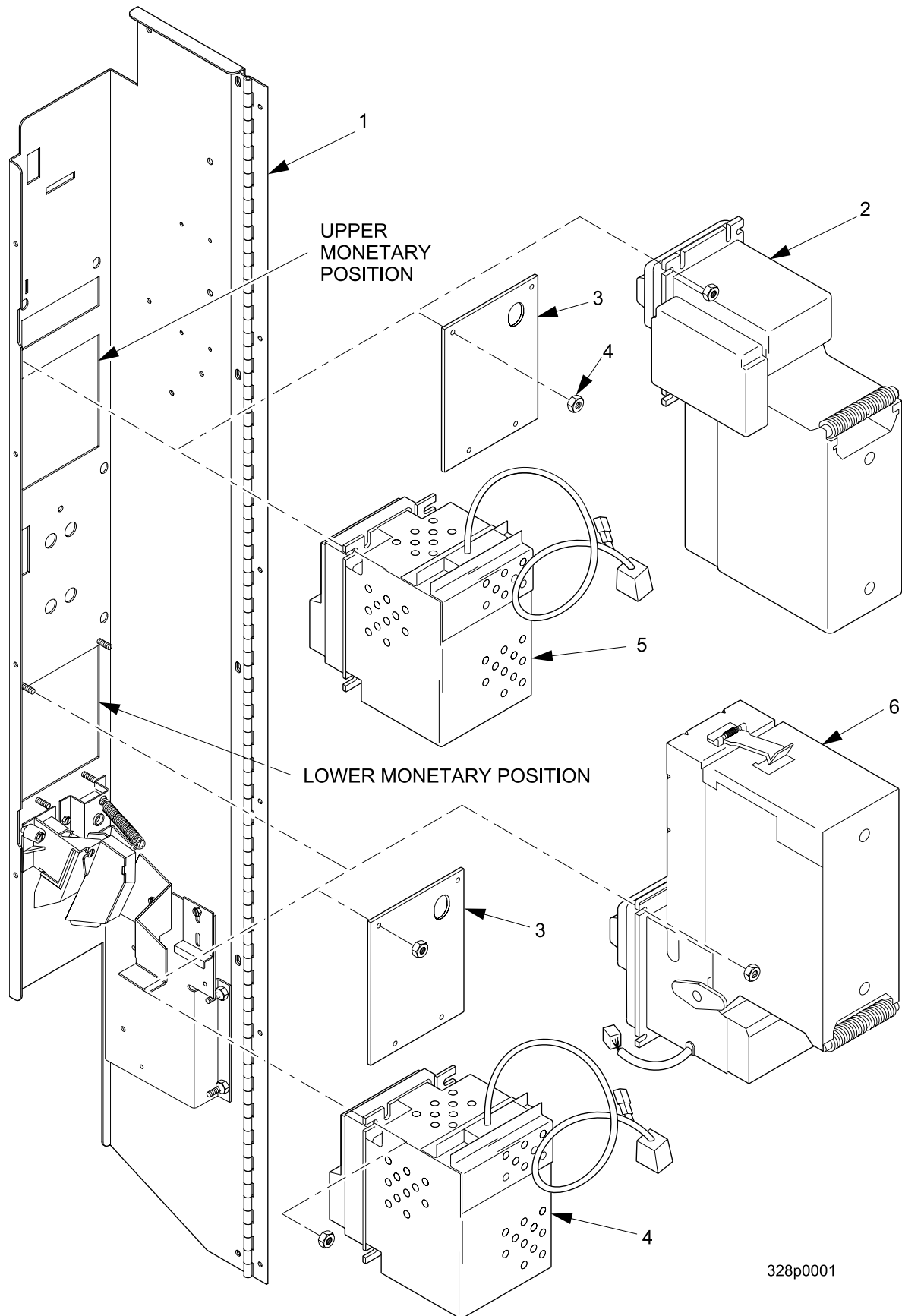


FIGURE 64: CARD READER AND BILL VALIDATOR COMBINATIONS

TABLE 64: CARD READER AND BILL VALIDATOR COMBINATIONS

INDEX	PART NUMBER	DESCRIPTION	QTY.
1	1575055	HINGE ASSEMBLY - MONETARY	1
2	--	DOWNSTACK BILL VALIDATOR	OPT
3	1575048	INSERT BACKING PLATE	*
4	9900081	NUT #8-32 KEPS ZINC PLATE	8
4	--	DEBIT CARD READER	OPT
5	--	UPSTACK BILL VALIDATOR	OPT
6	--	DEBIT CARD READER	OPT

* - QUANTITY VARIES WITH MONETARY COMPONENT CONFIGURATION

TABLE 64A: COIN MECHANISM OPTIONS

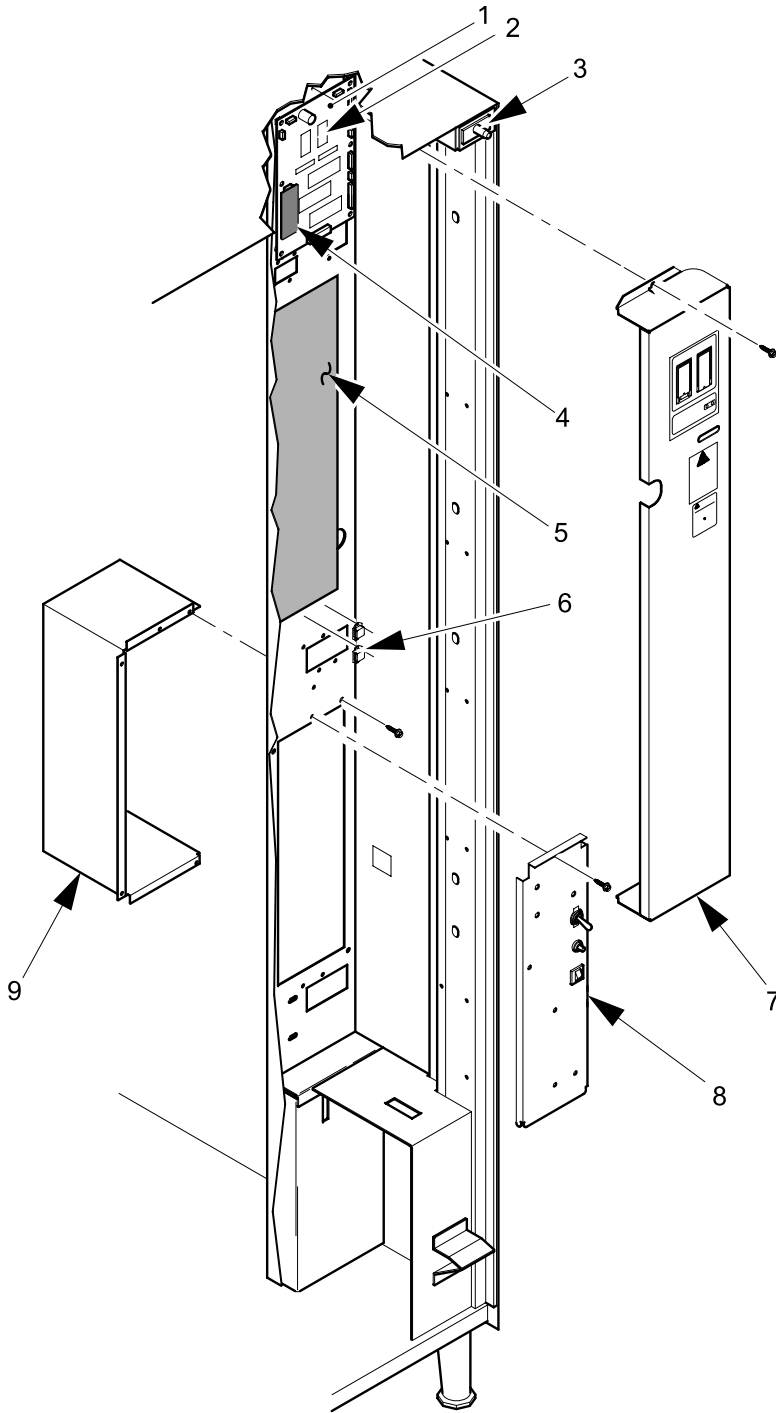
PART NUMBER	DESCRIPTION
"DUMB"	
5900096	COINCO 9340 L
5900096	COINCO 9340 L - BRC
5900116	MARS - TRC 6000
6400002	MARS - TRC 6010 XV - 24V - W/15 PIN PLUG
6400003	COINCO - 9302 LF - 24 V - W/15 PIN PLUG
"MDB"	
5900209	CONLUX - USLZ - 001 "MDB"
5900279	CONLUX CCM5G-4
5900216	MARS-VN4000, 110V US 5,10,25,\$1
5900276	MARS - VN4510 - 5/10/25/25
5900289	MARS COIN - VN4510 MDB - DBL DIME 5/10/10/25
5900243	MARS - TRC6512 "MDB"
5900214	MEI - VN4510 - 5/10/25/\$1 MDB
5900269	COINCO USQ - G701 - MDB-4 TUBE
5900270	COINCO USQ - G702 MDB-4 TUBE
5900244	COINCO - USD - G701 "MDB"
5900213	COINCO - 9302GX "MDB"

TABLE 64B: BILL VALIDATOR OPTIONS

PART NUMBER	DESCRIPTION	HARNESS P/N
"SERIAL"		
5900248	VALIDATOR - MARS AE2611 - U5E	1679053
5900193	VALIDATOR - MARS S2000 - VN2511 - U5E	1679053
5900205	VALIDATOR - MARS - VN 2512 - U5E 24V	1579032 1579031 9989718
5900221	VALIDATOR - COINCO - BA 32 SA - 24V	1579032 9989718
"MDB"		
5900283	COINCO - MAGPRO - 32R SIGNAL QTY 6, 300 BILL STACKER	--
5900284	COINCO - MAGPRO - 30SA SIGNAL QTY 2	--
5900285	COINCO - MAGPRO - 32SA SIGNAL QTY 1	--
5900287	COINCO - MAGPRO - MAG50SA SIGNAL QTY 1	--
5900290	COINCO MAGPRO52R	--
5900303	VALIDATOR - COINCO BP4SX	--
5900267	CONLUX NBM3140 MDB - 400	--
5900210	VALIDATOR - MARS - VN 2512 - U5M/500	--
5900247	VALIDATOR - AE2612 - U5M "MDB"	--
"PULSE"		
5900198	MARS - S2000 - VN2311 - U5E 110V AC - COMP/500 - \$1&\$2,PULSE	--

TABLE 64C: CARD READER OPTIONS

PART NUMBER	DESCRIPTION	HARNESS P/N
1475107	DEBITEK #V15 - MM - NAT SYSTEM III	9989631
6331052	BRACKET - DEBITEK CONTROLLER	--
5900246	CARD READER - DEBITEK - KVIS - MDB	--

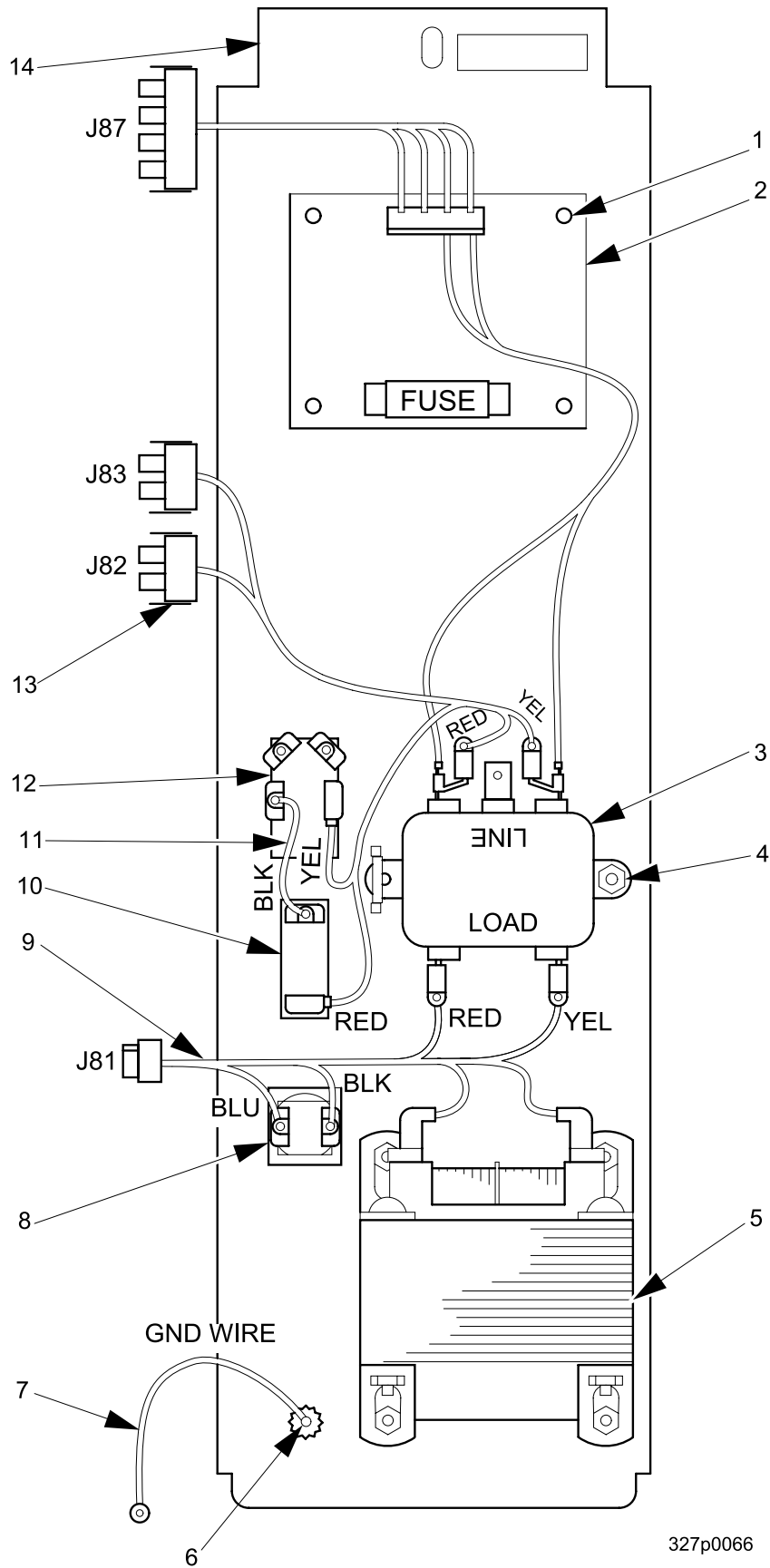


327p0057

FIGURE 65: POWER PANEL AND PCB ASSEMBLY

TABLE 65: POWER PANEL AND PCB ASSEMBLY

INDEX	PART NUMBER	DESCRIPTION	QTY.
--	3286006	MAIN CONTROL PCB WITH EPROM (INCLUDES INDEX NUMBERS 1 AND 2)	--
1	9989755	PCB ASSEMBLY - MAIN CONTROLLER	1
2	SEE LABEL	IC ASSEMBLY	1
3	--	BRACKET - SWITCH - INTERLOCK (SEE TABLE 21 FOR DETAILS)	REF
4	9989687	PCB ASSEMBLY - EXECUTIVE INTERFACE (USED WITH EXECUTIVE COIN MECHANISM OPTIONS)	OPT
5	3286010	PCB ASSEMBLY - COLD DRINK INTERFACE	1
6	9983778	TRIAC - 35 A - 600V	2
7	1571112	COVER - CONTROLLER AND INTERFACE PCB	1
8	3281086	POWER PANEL ASSEMBLY - 20A (U.S.) (SEE TABLE 66 FOR DETAILS)	1
	4521020	POWER PANEL ASSEMBLY - 230 V (U.K.) (SEE TABLE 67 FOR DETAILS)	
	4521041	POWER PANEL ASSEMBLY - 230 V (FR./GER.) (SEE TABLE 68 FOR DETAILS)	
9	1671022	HOUSING - POWER PANEL	1
--	1571029	MONEY BOX ASSEMBLY (NOT SHOWN)	1



327p0066

FIGURE 66: POWER PANEL ASSEMBLY -115 V (U.S.)

TABLE 66: POWER PANEL ASSEMBLY - 115V (U.S.)

INDEX	PART NUMBER	DESCRIPTION	QTY
--	3281086	POWER ASSEMBLY - DOMESTIC - 20A	--
1	1571035	STANDOFF - PCB - 3/8 SNAP LOCK (OPTIONAL)	4
2	9989659	PCB ASSEMBLY - DUMB MECH POWER SUPPLY	1
3	9989100	INTERFERENCE FILTER	1
4	9900081	NUT #8-32 KEPS ZINC PLATE	2
5	9989046	24V XFMR-DUAL PIR.-.187 TERM	1
6	1211110	8-32X1/4 RHS MACH SCREW ZP	1
7	9984094	WIRE - GROUND - 14"	1
8	9989674	CIRCUIT BREAKER - 4 AMP	1
9	1709001	JUMPER - TRANSFORMER - FOREIGN	1
10	9989673	CIRCUIT BREAKER - 20A	1
11	1709006	JUMPER - MAIN SWITCH TO BREAKER	1
12	9984629	SWITCH - TOGGLE - DPST - 20AMP	1
13	6739021	HARNESS - POWER PANEL	1
14	1701025	PLATE - HOUSING - PANEL	1

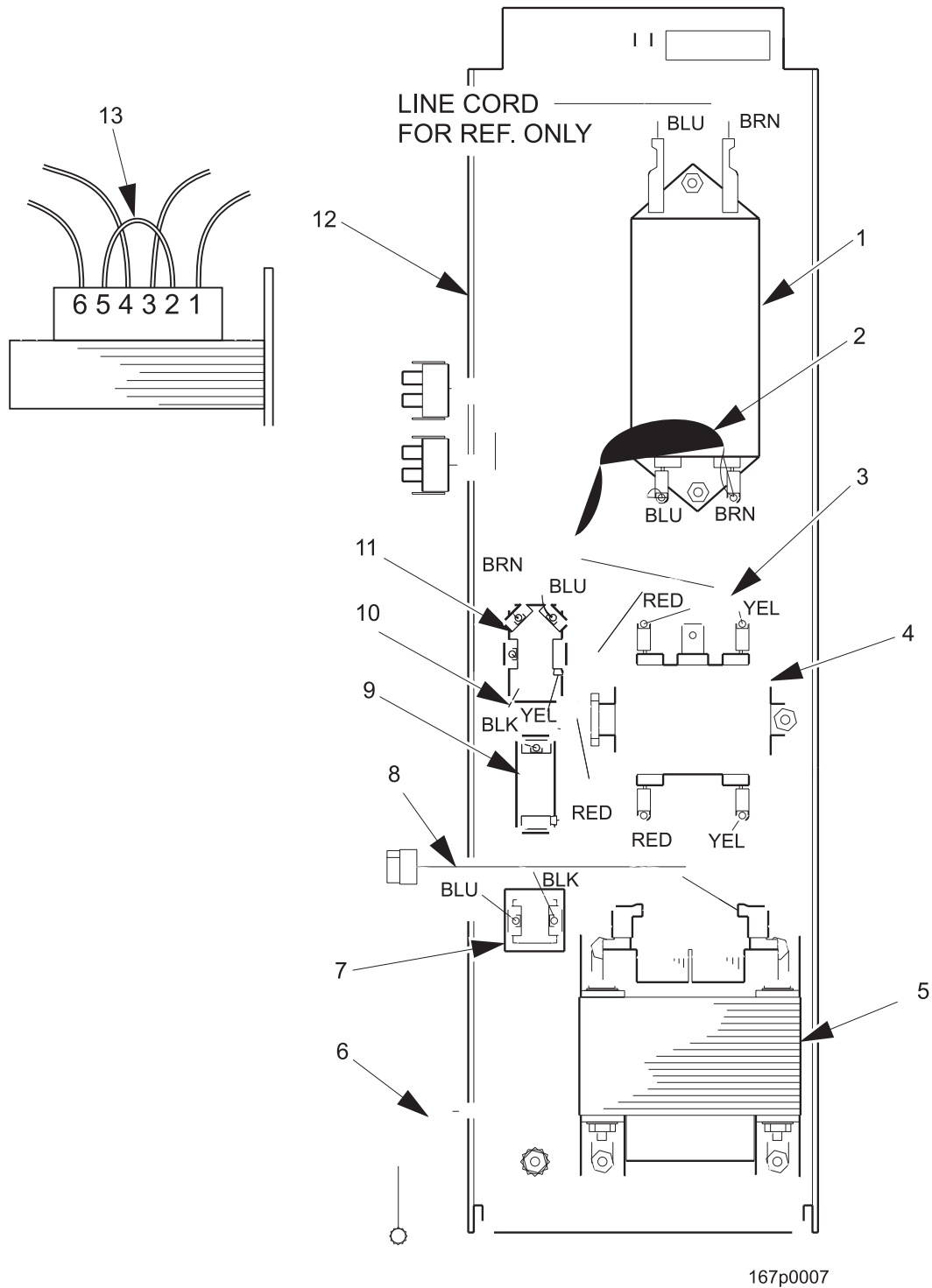
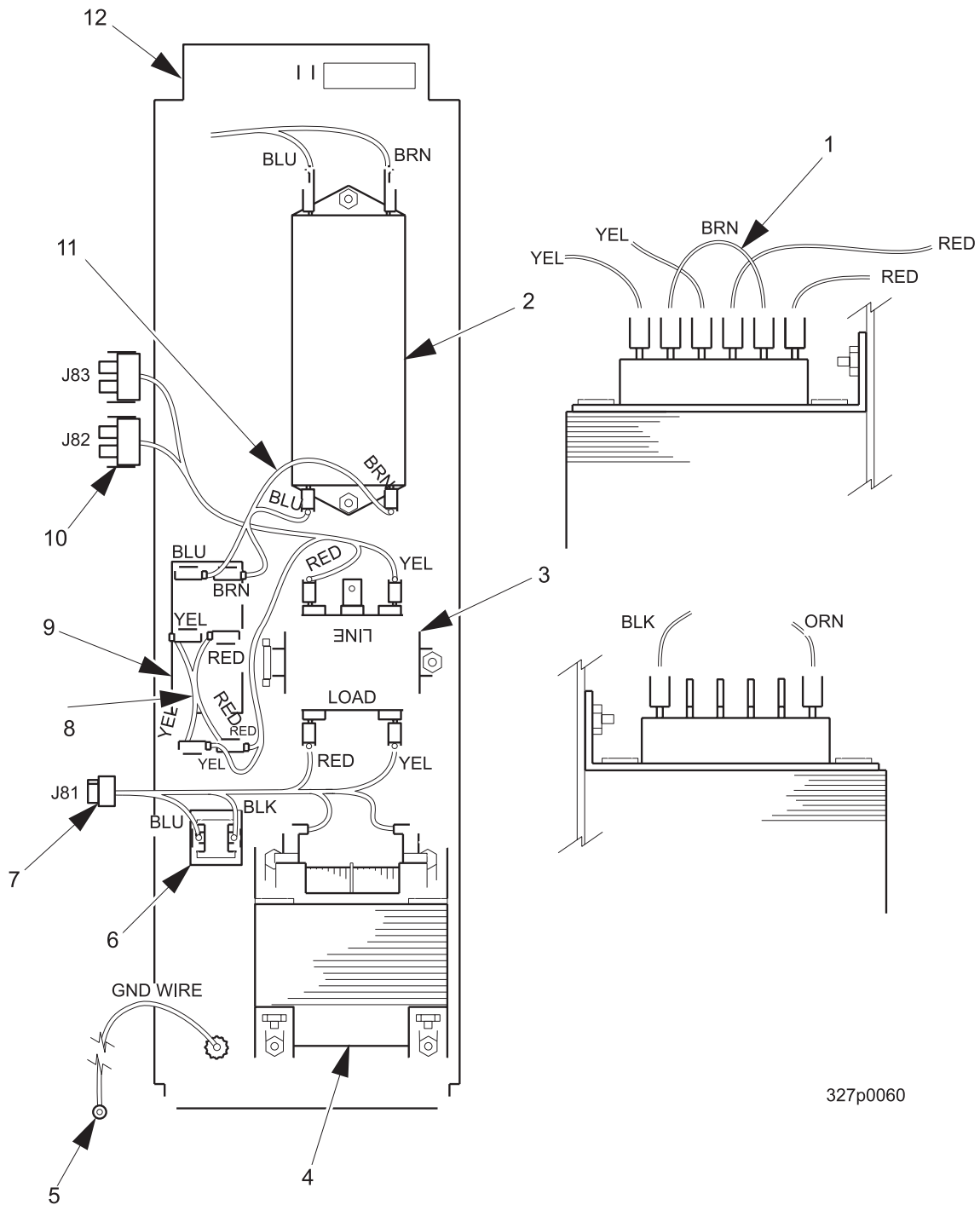


FIGURE 67: POWER PANEL ASSEMBLY - UK

TABLE 67: POWER PANEL ASSEMBLY - UK

INDEX	PART NUMBER	DESCRIPTION	QTY
--	4521020	POWER PANEL ASSEMBLY - U.K. - 230V	--
1	9989110	MAIN LINE FILTER	1
2	6849015	JUMPER	1
3	1679055	HARNESS - POWER PANEL - U.K. - 230V	1
4	9989100	E.M.I. FILTER	1
5	9989046	24V XFMR - DUAL PIR.-.187 TERM.	1
6	9984094	GROUND WIRE	1
7	9989674	BREAKER - 4A	1
8	1709001	HARNESS	1
9	9989672	BREAKER - 15A	1
10	1709006	JUMPER	1
11	9984629	SWTICH	1
12	1701025	PLATE - HOUSING - PANEL	1
13	4279001	JUMPER	1



327p0060

FIGURE 68: POWER PANEL ASSEMBLY - 230 V - FR/GR (FRANCE/GERMANY)

TABLE 68: POWER PANEL ASSEMBLY - 230 V - FR/GR (FRANCE/GERMANY)

INDEX	PART NUMBER	DESCRIPTION	QTY
--	4521041	POWER PANEL ASSEMBLY - 230V FRENCH/GERMAN	REF
1	4279001	JUMPER - 230V - XFMR PRI	1
2	9989110	FILTER - POWER LINE - EMI	1
3	9989100	INTERFERENCE FILTER	1
4	9989046	24V XFMR - DUAL PIR.-.187 TERM	1
5	9984094	WIRE - GROUND - 14"	1
6	9989674	CIRCUIT BREAKER - 4 AMP	1
7	1709001	JUMPER - TRANSFORMER - FOREIGN	1
8	4529002	JUMPER - FRENCH/GERMAN SWITCH	1
9	9984627	CIRCUIT BREAKER/SWITCH - 16 AM	1
10	1679055	HARNESS - POWER PANEL - 230V	1
11	6849015	JUMPER - POWER SW	1
12	4521036	PLATE - HOUSING - PANEL - FRENCH/GERMAN	1

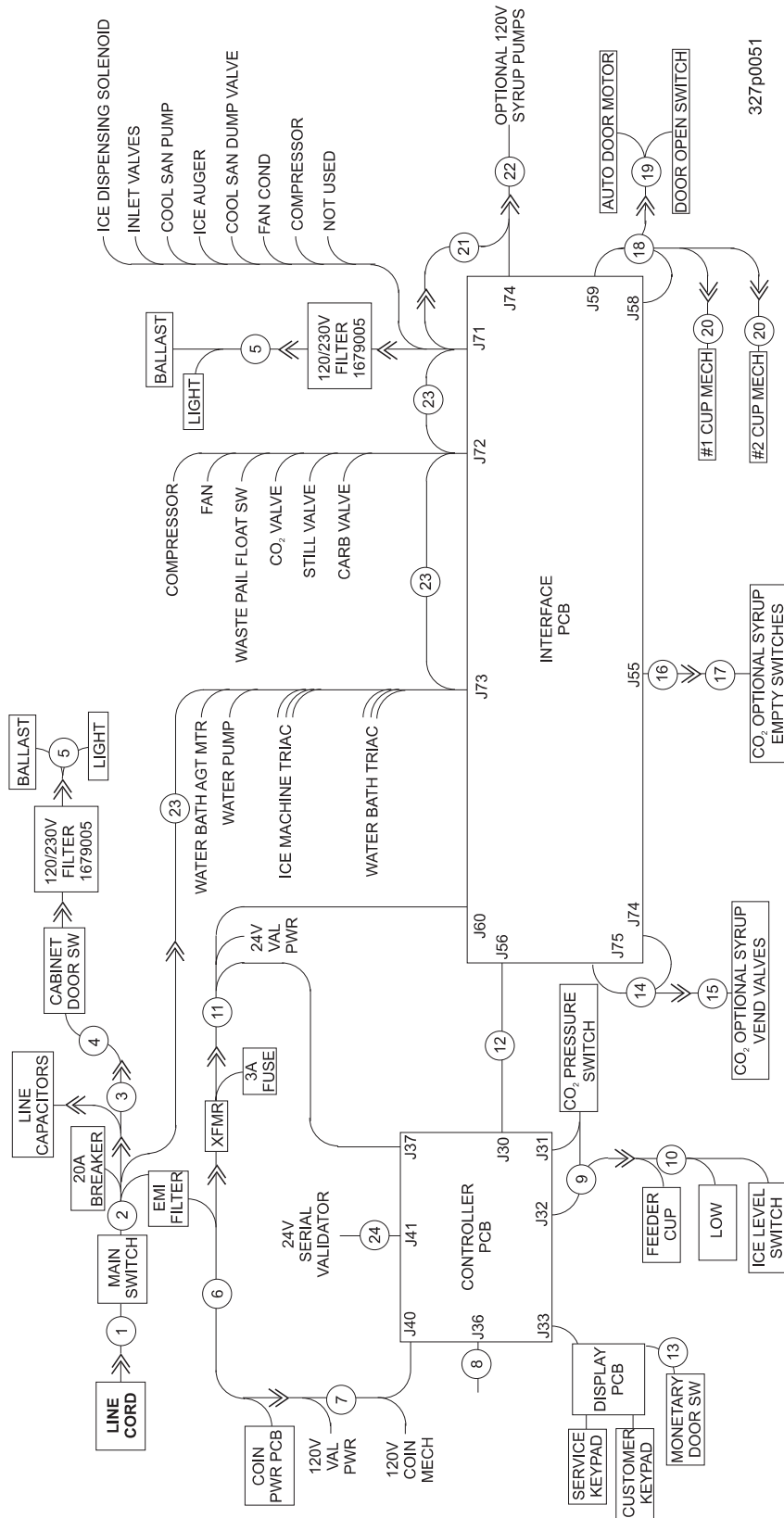
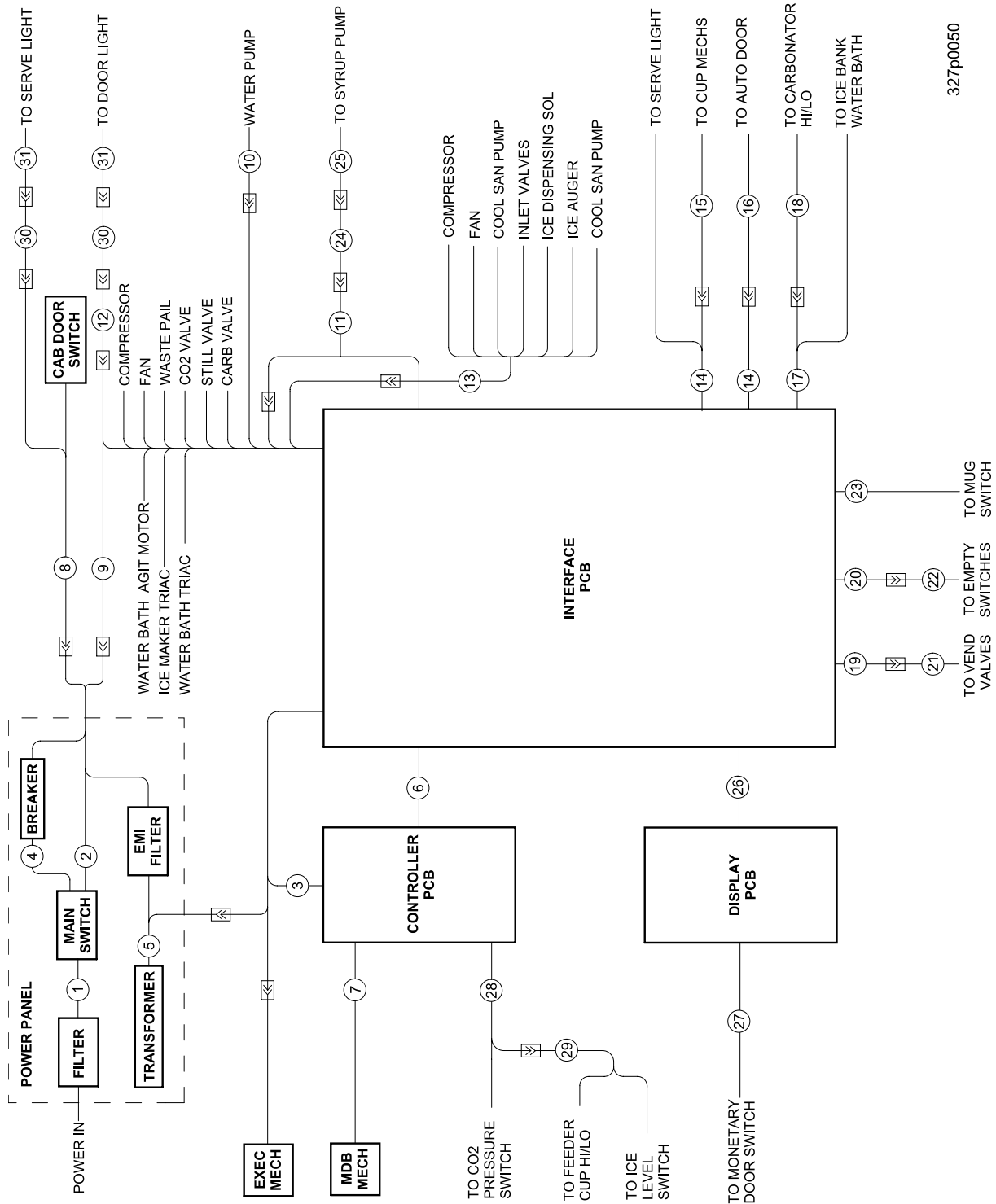


FIGURE 69: CABLING BLOCK DIAGRAM (115 V)

TABLE 69: CABLING BLOCK DIAGRAM (115 V)

INDEX	PART NUMBER	DESCRIPTION
1	3271014	POWER CORD ASSEMBLY - 20A - 115V (USA)
2	1679055	HARNESS - POWER PANEL - DOMESTIC
3	3289021	HARNESS - POWER CAP JUMPER
4	3289010	HARNESS - JUMPER - POWER PANEL TO FLUORESCENT LIGHT
5	3156032	JUMPER - FILTER AND FLUORESCENT LIGHT
6	1679002	HARNESS - 120V COIN ADAPT
7	1579003	HARNESS - COIN MECHANISM
8	1579018	HARNESS - DATA PRINTER INTERFACE
8	1679056	HARNESS - DEX PRINTER INTERFACE
8	1579050	HARNESS - **MDB** FOR CONLUX 2000
9	3289009	HARNESS - I.M.& PR SWITCH TO PCB
10	3289017	HARNESS - ICEMAKER - DC - COLD DR
11	3289015	HARNESS - 24 VAC COLD DRINK
12	1579008	CABLE RIBBON - 16 CONDUCTOR
13	1579009	JUMPER - MONETARY DOOR SWITCH
14	3289006	HARNESS - VALVES INTERFACE (328 ONLY)
15	3289002	HARNESS - VALVES - 8 (328 ONLY)
15	3289004	HARNESS - VALVES - 6 (328 ONLY)
16	3289005	HARNESS - EMPTY SWITCHES INTERFACE (328 ONLY)
17	3289001	HARNESS - EMPTY SWITCHES - 8 (328 ONLY)
17	3289003	HARNESS - EMPTY SWITCH - 6 (328 ONLY)
18	3289007	HARNESS - CUP MECHANISM INTERFACE
19	6239026	HARNESS - AUTO DOOR
20	6269013	HARNESS - CUP MECHANISM
21	3289018	HARNESS - SYRUP PUMPS INTERFACE (327 ONLY)
22	3289019	HARNESS - SYRUP PUMPS (327 ONLY)
23	3289023	HARNESS - AC - 1
24	1579032	HARNESS - SERIAL VALIDATOR - 24V



327p0050

FIGURE 70: CABLING BLOCK DIAGRAM (230 V)

TABLE 70: CABLING BLOCK DIAGRAM (230 V)

INDEX	PART NUMBER	DESCRIPTION
1	6849015	JUMPER - POWER SW
2	1679055	HARNESS - POWER PANEL - 230V
3	3289015	HARNESS - 24 VAC COLD DRINK
4	1709006	JUMPER - MAIN SWITCH TO BREAKER
5	1709001	JUMPER - TRANSFORMER - FOREIGN
	4279001	JUMPER - 230V - TRANSFORMER PRIMARY
6	1579008	CABLE - RIBBON - 16 CONDUCTOR
7	1579018	HARNESS - DATA PRINTER INTERFACE
	1679056	HARNESS - DEX PRINTER INTERFACE
8	3289016	HARNESS - SERVICE LIGHT
9	3289023	HARNESS - AC - 1
10	3289020	HARNESS - CARB. PUMP
11	3289018	HARNESS - SYRUP PUMPS INTERFACE
12	3289010	HARNESS - JUMPER - POWER PANEL TO FLUORESCENT LIGHT
13	3639030	HARNESS - ICEMAKER - AC - TWIN
14	3289007	HARNESS - CUP MECHANISM INTERFACE
15	6269013	HARNESS - CUP MECHANISM
16	6239026	HARNESS - AUTO DOOR
17	3289014	HARNESS - PROBE SENSOR & CARB. IN
18	3289013	HARNESS - CARBONATOR
19	3289006	HARNESS - VALVES INTERFACE (328 ONLY)
20	3289005	HARNESS - EMPTY SWITCHES INTERFACE (328 ONLY)
21	3289002	HARNESS - VALVES - 8 (328 ONLY)
	3289004	HARNESS - VALVES - 6 (328 ONLY)
22	3289001	HARNESS - EMPTY SWITCHES - 8 (328 ONLY)
	3289003	HARNESS - EMPTY SWITCHES - 6 (328 ONLY)
23	3289011	HARNESS - MUG SWITCH
24	3289019	HARNESS - SYRUP PUMPS (327 ONLY)
25	3171043	HARNESS - SYRUP PUMP (327 ONLY)
26	1599200	HARNESS - CONTROL TO DISPLAY
27	1579009	JUMPER - MONETARY DOOR SWITCH
28	3289009	HARNESS - I.M.& PR SWITCH TO PCB
29	3289017	HARNESS - ICEMAKER - DC - COLD DRINK
30	1679005	FLUORESCENT LIGHT FILTER - 120/230V
31	3156032	JUMPER - FILTER AND FLUORESCENT LIGHT
--	1679050	HARNESS - EXECUTIVE COIN - LONG
--	9989577	POWER CORD - EUROPEAN PLUG
--	9989576	POWER CORD - W/BSI PLUG

TABLE 71A: BAG ASSEMBLY 15: B3280001 (U.S.)

PART NUMBER	DESCRIPTION	QTY
WD328002	WIRING DIAGRAM - COLD DRINK CENTER - 115V	1
1300018	BAG PLASTIC	1
3118047	WRENCH SPANNER ALCO #X11981	1
3118088	LABEL C02 PRESSURE SETTING	1
3118099	TAG CARBONATOR AIR REMOVAL	1
3270026	CARD - RECORD OF CLEANING 3" X 5" 2PLY/WHT/BSTL BRD	1
3167023	REMOVAL TOOL - PUMP SNAP	1
3167171	HOSE SPLICER - JUICE - L&M #4001	1
3270002	USAGE INSTRUCTIONS	1
3280032	COLD DRINK CENTER OPERATOR'S GUIDE	1
3282100	INSERT - SELECTIONS - ENGLISH	1
3282101	INSERT - SELECTION A - ENGLISH	1
3282102	INSERT - SELECTION B - ENGLISH	1
3282103	INSERT - SELECTION C - ENGLISH	1
3282104	INSERT - SELECTION D - ENGLISH	1
3282105	INSERT - SELECTION E - ENGLISH	1
3282106	INSERT - SELECTION F - ENGLISH	1
3282107	INSERT - SELECTION G - ENGLISH	1
3282108	INSERT - SELECTION H - ENGLISH	1
3282109	INSERT - SELECTION X - ENGLISH	1
3282110	INSERT - SELECTION Y - ENGLISH	1
3282111	INSERT - SELECTION Z - ENGLISH	1
3282112	INSERT - FILTERED WATER - ENGLISH	1
3282113	INSERT - CUP ONLY - ENGLISH	1
3282114	INSERT - FILLER - BLANK	5
3283123	DEFLECTOR - 5/10 OZ	1
3632076	LABEL - COLD DRINK FLAVORS - #1-	1
3632077	LABEL - COLD DRINK FLAVORS - #2-	1
3632109	LABEL - CUP 12/18 OZ - \$1.10/\$3.00	1
3632142	LABEL - COLD DRINK FLAVOR - NO.3-E	1
6230066	LABEL - "SAVE 5¢ USING MUG" - DOM	1
6230067	LABEL - "ALWAYS GOOD VALUE"	1
6232061	LABEL - MUG OPTION	1
6232062	LABEL - WINNERS MODE	1
6232080	LABEL - PRICE,CUP SIZE, BLANK	1
6232088	LABEL - 1/2 COVERUP - LABEL - INST	1

TABLE 71B: BAG ASSEMBLY 1: B3280007 (U.K.)

PART NUMBER	DESCRIPTION	QTY
WD328003	WIRING DIAGRAM - COLD DRINK CENTER - 230V	1
1300018	BAG PLASTIC	1
1575083	COIN CHUTE & BRACKET ASSEMBLY	1
1575086	INSTRUCTION SHEET - COIN CHUTE & BRK	1
3118047	WRENCH SPANNER ALCO #X11981	1
3118088	LABEL C02 PRESSURE SETTING	1
3118099	TAG CARBONATOR AIR REMOVAL	1
3270026	CARD - RECORD OF CLEANING 3" X 5" 2PLY/WHT/BSTL BRD	1
3167023	REMOVAL TOOL - PUMP SNAP	1
3167171	HOSE SPLICER - JUICE - L&M #4001	1
3270002	USAGE INSTRUCTIONS	1
3280032	COLD DRINK CENTER OPERATOR'S GUIDE	1
3282100	INSERT - SELECTIONS - ENGLISH	1
3282113	INSERT - CUP ONLY - ENGLISH	1
3282114	INSERT - FILLER - BLANK	5
3282156	INSERT - FILTERED WATER - ENG/UK	1
3282159	INSERT - SELECTION A - ENGL/U.K.	1
3282160	INSERT - SELECTION B - ENGL/U.K.	1
3282161	INSERT - SELECTION C - ENGL/U.K.	1
3282162	INSERT - SELECTION D - ENGL/U.K.	1
3282163	INSERT - SELECTION E - ENGL/U.K.	1
3282164	INSERT - SELECTION F - ENGL/U.K.	1
3282165	INSERT - SELECTION G - ENGL/U.K.	1
3282166	INSERT - SELECTION H - ENGL/U.K.	1
3282167	INSERT - SELECTION X - ENGL/U.K.	1
3282168	INSERT - SELECTION Y - ENGL/U.K.	1
3282169	INSERT - SELECTION Z - ENGL/U.K.	1
3283123	DEFLECTOR - 5/10 OZ	1
3632026	INSERT - SELECTION - REG.LARGE - TOP - ENGLISH	1
3632076	LABEL - COLD DRINK FLAVORS - #1-	1
3632077	LABEL - COLD DRINK FLAVORS - #2-	1
3632142	LABEL - COLD DRINK FLAVORS - #3-E	1
6230066	LABEL - "SAVE 5¢ USING MUG" - DOM	1
6230067	LABEL - "ALWAYS GOOD VALUE"	1
6232061	LABEL - MUG OPTION	1
6232062	LABEL - WINNERS MODE	1
6232088	LABEL - 1/2 COVERUP - LABEL - INST	1
6232124	LABEL - PRICE - U.K. - RANGE 36P/4	2
6232125	LABEL - PRICE - U.K. - RANGE 5P/36	2

TABLE 71C: BAG ASSEMBLY 6: B3280008 (FRANCE)

PART NUMBER	DESCRIPTION	QTY
WD328003	WIRING DIAGRAM COLD DRINK CENTER - 230V	1
1300018	BAG PLASTIC	1
3118047	WRENCH SPANNER ALCO #X11981	1
3270026	CARD - RECORD OF CLEANING 3" X 5" 2PLY/WHT/BSTL BRD	1
3167023	REMOVAL TOOL - PUMP SNAP	1
3167171	HOSE SPLICER - JUICE - L&M #4001	1
3270002	USAGE INSTRUCTIONS	1
3280032	COLD DRINK CENTER OPERATOR'S GUIDE	1
3282114	INSERT - FILLER - BLANK	5
3282120	INSERT - SELECTIONS - FRENCH	1
3282121	INSERT - SELECTIONS - "A" - FRENCH	1
3282122	INSERT - SELECTIONS - "B" - FRENCH	1
3282123	INSERT - SELECTIONS - "C" - FRENCH	1
3282124	INSERT - SELECTIONS - "D" - FRENCH	1
3282125	INSERT - SELECTIONS - "E" - FRENCH	1
3282126	INSERT - SELECTIONS - "F" - FRENCH	1
3282127	INSERT - SELECTIONS - "G" - FRENCH	1
3282128	INSERT - SELECTIONS - "H" - FRENCH	1
3282129	INSERT - SELECTIONS - "X" - FRENCH	1
3282130	INSERT - SELECTIONS - "Y" - FRENCH	1
3282131	INSERT - SELECTIONS - "Z" - FRENCH	1
3282132	INSERT - FILTERED WATER - FRENCH	1
3282133	INSERT - "CUP ONLY"-"CUP OF ICE	1
3283123	DEFLECTOR - 5/10 OZ	1
3632055	INSERT - SELECT - TOP - REG/LG-FR.	1
3632101	LABEL - COLD DRINK FLV. - FRENCH	1
6232088	LABEL - 1/2 COVERUP - LABEL - INST	1
6232130	LABEL - MUG OPTION - FRENCH	1
6232131	LABEL - WINNERS MODE - FRENCH	1
6232259	LABELS - VOL. 4CL TO 16CL - FRENCH	1
6532008	LABELS - EUROCOIN - ,05/1,00	1
6532009	LABELS - EUROCOIN - 1,05/2,00	1
6532012	LABEL - EUROCOIN - 2,05/3,00	1

TABLE 71D: BAG ASSEMBLY 7: B3280005 (GERMANY)

PART NUMBER	DESCRIPTION	QTY
WD328003	WIRING DIAGRAM - COLD DRINK CENTER - 230V	1
1300018	BAG PLASTIC	1
3118047	WRENCH SPANNER ALCO #X11981	1
3270026	CARD - RECORD OF CLEANING 3" X 5" 2PLY/WHT/BSTL BRD	1
3162107	TAG - REGULATOR - AIR REMOVAL-GE	1
3162108	LABEL - CO2 PRESSURE SETTING-G	1
3167023	REMOVAL TOOL - PUMP SNAP	1
3167171	HOSE SPLICER - JUICE - L&M #4001	1
3270002	USAGE INSTRUCTIONS	1
3280032	COLD DRINK CENTER OPERATOR'S GUIDE	1
3282114	INSERT - FILLER - BLANK	5
3282140	INSERT - SELECTIONS - GERMAN	1
3282141	INSERT - SELECTIONS - "A" - GERMAN	1
3282142	INSERT - SELECTIONS - "B" - GERMAN	1
3282143	INSERT - SELECTIONS - "C" - GERMAN	1
3282144	INSERT - SELECTIONS - "D" - GERMAN	1
3282145	INSERT - SELECTIONS - "E" - GERMAN	1
3282146	INSERT - SELECTIONS - "F" - GERMAN	1
3282147	INSERT - SELECTIONS - "G" - GERMAN	1
3282148	INSERT - SELECTIONS - "H" - GERMAN	1
3282149	INSERT - SELECTIONS - "X" - GERMAN	1
3282150	INSERT - SELECTIONS - "Y" - GERMAN	1
3282151	INSERT - SELECTIONS - "Z" - GERMAN	1
3282152	INSERT - FILTERED WATER - GERMAN	1
3282153	INSERT - "CUP ONLY" - "CUP OF IC	1
3283123	DEFLECTOR - 5/10 OZ	1
3632094	INSERT - SELECTIONS - TOP - GERMAN	1
3632098	LABEL A - COLD DRINK FLV. - GERMAN	1
3632099	LABEL B - COLD DRINK FLV. - GERMAN	1
3632142	LABEL - COLD DRINK FLV. - NO.3-E	1
6230067	LABEL - "ALWAYS GOOD VALUE	"1
6232088	LABEL - 1/2 COVERUP - LABEL - INST	1
6232128	LABEL - WINNERS MODE - GERMAN	1
6232173	LABEL - MUG OPTION - GERMAN	1
6232198	LABEL - SAVE 5PF USING MUG - GER	1
6232218	LABEL - SAVE 10PF USING MUG - GE	1
6233115	FUNNEL & INSERT ASSEMBLY	2
6532008	LABELS - EUROCOIN - ,05/1,00	1
6532009	LABELS - EUROCOIN - 1,05/2,00	1
6532012	LABEL - EUROCOIN - 2,05/3,00	1

TABLE 72: SUPPLEMENTAL KITS FOR THE COLD DRINK CENTER

PART NUMBER	DESCRIPTION
THE FOLLOWING SUPPLEMENTAL AFTERMARKET KITS ARE AVAILABLE THROUGH THE NATIONAL VENDORS PARTS DEPARTMENT 1-800-621-7278	
3128172	KIT - WATER FEEDER ASSEMBLY REPLACEMENT
3128176	KIT - AGITATOR MOTOR REPLACEMENT
3157052	KIT - REPLACE A SYRUP PUMP DIAPHRAGM ASSEMBLY
3154082	KIT - AGITATOR REPLACEMENT
3272023	KIT - 327/328 BACKLIGHT - 110V
3272024	KIT - 327/328 BACKLIGHT - 230V
3280028	KIT - SUREVEND - 09/12 OZ CUP
3280029	KIT - SUREVEND - 12/20 OZ CUP

Cold Drink Center Parts Manual

Part Number Index

Part Number	Page	Part Number	Page	Part Number	Page
1127808	127	1571112	139	1599200	149
1141054	63	1571113	127	1671022	139
1170206	49	1571115	39	1672080	133
1172021	39	1571164	37	1672082	133
1172190	25	1572010	133	1679002	147
1172191	25	1572011	13, 133	1679005	29, 31, 149
1211105	41	1572013	125	1679006	29
1211110	141	1572196	23	1679050	149
1211112	39	1572199	27	1679053	137
1211141	43	1572203	27	1679055	143, 145, 147, 149
1212139	81	1572204	27	1679056	147, 149
1217159	103, 117, 119	1572209	7	1701025	141, 143
1217160	103	1572210	7	1709001	141, 143, 145, 149
1300018	150, 151, 152, 153	1572212	7	1709006	141, 143, 149
1302284	21	1572213	7	2204093	127
1302289	25	1572214	3	2222095	29, 31
1302290	25	1572223	7	2222096	31, 33
1302291	25	1572224	7	2222535	29
1302324	25	1572254	3, 7	2228011	127
1302326	25	1572258	3	2272036	31
1302409	9	1572259	3	2272052	25
1401110	125, 127	1572267	3	2301057	63, 65
1411176	37	1572269	53	2302053	7, 125, 133
1411194	37	1572292	7	2342315	51
1411195	37	1572323	7	2346016	31
1451097	63, 81	1572395	27	2366135	43
1452203	9	1572396	27	3014047	113
1457027	63	1572397	27	3014049	113
1471098	39	1572398	27	3014055	113
1471237	39	1575001	129	3014056	113
1472014	21	1575003	127	3014057	113
1472112	21	1575010	129	3014061	113
1472178	21, 23	1575029	127	3014062	113
1472179	21	1575044	125	3014069	115
1472222	7, 125	1575048	135	3014073	109
1472223	125	1575055	135	3014081	113
1472250	21, 23	1575057	127	3014101	113
1472251	129	1575058	129	3014117	113
1472454	7	1575083	151	3014149	115
1475026	127	1575086	151	3014150	115
1475072	127	1575091	129	3014152	115
1475089	129	1575094	125, 127	3014157	115
1475099	127	1575098	129	3014253	115
1475103	125	1575099	129	3014254	115
1475104	125	1575106	13	3014266	115
1475107	137	1577038	51, 63	3014267	115
1477020	51	1579003	147	3014268	115
1477113	51	1579008	147, 149	3014269	115
1571021	43	1579009	147, 149	3103133	47
1571035	141	1579010	43	3104058	123
1571078	127	1579018	147, 149	3104125	97
1571079	127	1579031	137	3104172	113
1571081	127	1579032	137, 147	3106004	95
1571098	41	1579050	147	3107171	29

Part Number Index

Cold Drink Center Parts Manual

Part Number	Page	Part Number	Page	Part Number	Page
3108000	87, 93	3118006	117, 119	3148050	81, 87
3108001	87	3118007	117, 119	3148051	81, 87
3108011	87	3118008	117, 119	3148178	97
3108013	93	3118011	117, 119	3151023	77
3108022	87	3118012	95	3151058	29, 31
3108023	87	3118047	150, 151, 152, 153	3151137	103
3108024	87	3118088	150, 151	3152045	13, 53
3108025	87	3118099	150, 151	3152560	9
3108026	87	3121125	79	3154010	115
3108027	87	3121150	103	3154014	115
3108028	87	3122056	127	3154015	115
3108029	87	3124015	95	3154021	109
3108030	87	3124097	107	3154023	109
3108031	87	3127006	81	3154024	109
3108032	87	3127007	81	3154026	109
3108033	87	3127008	81	3154040	109
3108034	87	3127009	81	3154041	109
3108035	87	3127010	81	3154042	109
3108036	87	3127011	81	3154063	109
3108037	87	3127013	81	3154064	111
3108038	87	3127015	81	3154077	109
3108040	81, 87	3127031	81	3154079	109
3108041	81, 87	3127036	81	3154082	154
3108052	84, 85	3127100	77	3154090	109
3108054	84, 97	3127101	77	3156032	29, 33, 147, 149
3108056	99, 101	3127102	77	3156034	93
3108073	97	3127107	77	3157010	83
3108103	97	3127109	77	3157011	81
3108115	91	3128025	93, 97	3157022	81
3108141	51	3128033	95	3157030	79, 81
3108163	87	3128035	93	3157035	83
3108184	35	3128036	93	3157037	81, 83
3108261	97	3128038	93	3157039	81
3108271	93, 97	3128039	93, 97	3157041	81
3108301	101	3128041	85	3157042	81
3108342	87	3128054	97	3157043	81
3108344	87	3128059	95	3157044	81
3112163	25, 27	3128097	95	3157045	83
3112164	25, 27	3128127	49	3157047	81
3113003	117, 119	3128128	117, 119	3157049	81
3114078	113	3128140	97	3157050	81
3114079	113	3128144	95	3157051	81
3114081	113	3128169	117, 119	3157052	154
3114097	113	3128172	154	3157060	43, 81, 83
3114098	111	3128176	154	3157068	81
3114099	113	3128201	95	3158003	93
3114132	113	3128303	123	3158023	101
3116123	103	3128317	123	3158028	117
3116126	103	3128318	107	3158035	84
3116127	103	3142138	67	3158045	95
3116130	103, 105	3143005	63, 67	3158061	99, 101
3118002	117	3143009	67	3158072	123
3118003	117, 119	3144016	107	3158101	93, 97
3118005	117, 119	3147002	81	3162107	153

Cold Drink Center Parts Manual

Part Number Index

Part Number	Page	Part Number	Page	Part Number	Page
3162108	153	3174075	111	3281061	33
3164053	95	3174076	109	3281064	89
3164073	95	3174077	107	3281065	69
3164078	121	3174079	115	3281074	49
3164079	121	3174080	115	3281076	49
3167001	73	3174081	115	3281077	33
3167006	73	3174082	107	3281078	89
3167007	73	3178005	107, 117	3281080	105
3167014	73	3178010	99, 101	3281085	49
3167023	150, 151, 152, 153	3188001	107	3281086	139, 141
3167029	73	3270002	150, 151, 152, 153	3282000	13
3167066	73	3270026	150, 151, 152, 153	3282005	55, 61
3167101	73	3271014	35, 147	3282006	55, 61
3167103	73	3272000	13	3282007	53
3167107	73	3272001	17	3282008	51, 53
3167108	73	3272002	29	3282009	53
3167109	73	3272005	29	3282011	15
3167111	73	3272008	29	3282015	15, 17
3167122	75	3272009	29	3282016	29
3167123	75	3272010	29	3282019	3, 13
3167124	71	3272015	29	3282020	13
3167128	73	3272016	29	3282025	51
3167129	71	3272017	29	3282026	51
3167151	75	3272019	29	3282027	51
3167171	150, 151, 152, 153	3272023	154	3282028	51
3171043	81, 149	3272024	154	3282030	13
3174024	109	3274001	115	3282100	150, 151
3174025	109	3277000	79	3282101	150
3174026	109	3277001	79	3282102	150
3174049	109	3279001	29	3282103	150
3174050	109	3280028	154	3282104	150
3174051	109	3280029	154	3282105	150
3174052	109	3280032	150, 151, 152, 153	3282106	150
3174053	115	3280843	51	3282107	150
3174054	115	3281021	35	3282108	150
3174055	115	3281022	35	3282109	150
3174056	115	3281025	91	3282110	150
3174057	115	3281026	91	3282111	150
3174059	115	3281027	91	3282112	150
3174060	115	3281028	91	3282113	150, 151
3174061	115	3281029	91	3282114	150, 151, 152, 153
3174062	115	3281030	105	3282120	152
3174063	113	3281031	105	3282121	152
3174064	113	3281036	89	3282122	152
3174065	113	3281044	73, 79	3282123	152
3174066	113	3281045	99, 101	3282124	152
3174067	111	3281048	45	3282125	152
3174068	111	3281049	45	3282126	152
3174069	111	3281050	105	3282127	152
3174070	111	3281051	31	3282128	152
3174071	111	3281056	31, 33	3282129	152
3174072	111	3281057	105	3282130	152
3174073	111	3281059	89	3282131	152
3174074	111	3281060	105	3282132	152

Part Number Index

Cold Drink Center Parts Manual

Part Number	Page	Part Number	Page	Part Number	Page
3282133	152	3283064	47	3288042	49, 105
3282140	153	3283065	47	3288043	49
3282141	153	3283067	47	3288044	49
3282142	153	3283069	59	3288046	97
3282143	153	3283071	55	3288047	97
3282144	153	3283072	55, 57	3288048	97
3282145	153	3283073	57	3289001	147, 149
3282146	153	3283074	57	3289002	147, 149
3282147	153	3283075	57	3289003	147, 149
3282148	153	3283076	19, 57	3289004	147, 149
3282149	153	3283077	47	3289005	147, 149
3282150	153	3283079	47	3289006	147, 149
3282151	153	3283080	55	3289007	147, 149
3282152	153	3283081	55	3289009	147, 149
3282153	153	3283123	150, 151, 152, 153	3289010	147, 149
3282156	151	3284000	105	3289011	149
3282159	151	3284023	121	3289012	95
3282160	151	3284024	121	3289013	149
3282161	151	3284025	105	3289014	149
3282162	151	3284031	105	3289015	147, 149
3282163	151	3284036	105	3289016	149
3282164	151	3284040	95	3289017	147, 149
3282165	151	3284041	95	3289018	147, 149
3282166	151	3286006	139	3289019	147, 149
3282167	151	3286010	139	3289020	149
3282168	151	3287001	73, 79	3289021	147
3282169	151	3287002	73	3289023	147, 149
3283000	61	3287003	73, 79, 99	3507000	77
3283002	59	3287005	71, 91	3507002	77
3283004	61	3287006	71	3607111	77
3283006	59, 61	3287008	73	3607112	77
3283008	57	3287114	73	3617008	49
3283009	57	3287115	71, 91	3618018	119
3283013	59	3287116	71	3618020	119
3283014	59	3287120	77	3618036	119
3283015	59	3287121	84	3618041	119
3283018	61, 63	3287122	84	3618100	119
3283021	63	3287123	69	3618110	97
3283022	57, 59	3288000	91	3618141	119
3283023	63, 67	3288001	91	3618152	119
3283031	19, 59	3288002	95	3631067	35
3283032	59	3288009	85	3631068	35
3283034	47	3288012	93	3631101	37
3283035	47	3288013	91	3631102	37
3283050	47	3288016	49	3631106	37
3283051	47	3288025	91	3631107	37
3283053	47	3288026	91	3631147	35
3283054	47	3288029	91	3632007	9, 15, 53
3283055	47	3288030	95	3632009	9
3283058	63	3288032	93	3632010	9
3283059	47	3288033	93, 97	3632011	9
3283061	47	3288039	95	3632012	10
3283062	47	3288040	95	3632013	11
3283063	47	3288041	93	3632015	10

Cold Drink Center Parts Manual

Part Number Index

Part Number	Page	Part Number	Page	Part Number	Page
3632016	11	3634174	107, 123	4741065	35
3632017	51	3634178	107	4747042	31, 33
3632022	15	3634186	121	4747171	53
3632026	151	3634193	107	4774027	121
3632033	5	3634201	109	4774122	121
3632049	17	3634202	109	5220108	51
3632055	152	3634213	107, 121	5900096	136
3632076	150, 151	3634214	107, 121	5900116	136
3632077	150, 151	3635004	129	5900193	137
3632094	153	3635015	129	5900198	137
3632098	153	3635016	129	5900205	137
3632099	153	3638022	123	5900209	136
3632101	152	3638078	123	5900210	137
3632109	150	3638079	73	5900213	136
3632114	7	3638096	84, 85	5900214	136
3632131	53	3638108	45	5900216	136
3632132	9	3638109	45	5900221	137
3632133	5	3638110	45	5900243	136
3632134	53	3638130	107, 123	5900244	136
3632135	5	3639030	149	5900246	137
3632137	3, 7	4031148	29	5900247	137
3632139	15, 51, 53	4031150	29	5900248	137
3632142	150, 151, 153	4041073	35	5900267	137
3632201	15	4041241	63, 65	5900269	136
3632202	5	4047054	103	5900270	136
3632203	5, 53	4242145	41	5900276	136
3632204	5	4245082	133	5900279	136
3632227	10	4245083	133	5900283	137
3632228	10	4245084	133	5900284	137
3632229	10	4277042	53	5900285	137
3632231	10	4279001	143, 145, 149	5900287	137
3632233	10	4304057	95, 121	5900289	136
3632235	10	4304058	121	5900290	137
3632236	10	4304092	121	5900303	137
3632237	10	4304194	121	6104159	123
3632242	11	4304216	95	6104194	117, 119
3632243	11	4307029	81	6104218	27
3632244	11	4311042	35	6104220	113
3632247	11	4311068	39	6104429	117, 119
3632248	11	4314014	95	6108007	93, 97
3632251	11	4314054	95	6112042	83, 117, 119
3632252	11	4521020	139, 143	6114121	67
3632253	11	4521036	145	6138080	117, 119
3632256	11	4521041	139, 145	6201025	91
3632263	9	4529002	145	6208037	85
3632265	10	4551145	37	6230066	150, 151
3632269	11	4552058	3	6230067	150, 151, 153
3633008	59	4552059	3	6230804	51
3634041	123	4552060	3	6231034	39
3634053	121	4614135	95	6231037	127
3634054	121	4614136	95	6231087	37
3634055	121	4644019	95, 121	6231163	39
3634056	123	4644021	95, 121	6231203	39
3634156	121	4733035	63	6231232	31

Part Number Index

Cold Drink Center Parts Manual

Part Number	Page	Part Number	Page	Part Number	Page
6231430	85	6233013	63	6333011	67
6231431	47	6233014	63	6333012	67
6231432	47	6233018	63, 65	6333018	57
6231443	47	6233019	63, 65	6333020	67
6231488	47	6233021	63, 65	6335002	125
6231489	47	6233028	63, 65	6338021	85
6231492	47	6233030	57	6338027	99
6231495	47	6233032	63	6339011	33
6232012	53	6233037	63, 65	6398158	91
6232019	11	6233048	57, 59	6400002	136
6232028	41	6233056	63	6400003	136
6232031	41	6233057	63, 65	6404034	63
6232036	41	6233058	63	6408003	99, 101
6232039	11	6233062	63	6408028	99
6232042	15	6233077	63	6408117	123
6232043	15	6233105	63	6408134	101
6232044	17	6233106	63	6508103	123
6232061	150, 151	6233107	63	6532008	152, 153
6232062	150, 151	6233115	153	6532009	152, 153
6232065	19, 51	6233126	67	6532012	152, 153
6232071	15	6233127	67	6532016	29
6232072	11	6234106	51	6532017	29
6232078	53	6234628	67	6732059	51
6232080	150	6239026	147, 149	6732060	53
6232084	51	6263001	55, 63	6732063	51
6232085	51	6263002	55	6739021	141
6232088	150, 151, 152, 153	6263003	63	6808024	97
6232089	51	6269013	63, 147, 149	6849015	143, 145, 149
6232091	51	6331052	137	7215019	129
6232096	51	6332007	29	9900034	63
6232124	151	6332009	29	9900067	127
6232125	151	6332044	11	9900081	49, 53, 135, 141
6232128	153	6332045	10	9900098	37
6232130	152	6332048	29	9900106	127
6232131	152	6332052	67	9900121	25, 63
6232156	29	6332100	10	9900152	81
6232173	153	6332103	10	9900160	133
6232180	11	6332105	10	9900170	25
6232192	11	6332111	10	9900218	39
6232198	153	6332113	10	9900219	29
6232201	11	6332115	10	9900418	111
6232208	41	6332119	10	9900425	51
6232218	153	6332122	10	9900431	81
6232219	17	6332124	10	9902511	37
6232225	11	6332126	10	9902512	37
6232241	11	6332137	10	9983778	139
6232259	152	6332138	11	9984094	33, 43, 141, 143, 145
6232305	31, 33	6333004	67	9984627	145
6232311	11	6333005	67	9984629	141, 143
6232323	11	6333006	67	9984636	103
6232348	29	6333007	67	9988902	95, 121
6232349	29	6333008	63	9989046	141, 143, 145
6233010	63	6333009	67	9989100	141, 143, 145
6233012	63	6333010	67	9989110	143, 145

Cold Drink Center Parts Manual

Part Number Index

<u>Part Number</u>	<u>Page</u>
9989576	35, 149
9989577	35, 149
9989631	137
9989639	125
9989659	141
9989672	143
9989673	141
9989674	141, 143, 145
9989687	139

<u>Part Number</u>	<u>Page</u>
9989718	137
9989755	139
9989823	127
9992400	25, 27

<u>Part Number</u>	<u>Page</u>
B	
B3280001	150
B3280005	153
B3280007	151
B3280008	152
W	
WD328002	150
WD328003	151, 152, 153

Part NumberPage

Part NumberPage

Part NumberPage

Terms and Conditions of Sale

LIMITED WARRANTY: Subject to the limitation specified herein, all parts included on original equipment manufactured by CRANE MERCHANDISING SYSTEMS and sold to purchaser are warranted for two (2) years from the date of shipment of the equipment in question. This warranty applies only to the original purchaser of the Merchandiser and is null and void if the Merchandiser is sold during the period of warranty.

Defective parts will be repaired or replaced free of charge when the defective part is returned, with transportation charges prepaid by purchaser, to a destination designated by CRANE MERCHANDISING SYSTEMS.

This warranty does not include any cost of service rendered or repairs made by customer or its agents on Merchandiser, or parts, unless authorization to incur such expense has been given in writing by CRANE MERCHANDISING SYSTEMS prior to incurring such expense. This warranty does not cover labor and service charges performed by CRANE MERCHANDISING SYSTEMS service technicians.

This warranty does not apply to A) electrical components, wiring, or circuits or mechanical parts or assemblies damaged as a result of operating the Merchandiser at other than the design voltage and frequency specified on the Electrical Rating Tag, or B) in event of vandalism, fire or negligence, or C) incandescent lamps, neon lamps, fluorescent lamps, ballasts, starters or other expendable items, or D) when seal is broken on electronic boards, or E) when other manufactured components are installed in CRANE MERCHANDISING SYSTEMS Merchandisers.

Replacement parts sold by CRANE MERCHANDISING SYSTEMS as After Market shall be covered for three months from the date shown on the parts invoice. Purchaser must obtain prior RETURN AUTHORIZATION for return of all parts, following guidelines given by CRANE MERCHANDISING SYSTEMS.

New, unused parts purchased as After Market can be returned within 30 days from date of parts invoice, with prior authorization from CRANE MERCHANDISING SYSTEMS.

THIS WARRANTY IS IN LIEU OF ALL OTHER WARRANTIES EXPRESS OR IMPLIED, INCLUDING WITHOUT LIMITATION, WARRANTIES OF MERCHANTABILITY OF FITNESS FOR A PARTICULAR PURPOSE. CRANE MERCHANDISING SYSTEMS SHALL NOT BE RESPONSIBLE FOR CONSEQUENTIAL OR PUNITIVE DAMAGES. CRANE MERCHANDISING SYSTEMS neither assumes nor authorizes any person to assume for it any obligation or liability in connection with the sale of said equipment or any part thereof.

