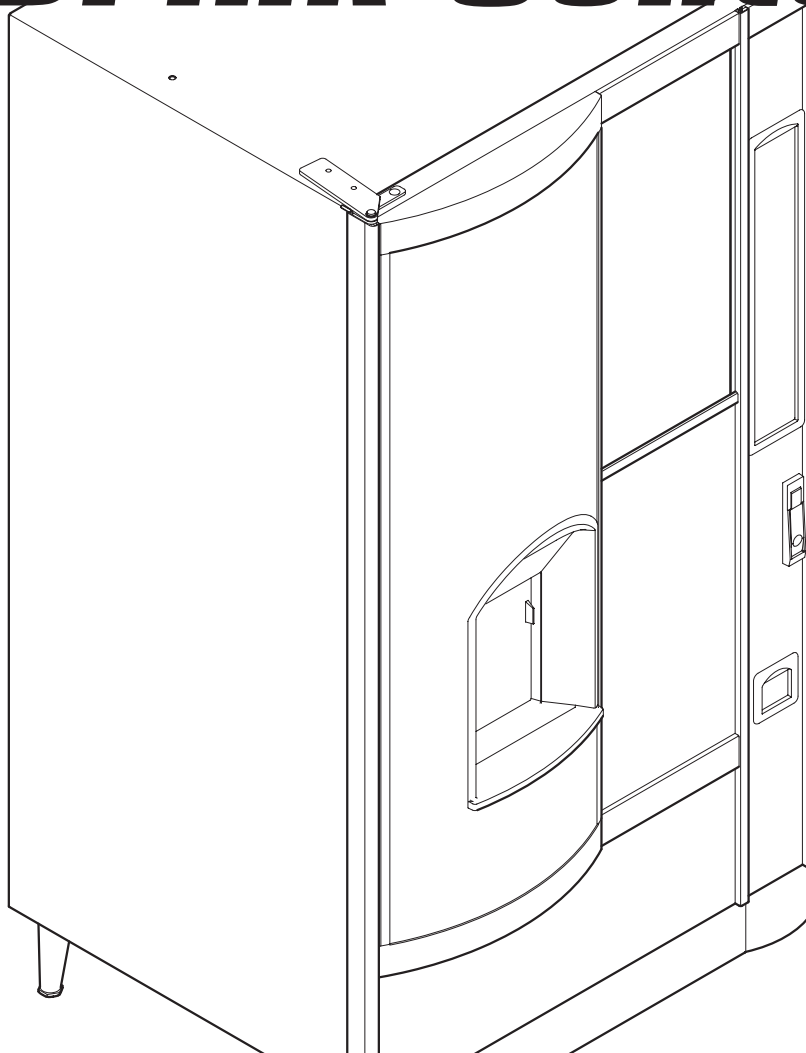


6730012

Model 673, 675, 677



Hot Drink Center II



PARTS MANUAL

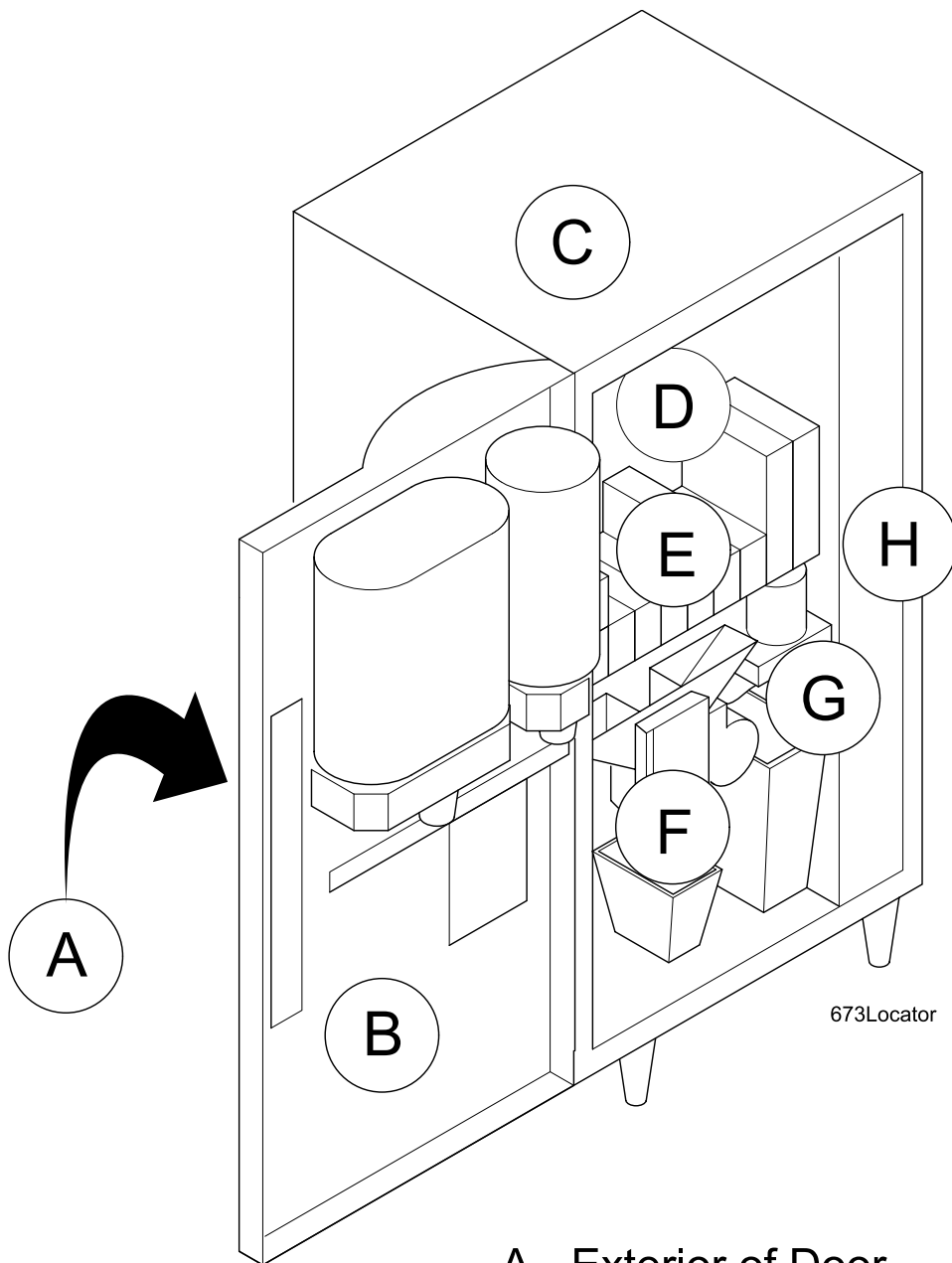


The Right Part, Right Now

CRANE MERCHANDISING SYSTEMS™ A Crane Co. Company
CMS PARTS & SUPPORT

12955 Enterprise Way
Bridgeton, Missouri 63044-1200
(314) 298-3500
www.CraneMS.com

6730012



- A - Exterior of Door
- B - Interior of Door
- C - Cabinet
- D - Water Tank, Water Filters
- E - Product Canisters
- F - Cup Station
- G - Brewer
- H - Monetary

Crane Merchandising Systems Parts and Support
Parts: 1-800-621-7278 Service: 1-800-628-8363

List of Figures

FIGURE:	TITLE:	PAGE:
Section A: Exterior of Door		1
FIGURE 1:	Door and Trim Panels	2
FIGURE 2:	Pop and Trim Display	4
FIGURE 3:	Top and Bottom End Cabinet Assembly with Pop Displays	6
FIGURE 4:	Frame - Cup Display Door	8
FIGURE 5:	Exterior Door - Pop Lights Display.....	10
FIGURE 6:	Pop Display Backlight Assembly - Top	12
FIGURE 7:	Pop Display Backlight Assembly - Side	14
FIGURE 8:	Pop Display Backlight Assembly - Bottom	16
Section B: Interior of Door		18
FIGURE 9:	Interior Door Miscellaneous (Part 1 of 2)	18
FIGURE 10:	Interior Door Miscellaneous (Part 2 of 2)	20
FIGURE 11:	Menu Backlight Assembly - Upper	22
FIGURE 12:	Lockbar Assembly	24
FIGURE 13:	Door Lock Parts	26
FIGURE 14:	Coin Return Cup Parts	28
FIGURE 15:	Cup Canisters and Cup Mechanism Assembly	30
FIGURE 16:	Cup Canisters and Cup Mechanisms	32
FIGURE 17:	Turret and Canister Assembly - 4 Column	34
FIGURE 18:	Turret and Canister Assembly - 7 Column	36
FIGURE 19:	Cup Mechanism Assembly - 4 Column 12/20	38
FIGURE 20:	Cup Mechanism Assembly - 7 Column 12/25	40
FIGURE 21:	Mechanism Assembly - 11 Column	42
FIGURE 22:	Cup Ring Assembly	44
FIGURE 23:	Actuator Assembly - Cup Ring	45
FIGURE 24:	Mounting Bracket Assembly - Right	46
FIGURE 25:	Manual Door	48
FIGURE 26:	Auto Door	50
Section C: Cabinet, Misc. Parts		52
FIGURE 27:	Cabinet Miscellaneous Parts	52
FIGURE 28:	Door Hinge Assembly - Upper and Lower	54
FIGURE 29:	Leg Assembly	56
FIGURE 30:	Base Plate and Assembly - (Millennia)	58
FIGURE 31:	Cabinet Service - Light Bracket Assembly	60
FIGURE 32:	Overflow Switch Assembly	62
Section D: Water Tank, Water Filters		64
FIGURE 33:	Hot Water Valve Assembly - 115V	64
FIGURE 34:	Water Tank Assembly	66
FIGURE 35:	Water Tank - Lid Assembly	68
FIGURE 36:	Filter and Head Assembly - Hydro Life 115V	70
FIGURE 37:	Filter Head Assembly - Everpure 115V	72
FIGURE 38:	Filter Head Assembly - Cuno 115V	74
FIGURE 39:	Bracket and Valve Assembly	76
FIGURE 40:	Heater Assembly - 115V / 50W (Optional)	78

List of Figures

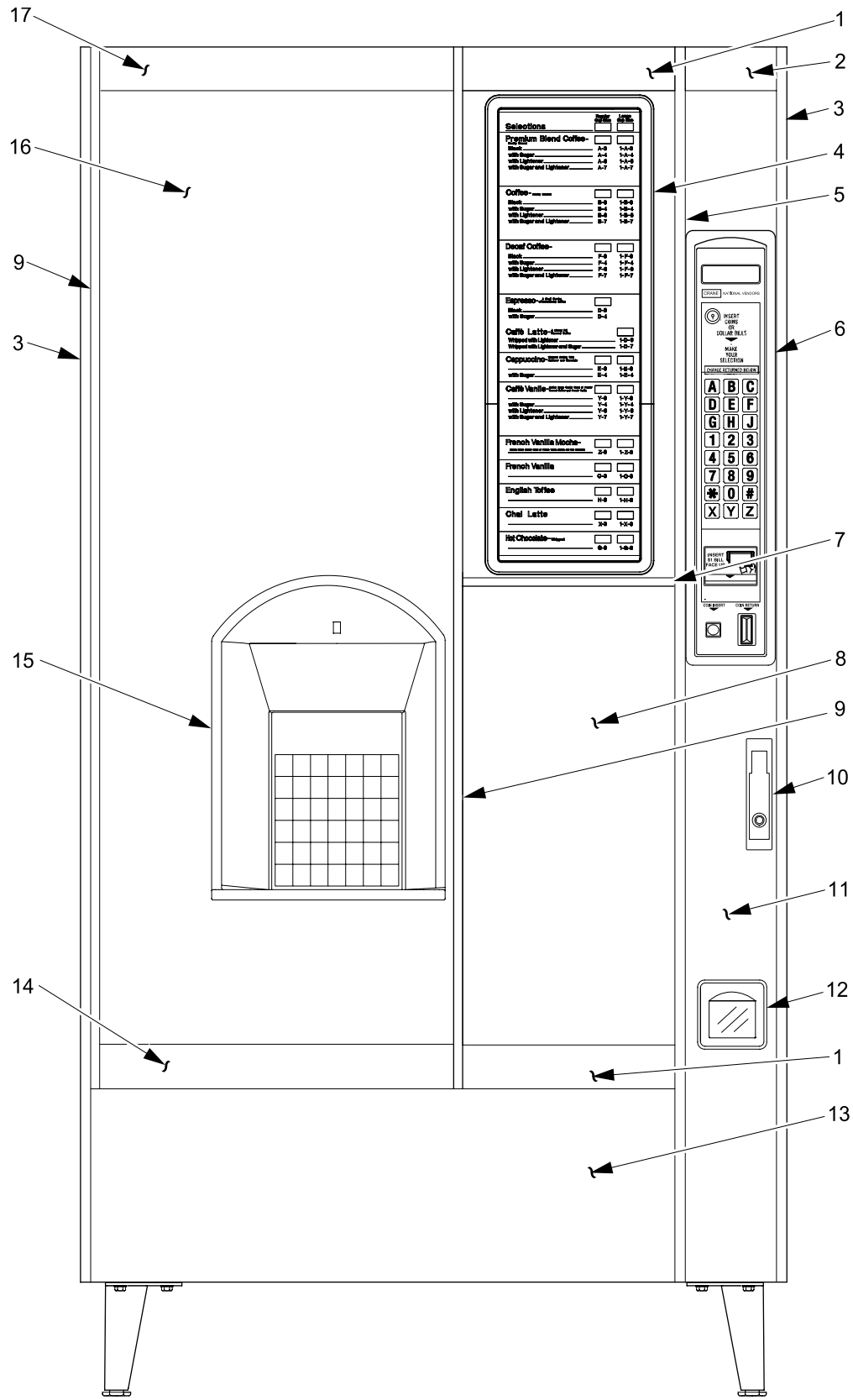
FIGURE:	TITLE:	PAGE:
Section E: Product Canisters		80
FIGURE 41:	Canister Support Assembly - Dual Grinder	80
FIGURE 42:	Canister Support Assembly - Dual/Fresh Brewed w/ 7th Product	82
FIGURE 43:	Canister Support Assembly - Freeze Dried with 7th Product	84
FIGURE 44:	Canister Support Assembly - Single Fresh Brewed w/ 7th Product	86
FIGURE 45:	Canister Support Assembly - Single Fresh Brewed w/ 6th Product	88
FIGURE 46:	Canister Motor - Location	90
FIGURE 47:	Canister Assembly - Chocolate	92
FIGURE 48:	Canister Assembly - Soup 6th Product	94
FIGURE 49:	Canister Assembly - Lightener	96
FIGURE 50:	Canister Assembly - 1 sleeve	98
FIGURE 51:	Canister Assembly - Freeze Dried Coffee	100
FIGURE 52:	Canister Assembly - Coffee Pre-Ground	102
FIGURE 53:	Canister Assembly - Decaffeinated Pre-Ground	104
FIGURE 54:	Canister Assembly - Coffee Bean	106
Section F: Cup Station		108
FIGURE 56:	Canister Support Assembly - Cup Station	108
FIGURE 57:	Cup Delivery Assembly	110
FIGURE 58:	Cup Delivery Assembly - Surevend	112
FIGURE 59:	Cup Delivery Station and Miscellaneous Cabinet Parts	114
Section G: Brewer, Paper Filter		116
FIGURE 60:	Filter Paper and Blower Assembly	116
FIGURE 61:	Bracket, Blower, and Cover Assembly	118
FIGURE 62:	Filter Paper - Pump/Brewer Drive (location)	120
FIGURE 63:	Filter Paper Assembly	122
FIGURE 64:	Pump Assembly - 115V	124
FIGURE 65:	Brewer Drive Assembly	126
FIGURE 66:	Brewer Assembly with Hoses and Mixing Bowl	128
FIGURE 67:	Brewer Assembly With Filter	130
FIGURE 68:	Brewer Assembly Without Filter	132
FIGURE 69:	Gear Train Assembly	134
FIGURE 70:	Carrier and Cam Follower Assembly	136
FIGURE 71:	Idle Axle and Roller Assembly	138
FIGURE 72:	Whipper Assembly	140
FIGURE 73:	Fresh Brew Mixing Bowl Assembly - with Cap and Spout	142
FIGURE 74:	Grinder Assembly - Coffee Bean	144
Section H: Monetary, Cabinet Back		146
FIGURE 75:	Exterior Monetary Door	146
FIGURE 76:	Interior Monetary Door (Part 1 of 3)	148
FIGURE 77:	Interior Monetary Door (Part 2 of 3)	150
FIGURE 78:	Interior Monetary Door (Part 3 of 3)	152
FIGURE 79:	Power Panel Assembly - 20A	154
FIGURE 80:	Monetary - Debit Card Readers and Bill Validators	156
FIGURE 81:	Wiring Diagram - Hot Beverage 115/230 Volt	160

List of Tables

TABLE:	TITLE:	PAGE:
Section A: Exterior of Door		1
TABLE 1:	Door and Trim Panels	3
TABLE 2:	Pop and Trim Display	5
TABLE 3A:	Top Cabinet Assembly With Pop Displays	7
TABLE 3B:	Bottom Cabinet Assembly with Pop Displays	7
TABLE 4:	Frame - Cup Display Door	9
TABLE 5:	Exterior Door - Pop Lights Display	11
TABLE 6:	Pop Display Backlight Assembly - Top	13
TABLE 7:	Pop Display Backlight Assembly - Side	15
TABLE 8:	Pop Display Backlight Assembly - Bottom	17
Section B: Interior of Door		18
TABLE 9:	Interior Door Miscellaneous (Part 1 of 2)	19
TABLE 10:	Interior Door Miscellaneous (Part 2 of 2)	21
TABLE 11:	Menu Backlight Assembly - Upper	23
TABLE 12:	Lockbar Assembly	25
TABLE 13:	Door Lock Parts	27
TABLE 14:	Coin Return Cup Parts	29
TABLE 15:	Cup Canisters and Cup Mechanism Assembly	31
TABLE 16:	Cup Canisters and Cup Mechanisms	33
TABLE 17:	Turret and Canister Assembly - 4 Column	35
TABLE 18:	Turret and Canister Assembly - 7 Column	37
TABLE 19:	Cup Mechanism Assembly - 4 Column 12/20	39
TABLE 20:	Cup Mechanism Assembly - 7 Column 12/25	41
TABLE 21:	Mechanism Assembly - 11 Column	43
TABLE 22:	Cup Ring Assembly	44
TABLE 23:	Actuator Assembly - Cup Ring	45
TABLE 24:	Mounting Bracket Assembly - Right	47
TABLE 25:	Manual Door	49
TABLE 26:	Auto Door	51
Section C: Cabinet, Misc. Parts		52
TABLE 27:	Cabinet Miscellaneous Parts	53
TABLE 28:	Door Hinge Assembly - Upper and Lower	55
TABLE 29:	Leg Assembly	57
TABLE 30:	Base Plate and Assembly - (Millennia)	59
TABLE 31:	Cabinet Service - Light Bracket Assembly	61
TABLE 32:	Overflow Switch Assembly	63
Section D: Water Tank, Water Filters		64
TABLE 33:	Hot Water Valve Assembly - 115V	65
TABLE 34:	Water Tank Assembly	67
TABLE 35:	Water Tank - Lid Assembly	69
TABLE 36:	Filter and Head Assembly - Hydro Life 115V	71
TABLE 37:	Filter Head Assembly - Everpure 115V	73
TABLE 38:	Filter Head Assembly - Cuno 115V	75
TABLE 39:	Bracket and Valve Assembly	77
TABLE 40:	Heater Assembly - 115 / 50W (Optional)	79

List of Tables

TABLE:	TITLE:	PAGE:
Section E: Product Canisters		80
TABLE 41:	Canister Support Assembly - Dual Grinder	81
TABLE 42:	Canister Support Assembly - Dual/Fresh Brewed w/ 7th Product	83
TABLE 43:	Canister Support Assembly - Freeze Dried with 7th Product	85
TABLE 44:	Canister Support Assembly - Single Fresh Brewed w/ 7th Product	87
TABLE 45:	Canister Support Assembly - Single Fresh Brewed w/ 6th Product	89
TABLE 46:	Canister Motor - Location	91
TABLE 47:	Canister Assembly - Chocolate	93
TABLE 48:	Canister Assembly - Soup 6th Product	95
TABLE 49:	Canister Assembly - Lightener	97
TABLE 50:	Canister Assembly - 1 sleeve	99
TABLE 51:	Canister Assembly - Freeze Dried Coffee	101
TABLE 52:	Canister Assembly - Coffee Pre-Ground	103
TABLE 53:	Canister Assembly - Decaffeinated Pre-Ground	105
TABLE 54:	Canister Assembly - Coffee Bean	107
TABLE 55:	Canister Assembly - Decaf Bean (Not Shown)	107
Section F: Cup Station		108
TABLE 56:	Canister Support Assembly - Cup Station	109
TABLE 57:	Cup Delivery Assembly	111
TABLE 58:	Cup Delivery Assembly - Surevend	113
TABLE 59:	Cup Delivery Station and Miscellaneous Cabinet Parts	115
Section G: Brewer, Paper Filter		116
TABLE 60:	Filter paper and Blower Assembly	117
TABLE 61:	Bracket, Blower, and Cover Assembly	119
TABLE 62:	Filter Paper - Pump/Brewer Drive (location)	121
TABLE 63:	Filter Paper Assembly	123
TABLE 64:	Pump Assembly - 115V	125
TABLE 65:	Brewer Drive Assembly	127
TABLE 66:	Brewer Assembly with Hoses and Mixing Bowl.....	129
TABLE 67:	Brewer Assembly With Filter	131
TABLE 68:	Brewer Assembly Without Filter	133
TABLE 69:	Gear Train Assembly	135
TABLE 70:	Carrier and Cam Follower Assembly	137
TABLE 71A:	Idle Axle and Roller Assembly - Right	139
TABLE 71B:	Idle Axle and Roller Assembly - Left	139
TABLE 72:	Whipper Assembly	141
TABLE 73:	Fresh Brew Mixing Bowl Assembly - with Cap and Spout	143
TABLE 74:	Grinder Assembly - Coffee Bean	145
Section H: Monetary, Cabinet Back		146
TABLE 75:	Exterior Monetary Door	147
TABLE 76:	Interior Monetary Door (Part 1 of 3)	149
TABLE 77:	Interior Monetary Door (Part 2 of 3)	151
TABLE 78:	Interior Monetary Door (Part 3 of 3)	153
TABLE 79:	Power Panel Assembly - 20A	155
TABLE 80A:	Monetary - Debit Card Readers and Bill Validators	157
TABLE 80B:	Monetary Location Options	157
TABLE 80C:	Card Reader Options	158
TABLE 80D:	Bill Validator Options	158
TABLE 80E:	Coin Mechanism Options	159
TABLE 81A:	Wiring Diagram - Hot Beverage 115/230 Volt	161
TABLE 81B:	J Connections	161

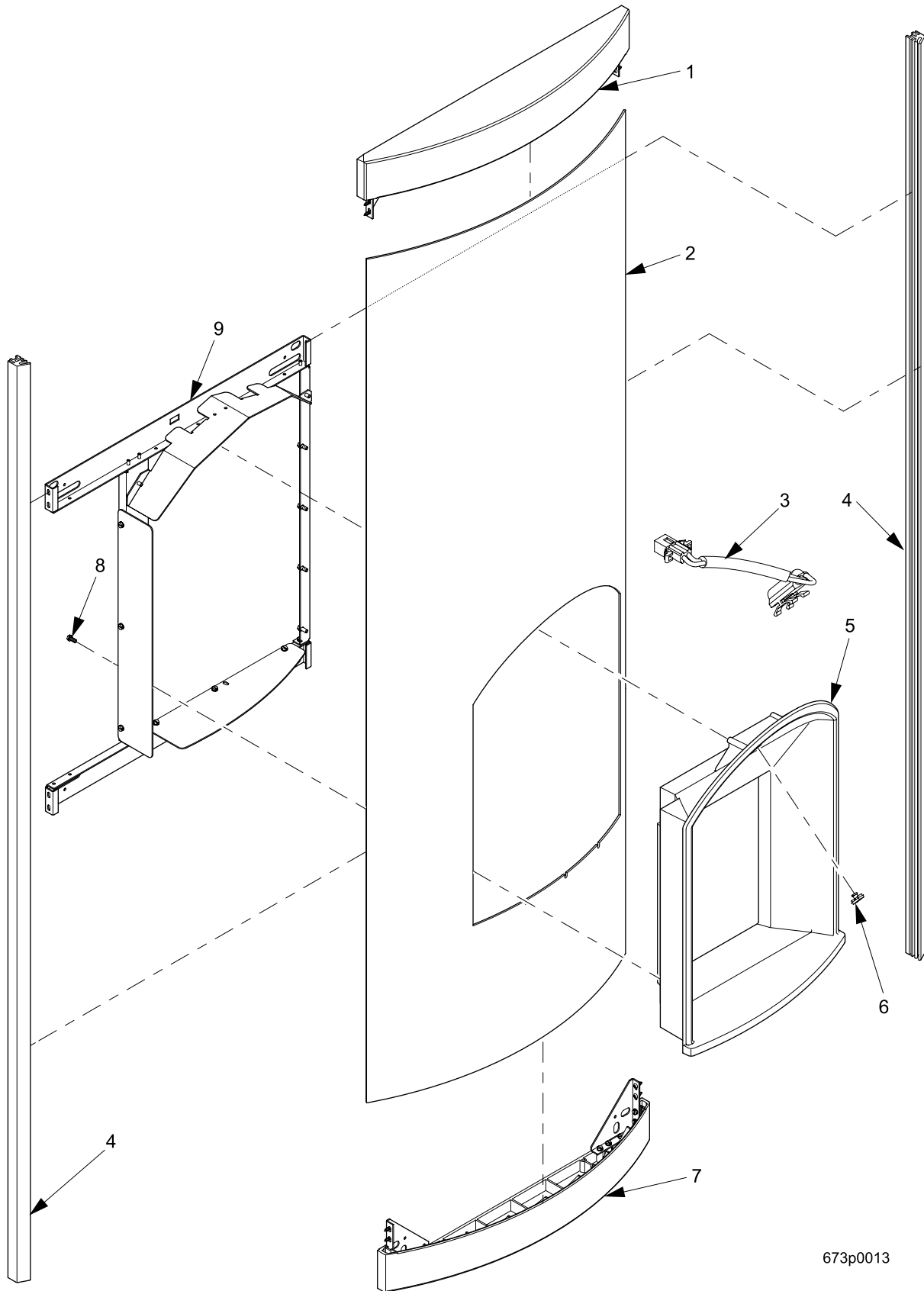


673p0001

FIGURE 1 DOOR AND TRIM PANELS

TABLE 1 DOOR AND TRIM PANELS

INDEX	PART NUMBER	DESCRIPTION	QTY
1	6732040	TRIM-DOOR-HORIZONTAL (LONG)	2
2	6732039	TRIM-DOOR-HORIZONTAL (SHORT)	1
3	1592069	TRIM-DOOR-SIDE-BLACK	2
4	6732043	FRAME-PRODUCT IDENTIFIER	1
5	6732038	TRIM-DOOR-VERTICAL	1
6	1575002	CASTING-MONETARY FRAME	1
7	6732048	TRIM - GLASS	1
8	6732032	TRIM PANEL-CENTER-BLACK PICA	1
9	6732003	TRIM-DISPLAY-VERTICAL-BLACK	2
10	8905011	BASE-LEVER-LOCK-BLACK	1
11	6732031	TRIM PANEL-RIGHT-BLK PIC	1
12	1572011	TRIM-COIN CUP-BLACK	1
13	6732027	TRIM PANEL-BOTTOM-STERLING	1
	6732085	TRIM PANEL-BOTTOM-MILL.GREY	1
	6732030	TRIM PANEL-BOTTOM-BLK PICA	1
14	6732017	END CAP ASSY.-BOTTOM-P.O.P.DISPLAY (SEE FIGURE 3)	1
15	6732004	FRAME-CUP-DISPLAY DOOR	1
16	6732002	DISPLAY POP-HDC2	1
17	6732012	END CAP ASSY-TOP-P.O.P.DISPLAY (SEE FIGURE 3)	1

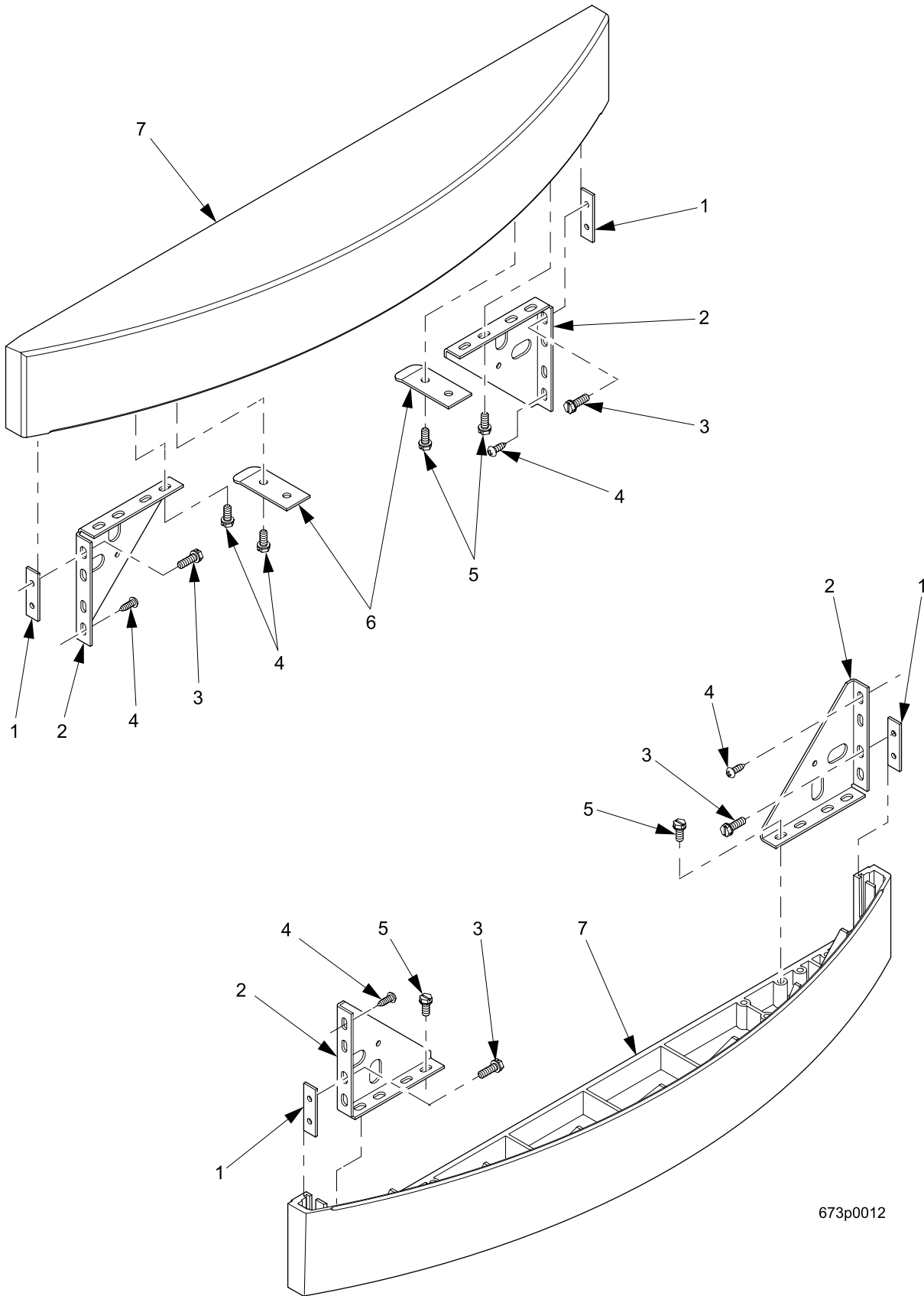


673p0013

FIGURE 2 POP AND TRIM DISPLAY

TABLE 2 POP AND TRIM DISPLAY

INDEX	PART NUMBER	DESCRIPTION	QTY
1	6732012	END CAP ASSY-TOP-P.O.P.DISPLAY (SEE FIGURE 3)	1
2	6732002	DISPLAY POP-HDC2	1
3	6739013	INDICATOR LAMP-28V	1
4	6732003	TRIM-DISPLAY-VERTICAL-BLACK	2
5	6732004	FRAME-CUP-DISPLAY DOOR	1
6	6362021	LENS-RECTANGULAR-RED	1
7	6732017	END CAP ASSY.-BOTTOM-P.O.P. DISPLAY (SEE FIGURE 3)	1
8	6233065	SCREW-#8-16X.38 PLAST.HHS	10
9	6732005	FRAME ASSY-CENTER-P.O.P. DISPLAY (SEE FIGURE 4)	1



673p0012

FIGURE 3 TOP AND BOTTOM END CABINET ASSEMBLY WITH POP DISPLAYS

TABLE 3A TOP CABINET ASSEMBLY WITH POP DISPLAYS

INDEX	PART NUMBER	DESCRIPTION	QTY
1	6732016	BRACKET-MOUNTING-CORNER BRACE	2
2	6732014	BRACE-CORNER	2
3	4741050	SCREW-#8-32 X .50 HX.HD.-T/F-B	4
4	G1472027	SCREW-SHEET METAL-#6 X .44	--
5	6233065	SCREW-#8-16X.38 PLAST.HHS	12
6	6732015	BRACKET-HANGER-DISPLAY DOOR	2
7	6732013	END CAP-DISPLAY DOOR	1

TABLE 3B BOTTOM CABINET ASSEMBLY WITH POP DISPLAYS

INDEX	PART NUMBER	DESCRIPTION	QTY
1	6732016	BRACKET-MOUNTING-CORNER BRACE	2
2	6732014	BRACE-CORNER	2
3	4741050	SCREW-#8-32 X .50 HX.HD.-T/F-B	4
4	G1472027	SCREW-SHEET METAL-#6 X .44	--
5	6233065	SCREW-#8-16X.38 PLAST.HHS	8
7	6732013	END CAP-DISPLAY DOOR	1

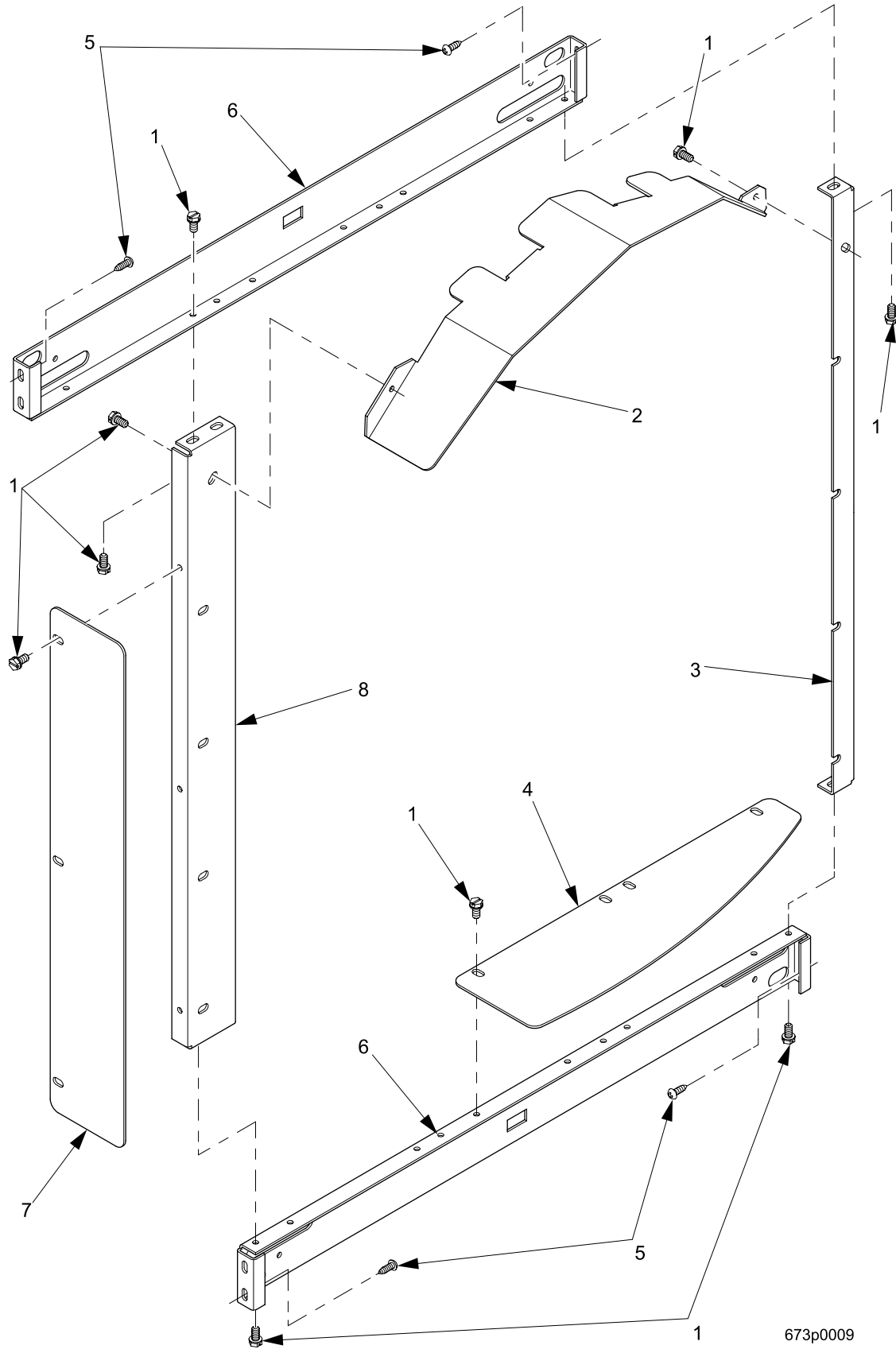
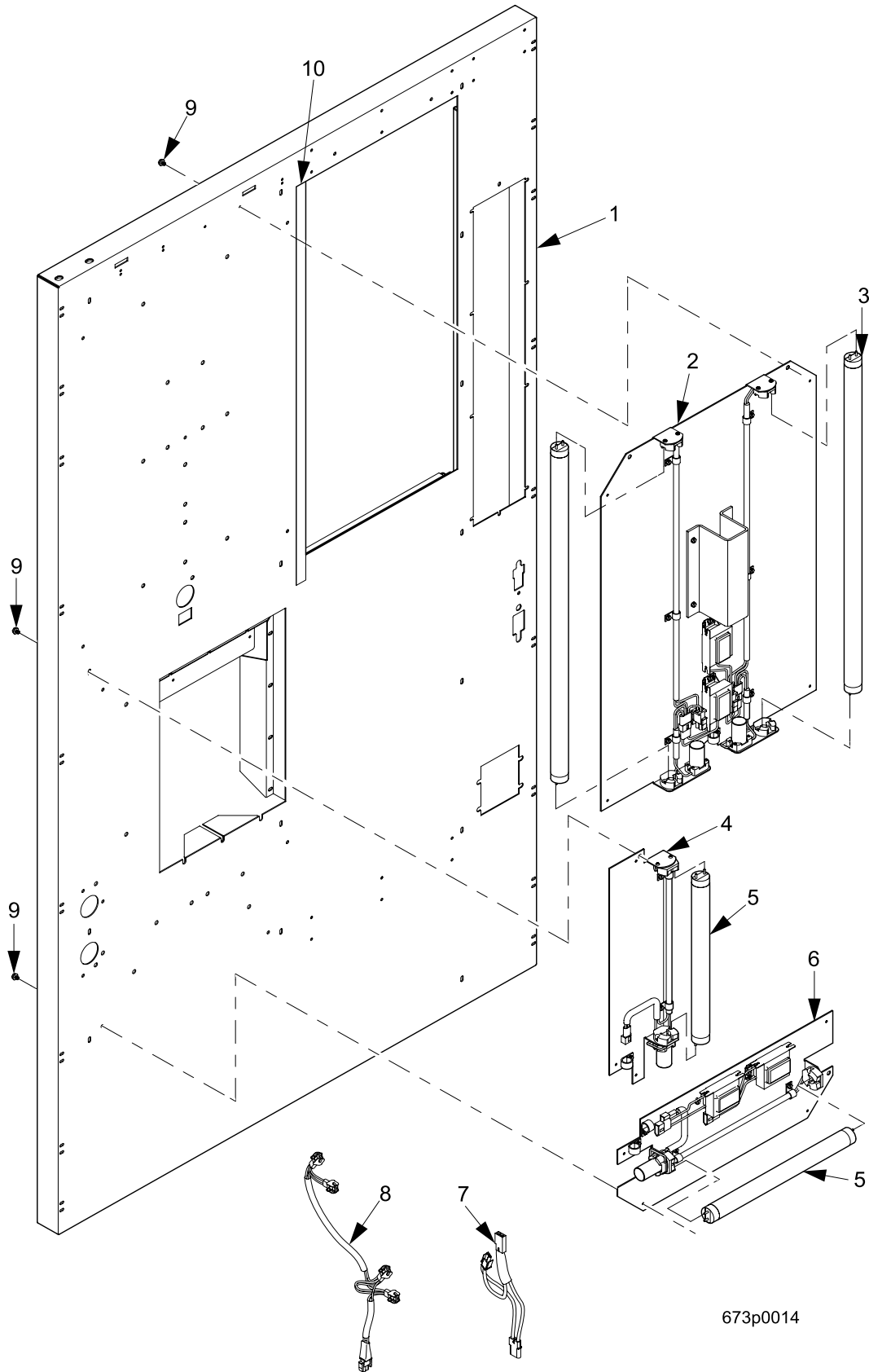


FIGURE 4 FRAME - CUP DISPLAY DOOR

673p0009

TABLE 4 FRAME - CUP DISPLAY DOOR

INDEX	PART NUMBER	DESCRIPTION	QTY
1	1451097	SCREW-#8-32X.31 HEX HD.TF-BLK.	14
2	6732011	PLATE-SUPPORT-TOP	1
3	6732008	BRACE-VERTICAL-SMALL	1
4	6732009	PLATE-SUPPORT-BOTTOM	1
5	G1472027	SCREW-SHEET METAL-#6 X .44	-
6	6732006	BRACE-CROSS	2
7	6732010	PLATE-SUPPORT-SIDE	1
8	6732007	BRACE-VERTICAL	1



673p0014

FIGURE 5 EXTERIOR DOOR - POP LIGHTS DISPLAY

TABLE 5 EXTERIOR DOOR - POP LIGHTS DISPLAY

INDEX	PART NUMBER	DESCRIPTION	QTY
1	6732035	DOOR WELD ASSY.-PAINTED BLACK	1
2	6732018	BACKLIGHT ASSEMBLY - TOP (SEE FIGURE 6)	1
3	6732034	LAMP-FLUORESCENT-18W	2
4	6732022	BACKLIGHT ASSEMBLY-SIDE (SEE FIGURE 7)	1
5	6732033	LAMP-FLUORESCENT-13W	2
6	6732024	BACKLIGHT ASSEMBLY-BOTTOM (SEE FIGURE 8)	1
7	6739009	JUMPER-FILTER & FLST.LIGHT	1
8	6739003	HARNESS-DOOR FLUORESCENT	1
9	3157060	SCREW-#8-32X.31	12
10	1172059	VINYL FOAM TAPE	26 IN

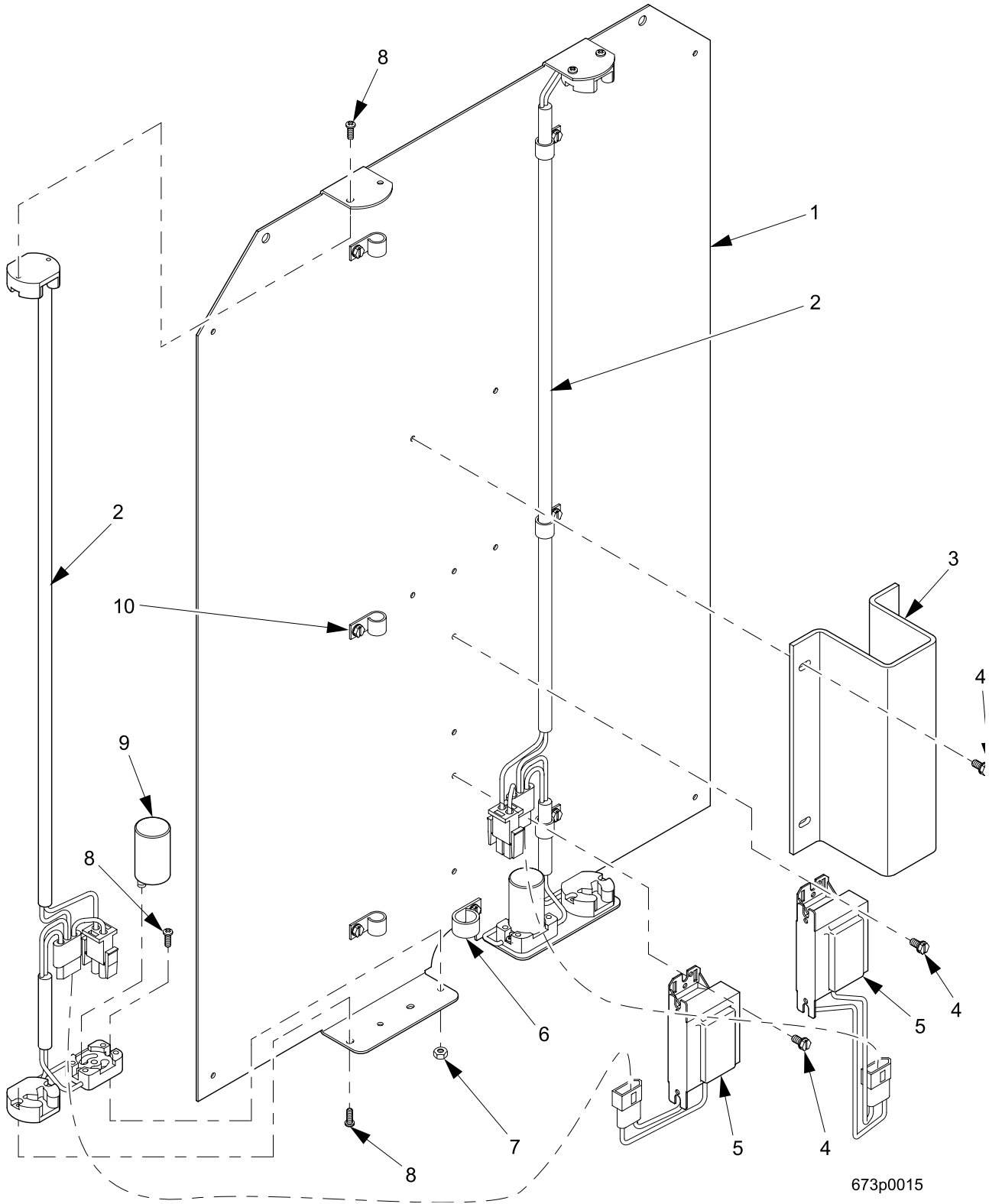


FIGURE 6 POP DISPLAY BACKLIGHT ASSEMBLY - TOP

TABLE 6 POP DISPLAY BACKLIGHT ASSEMBLY - TOP

INDEX	PART NUMBER	DESCRIPTION	QTY
1	6732019	REFLECTOR-LIGHT-TOP	1
2	6739007	HARNESS-RIGHT LAMP	2
3	6732020	BRACE-DISPLAY SUPPORT	1
4	1451097	SCREW-#8-32X.31 HEX HD.TF-BLK.	15
5	6732021	BALLAST ASSY-18W-120V	2
6	4732024	RETAINER-HARNESS	1
7	9900071	NUT #4-40	4
8	5262139	SCREW #4-40X3/8 PPHD M SCR 2P	12
9	2302218	STARTER-FLSCT LAMP-FS-25	2
10	1452139	RETAINER-HARNESS	6

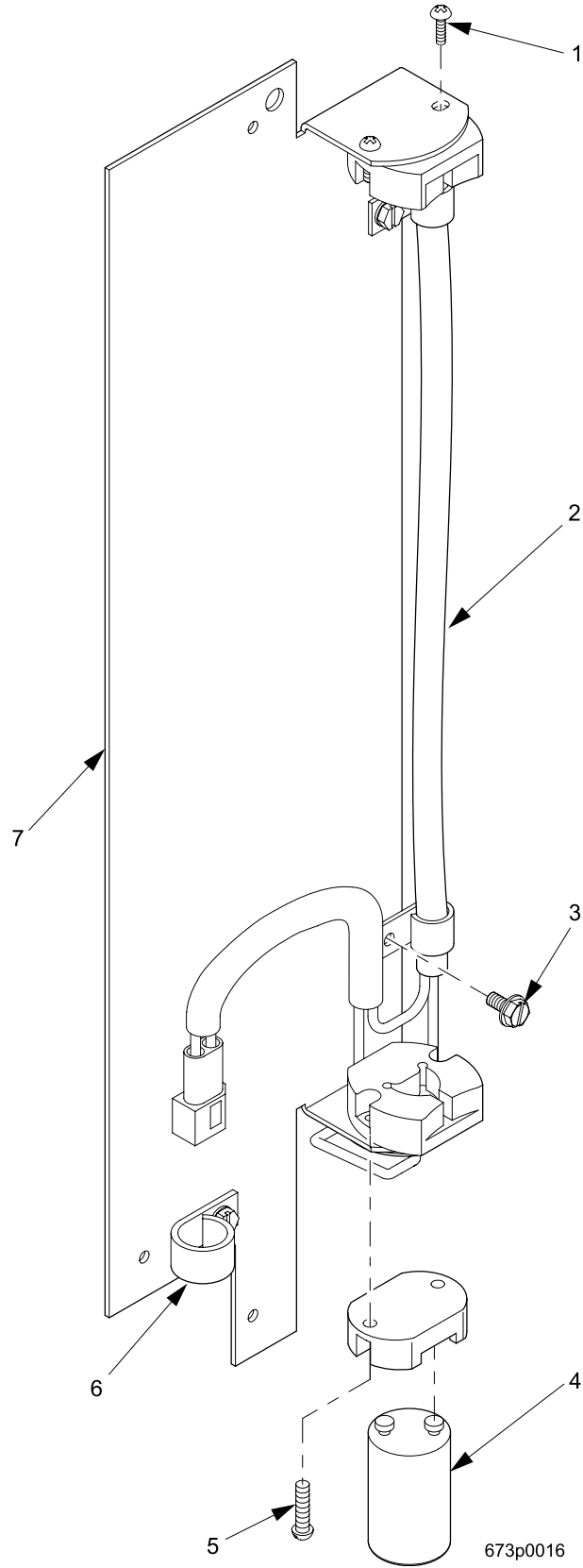
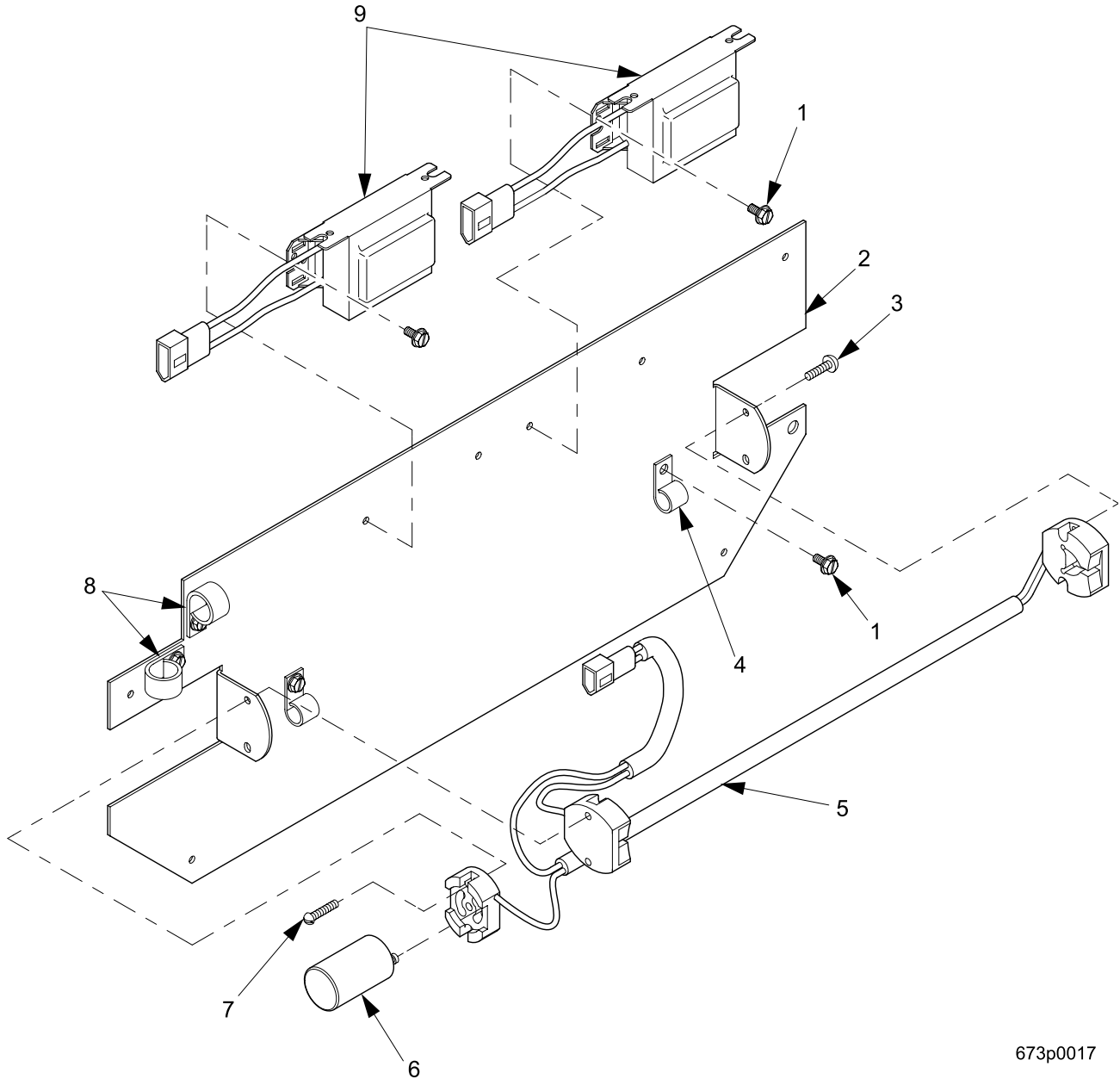


FIGURE 7 POP DISPLAY BACKLIGHT ASSEMBLY - SIDE

TABLE 7 POP DISPLAY BACKLIGHT ASSEMBLY - SIDE

INDEX	PART NUMBER	DESCRIPTION	QTY
1	5262139	SCREW #4-40X3/8 PPHD M SCR 2P	2
2	2346016	HARNESS-FLUORESCENT LIGHT	1
3	1451097	SCREW-#8-32X.31 HEX HD.TF-BLK.	3
4	2222095	STARTER FS-2,FLUORSCNT LAMP KB	1
5	4312216	SCREW-#4-40 X 5/8 R.H.P	2
6	4732024	RETAINER-HARNESS	2
7	6232023	REFLECTOR - LIGHT -CTR.	1



673p0017

FIGURE 8 POP DISPLAY BACKLIGHT ASSEMBLY - BOTTOM

TABLE 8 POP DISPLAY BACKLIGHT ASSEMBLY - BOTTOM

INDEX	PART NUMBER	DESCRIPTION	QTY
1	1451097	SCREW-#8-32X.31 HEX HD.TF-BLK.	8
2	6732025	REFLECTOR-LIGHT-BTM	1
3	5262139	SCREW-#4-40 X 3/8 PPHD M SCR 2P	2
4	1452139	RETAINER-HARNESS	2
5	2346016	HARNESS-FLUORESCENT LIGHT	1
6	2222095	STARTER FS-2,FLUORSCNT LAMP KB	1
7	4312216	SCREW-#4-40 X 5/8 R.H.P.	2
8	4732024	RETAINER-HARNESS	2
9	6732026	BALLAST ASSY-13W-120V	2

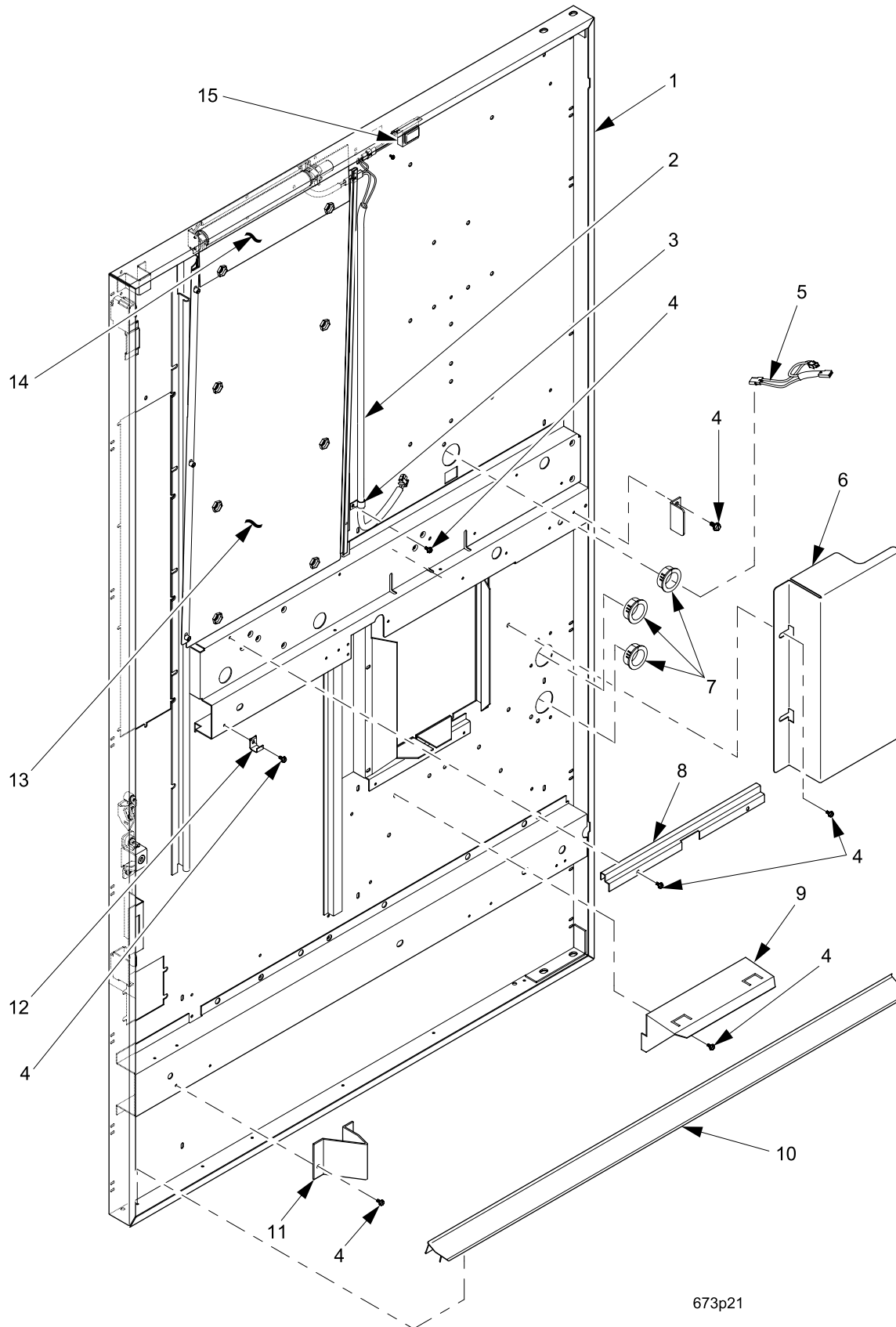
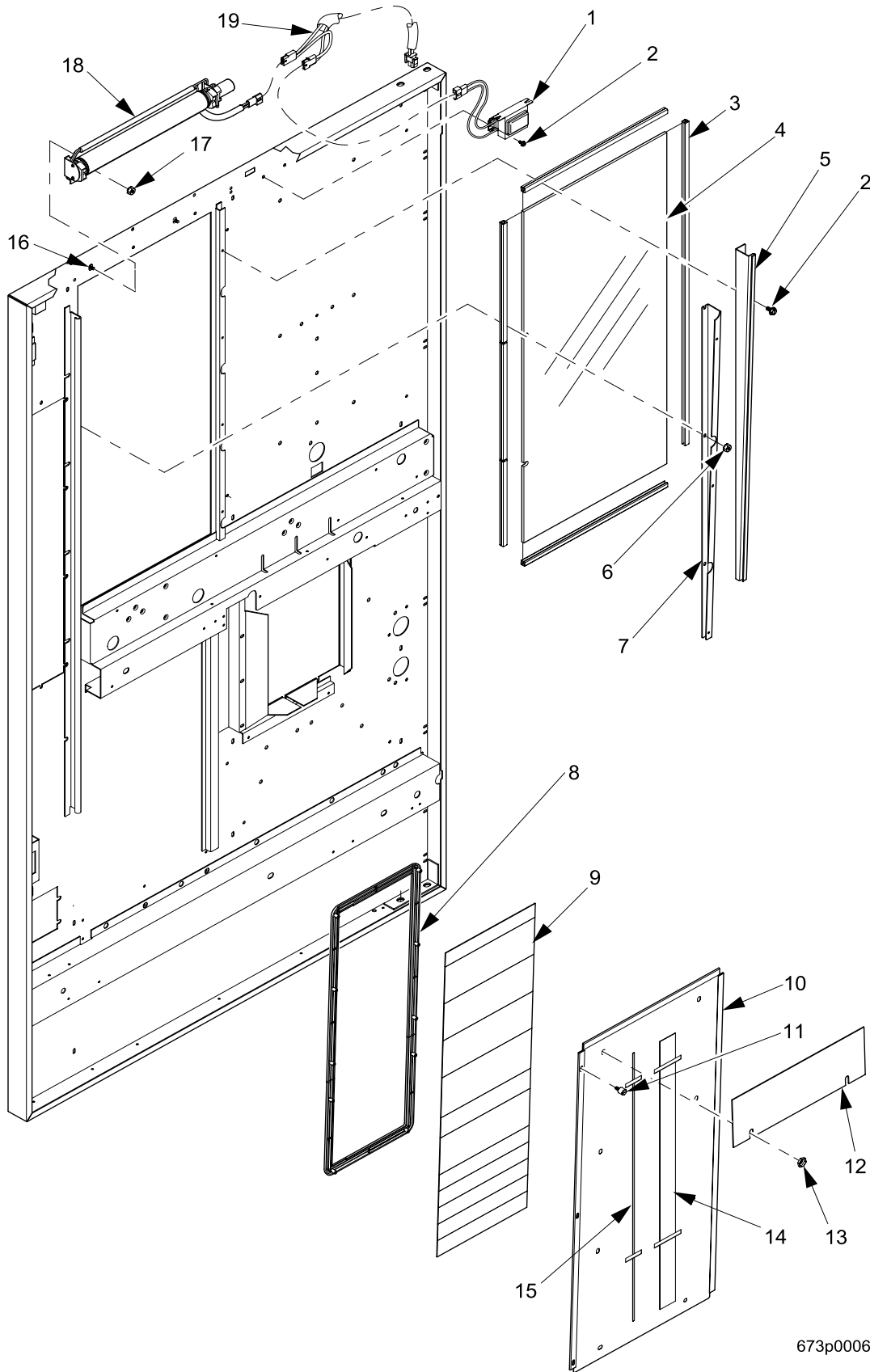


FIGURE 9 INTERIOR DOOR MISCELLANEOUS (PART 1 OF 2)

TABLE 9 INTERIOR DOOR MISCELLANEOUS (PART 1 OF 2)

INDEX	PART NUMBER	DESCRIPTION	QTY
1	6732035	DOOR WELD ASSY.-PAINTED BLACK	1
2	6739014	JUMPER-MENU LAMP	1
3	1452139	RETAINER-HARNESS	2
4	1451097	SCREW-#8-32X.31 HEX HD.TF-BLK.	--
5	4559009	HARNESS JUMPER	1
6	6732086	COVER-ELECTRICAL PLUG	1
7	4041047	BUSHING #SB1375-16	3
8	6732051	MOUNT-DISPLAY-LOWER	1
9	6342040	LIFT BRACKET-CUP STATION	1
10	1452151	FILLER STRIP-SANITATION	1
11	6231164	BRACKET-DOOR SUPPORT	1
12	3142138	HANGER-CUP STATION	1
13	6732054	PANEL-DISPLAY-LABELS-BLACK PICA	1
14	6732053	SHIELD LIGHT	1
15	6732026	BALLAST ASSY-13W-120V	1
--	6732050	LABEL - DISPLAY PLUG (NOT SHOWN)	1



673p0006

FIGURE 10 INTERIOR DOOR MISCELLANEOUS (PART 2 OF 2)

TABLE 10 INTERIOR DOOR MISCELLANEOUS (PART 2 OF 2)

INDEX	PART NUMBER	DESCRIPTION	QTY
1	6732026	BALLAST ASSY-13W-120	1
2	1451097	SCREW-#8-32X.31 HEX HD.TF-BLK.	--
3	6232092	EXTRUSION-GLASS CHANNEL	77"
4	6732045	GLASS-DISPLAY	1
5	6732044	MOUNT-DISPLAY-RIGHT	1
6	9900081	NUT #8-32 KEPS ZINC PLATE	3
7	6732049	MOUNT-DISPLAY-LEFT	1
8	6732043	FRAME-PROD.IDENTIFIER	1
9	--	LABEL INSERT - SEE BAG ASEMBLY TABLE	1
10	6732054	PANEL DISPLAY LABELS - BLACK PICA	1
11	2206028	THUMB SCREW-SIDEWALL	3
12	6732053	SHIELD-LIGHT	1
13	6232078	NUT - SELF THREADING	10
14	6732088	OVERLAY-LARGE CUP	1
15	6732087	FILLER-FRAME	1
16	2222110	T BOLT-TRIM	2
17	9900081	NUT #8-32 KEPS ZINC PLATE	2
18	6732062	UPPER LIGHT BRACKET ASSEMBLY (SEE FIGURE 11)	1
19	6739014	JUMPER-MENU LAMP	1

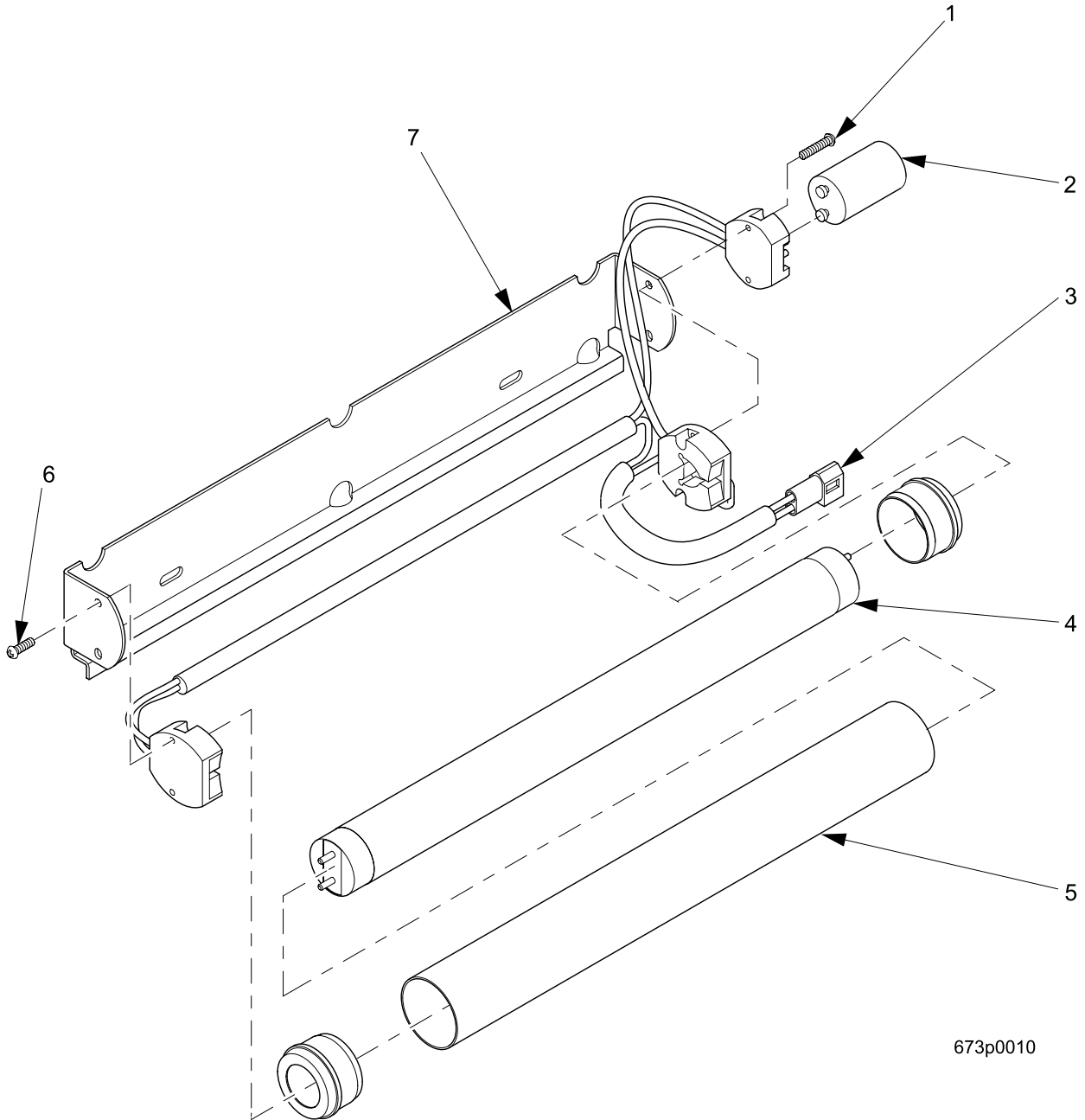
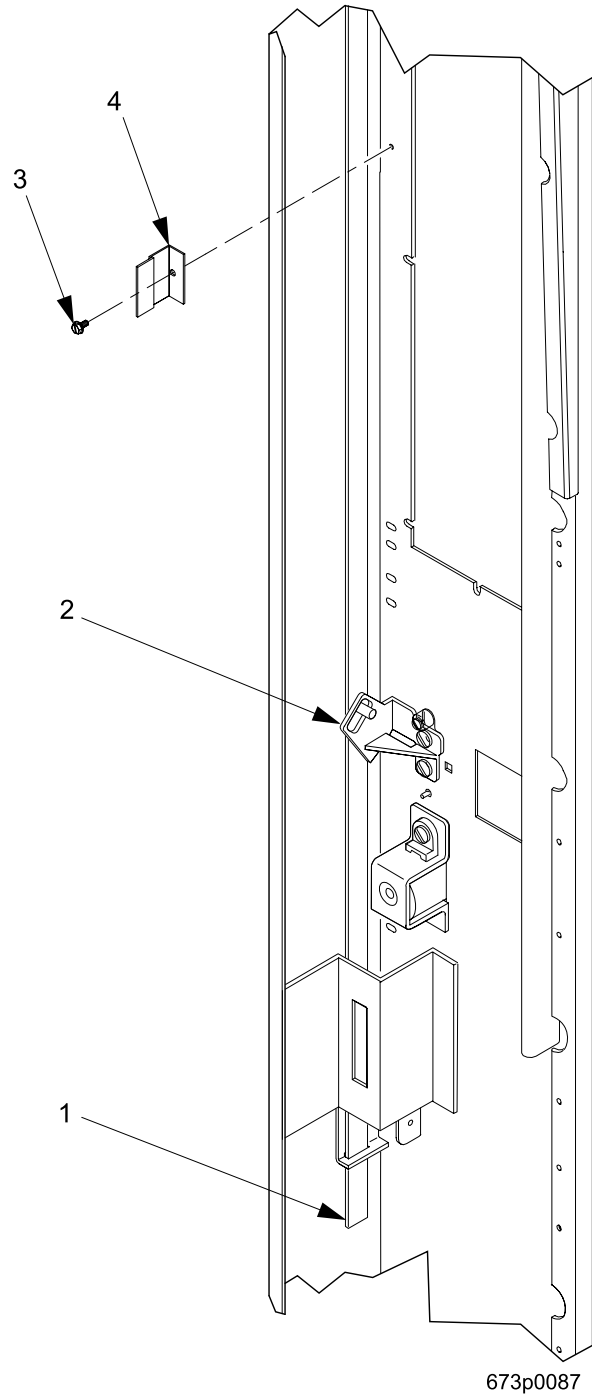


FIGURE 11 MENU BACKLIGHT ASSEMBLY - UPPER

TABLE 11 MENU BACKLIGHT ASSEMBLY - UPPER

INDEX	PART NUMBER	DESCRIPTION	QTY
1	4312216	SCREW-#4-40 X 5/8 R.H.P	2
2	2222095	STARTER FS-2,FLUORSCNT LAMP KB	1
3	2346016	HARNESS-FLUORESCENT LIGHT	1
4	6732033	LAMP-FLUORESCENT-13W	2
5	6732052	LAMP SLEEVE W/END CAPS	1
6	5262139	SCREW #4-40X3/8 PPHD M SC	2
7	6732047	BRACKET-LIGHT TUBE	1

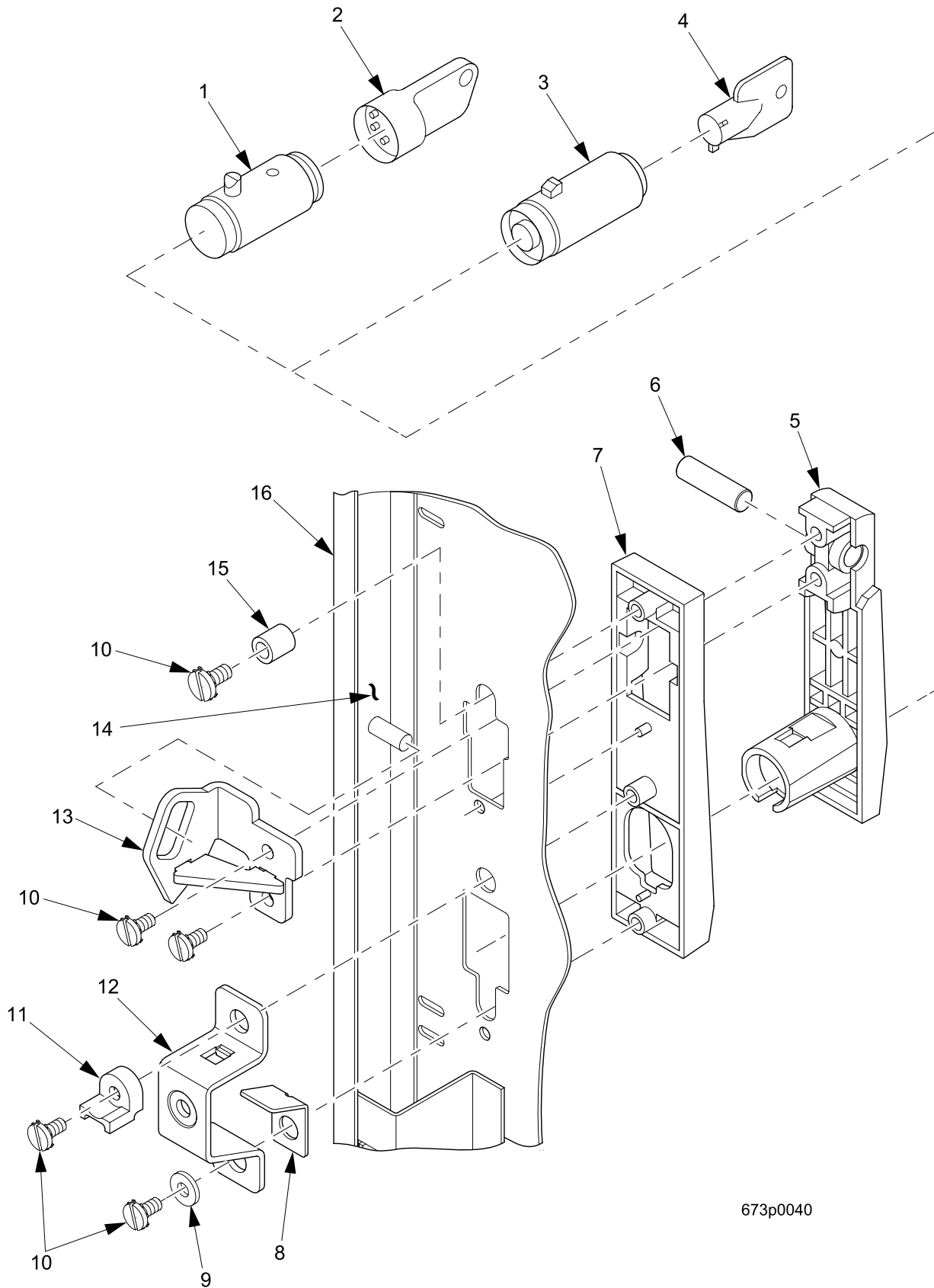


673p0087

FIGURE 12 LOCKBAR ASSEMBLY

TABLE 12 LOCKBAR ASSEMBLY

INDEX	PART NUMBER	DESCRIPTION	QTY
1	1472178	LOCK BAR ASSEMBLY	1
2	2272052	ACTUATOR-LOCK BAR	1
3	G1472028	SCREW-#6 X 3/8 SHEET METAL	--
4	1472250	GUIDE-LOCK BAR	1

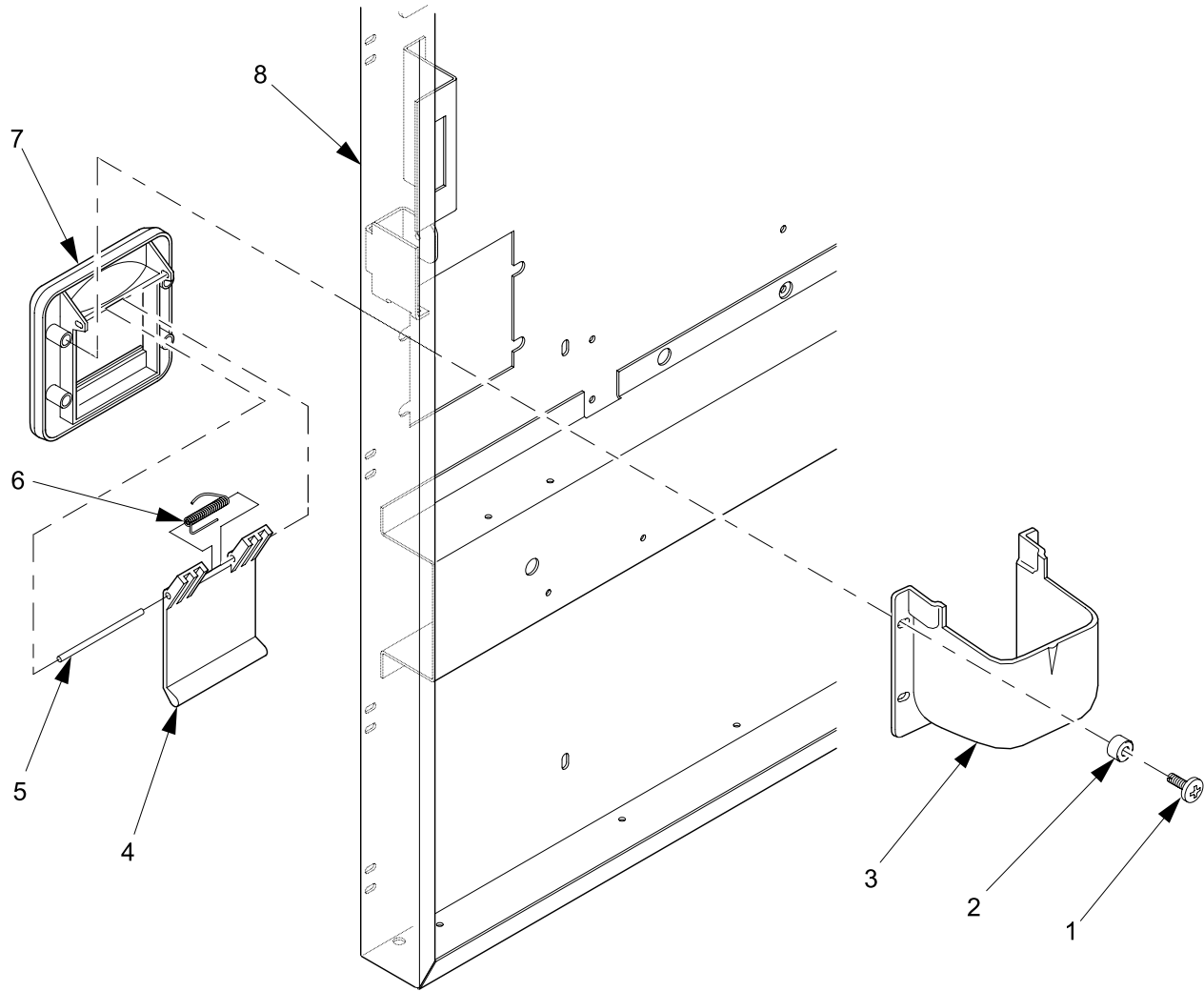


673p0040

FIGURE 13 DOOR LOCK PARTS

TABLE 13 DOOR LOCK PARTS

INDEX	PART NUMBER	DESCRIPTION	QTY
1	3112163	CYLINDER-VAN LOCK #4275 STANDARD COMBINATION	1
2	3112164	KEY-VAN LOCK #K5-STD.COMBINATN	2
3	9992400	LOCK CYLINDER #4355-19-A	1
4	9994000	KEY-GENERIC-2930 CS	--
5	8905012	LEVER-LOCK-BLACK	1
6	1302291	PIVOT-LEVER-LOCK	1
7	8905011	BASE-LEVER-LOCK-BLACK	1
8	1302290	LATCH-LOCK-LOWER	1
9	9900121	WASHER STEEL 7/6 X .203 X .032	1
10	9900170	SCREW-#10-32 X 1/2"PHIL.PAN HD	5
11	1302326	SHIELD-LATCH	1
12	1302324	CATCH-DOOR LATCH	1
13	2272052	ACTUATOR ASSY-LOCK BAR	1
14	1472178	LOCK BAR ASSEMBLY	1
15	1302289	SPACER CUP	1
16	6732035	DOOR WELD ASSY.-PAINTED BLACK	1

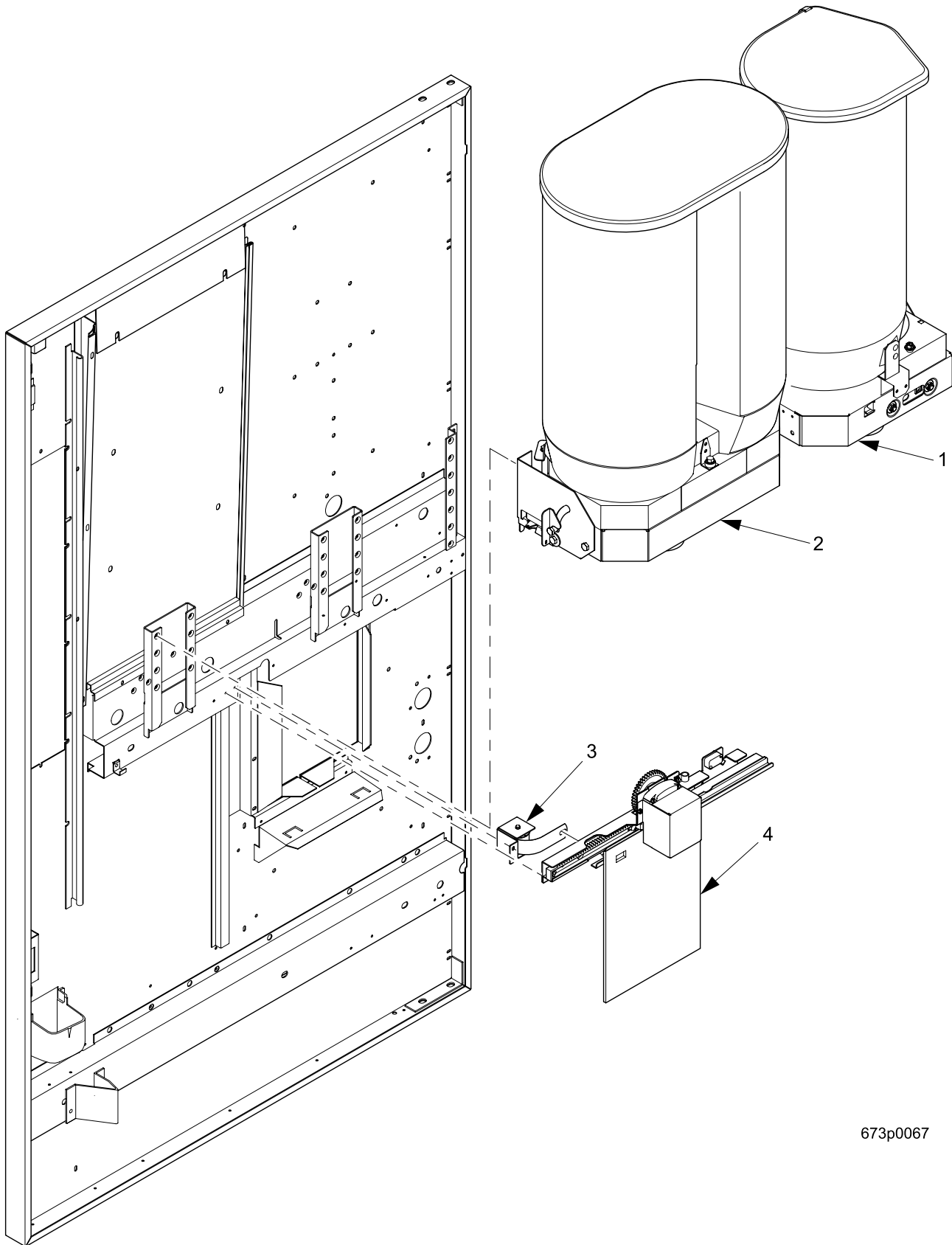


673p0041

FIGURE 14 COIN RETURN CUP PARTS

TABLE 14 COIN RETURN CUP PARTS

INDEX	PART NUMBER	DESCRIPTION	QTY
1	9900160	SCREW-#8-18 X 1/2"PHIL.PAN HD.	4
2	2302053	SPACER-CUP	4
3	1572010	CUP-COIN RETURN	1
4	4245082	GATE-COIN RETURN	1
5	4245084	SHAFT-DOOR-COIN RETURN	1
6	4245083	SPRING-COIN RETURN DOOR	1
7	1572011	TRIM-COIN CUP-BLACK	1
8	6732035	DOOR WELD ASSY.-PAINTED BLACK	1

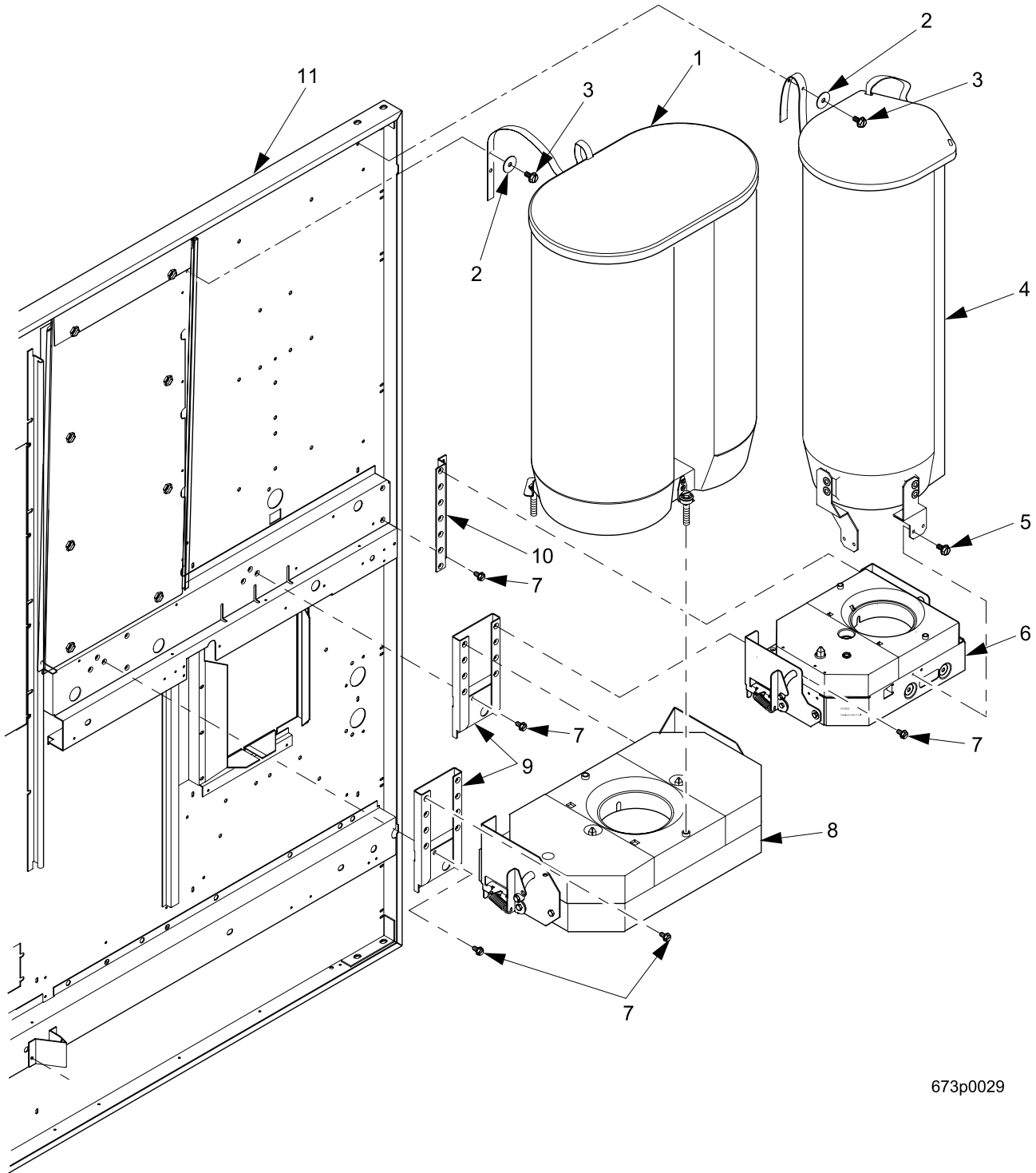


673p0067

FIGURE 15 CUP CANISTERS AND CUP MECHANISM ASSEMBLY

TABLE 15 CUP CANISTERS AND CUP MACHANISM ASSEMBLY

INDEX	PART NUMBER	DESCRIPTION	QTY
1	--	CUP CANISTER & CUP MECH 4COL (SEE FIGURE 16), (SEE FIGURE 17), AND (SEE FIGURE 19)	--
2	--	CUP CANISTER & CUP MECH 7COL (SEE FIGURE 16), (SEE FIGURE 18), (SEE FIGURE 20)	--
3	6232118	HSG & SPRING ASSY-VEND DOOR (SEE FIGURE 25)	1
4	--	VEND DOOR & MOTOR ASSY (SEE FIGURE 26)	--



673p0029

FIGURE 16 CUP CANISTERS AND CUP MECHANISMS

TABLE 16 CUP CANISTERS AND CUP MECHANISMS

INDEX	PART NUMBER	DESCRIPTION	QTY
1	3283014	TURRET ASSY-1A	1
2	6138181	WASHER PLATE	2
3	1451097	SCREW-#8-32X.31 HEX HD.TF-BLK.	--
4	6733006	TURRET & CANISTER ASSY-4 COL.-	1
5	1451097	SCREW-#8-32X.31 HEX HD.TF-BLK.	--
6	6733005	MECHANISM ASSY-4 COL-12/20 OZ	1
7	6262021	SCREW-1/4-20 T/TITE X .50HHS	8
8	3283018	MECHANISM ASSY-18 OZ-7 COLUMN	1
9	3282006	BRACKET-CUP MECH-CENTER	2
10	3282005	BRACKET-CUP MECH-R & L	1
11	6732035	DOOR WELD ASSY.-PAINTED BLACK	1

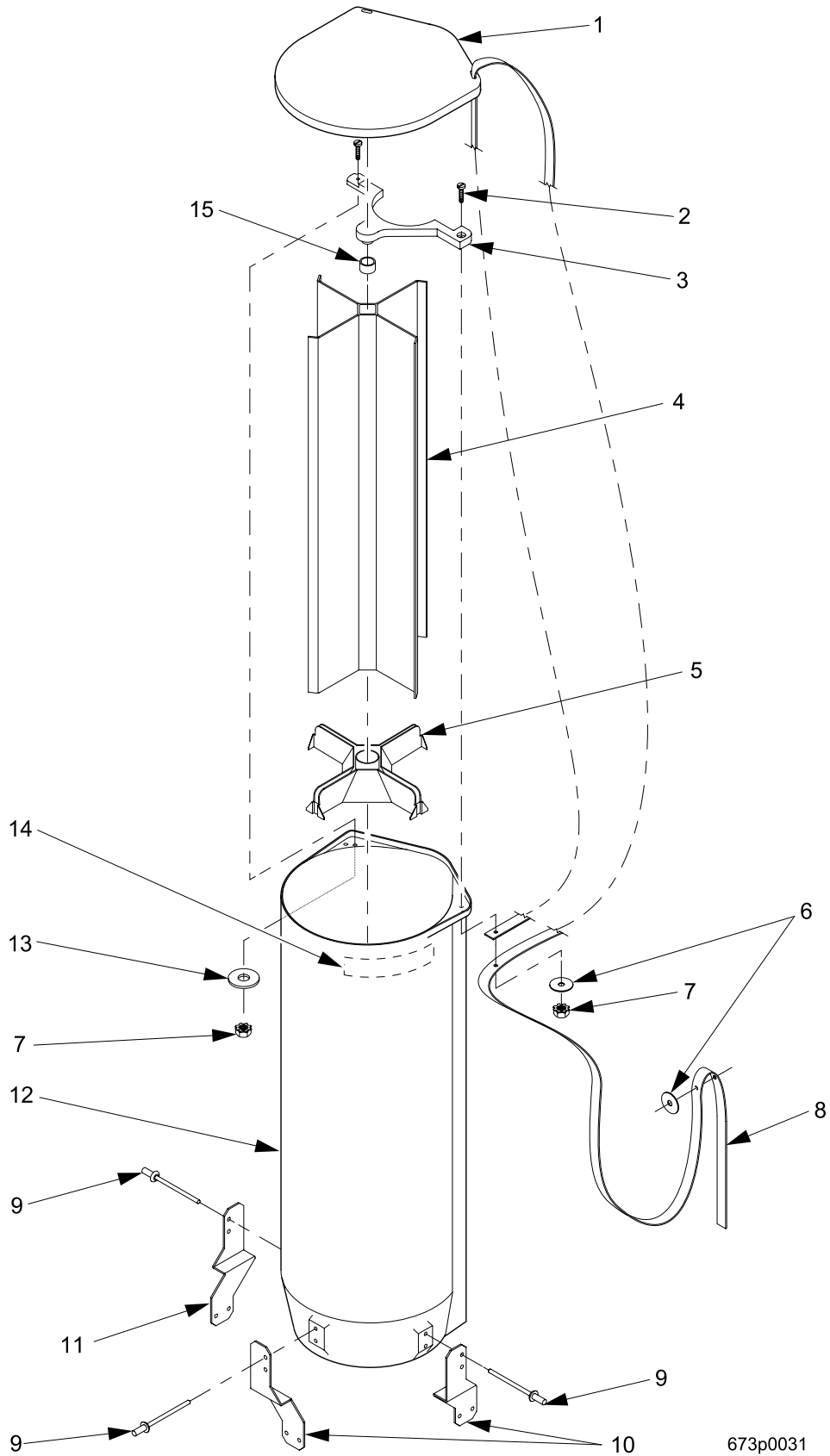


FIGURE 17 TURRET AND CANISTER ASSEMBLY - 4 COLUMN

TABLE 17 TURRET AND CANISTER ASSEMBLY - 4 COLUMN

INDEX	PART NUMBER	DESCRIPTION	QTY
1	3633032	LID-CANISTER-4 COLUMN-12/18 OZ	1
2	3102447	8-32 X 3/4 PHS TYPE 23 T/C ZNC	2
3	3633008	BEARING-TURRET TOP	1
4	3633007	CENTER VANE-TURRET	1
5	6233048	BASE-TURRET	1
6	6138181	WASHER PLATE	2
7	9900081	NUT #8-32 KEPS ZINC PLATE	2
8	6333003	STRAP-CANISTER	1
9	6537026	ALUMINUM CAP RIVET-.187 DIA	6
10	3633010	BRACKET-CANISTER-LEFT	1
11	3633011	BRACKET-CANISTER-RIGHT	1
12	3633031	CANISTER-CUP-4 COLUMN-12/18 OZ	1
13	6114121	WASHER ROLLER	1
14	6233095	LABEL-FILL LINE	4
15	2302053	SPACER-CUP	4

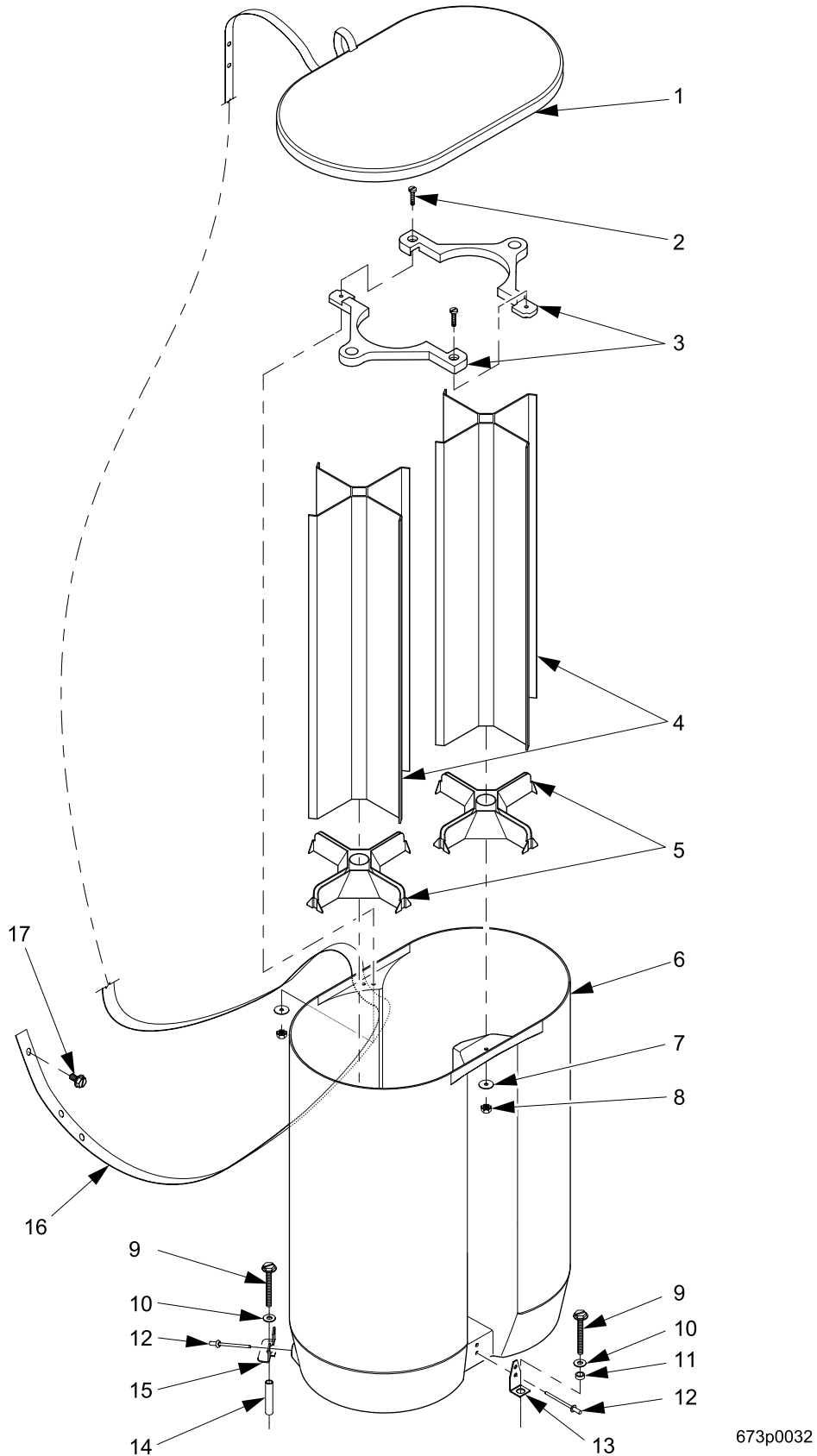


FIGURE 18 TURRET AND CANISTER ASSEMBLY - 7 COLUMN

TABLE 18 TURRET AND CANISTER ASSEMBLY - 7 COLUMN

INDEX	PART NUMBER	DESCRIPTION	QTY
1	3283032	LID-CANISTER	1
2	3102447	8-32 X 3/4 PHS TYPE 23 T/C ZNC	4
3	3633008	BEARING-TURRET TOP	2
4	3283069	VANE-CANISTER-LARGE	2
5	6233048	BASE-TURRET	2
6	3283031	CANISTER-LARGE CUP-7 COLUMN	1
7	6138181	WASHER PLATE	4
8	9900081	NUT #8-32 KEPS ZINC PLATE	4
9	6233077	BOLT-#1/4X20X2.38 HHS	3
10	6131066	WASHER 5/8X.265X.048 ZINC/YEL	8
11	3283004	SPACER-CANISTER-.438IDX.62ODX	2
12	6537026	ALUMINUM CAP RIVET-.187 DIA	6
13	3283002	BRACKET-CANISTER-CENTER	2
14	6263002	SPACER-.277ID X .375OD X 1.94	2
15	3283013	BRACKET-CANISTER-R & L	2
16	3283022	STRAP-CANISTER	1
17	1451097	SCREW-#8-32X.31 HEX HD.TF-BLK.	--

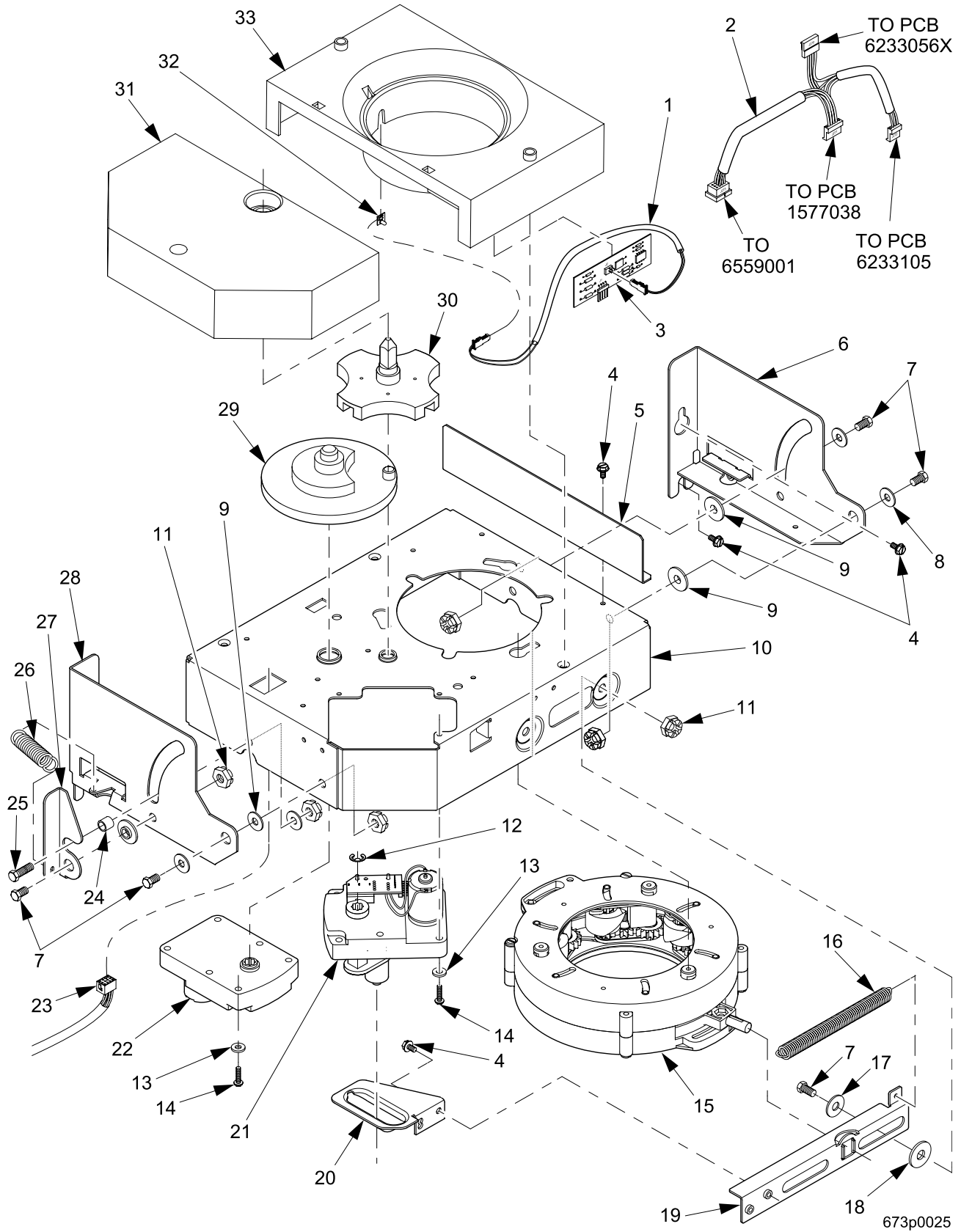
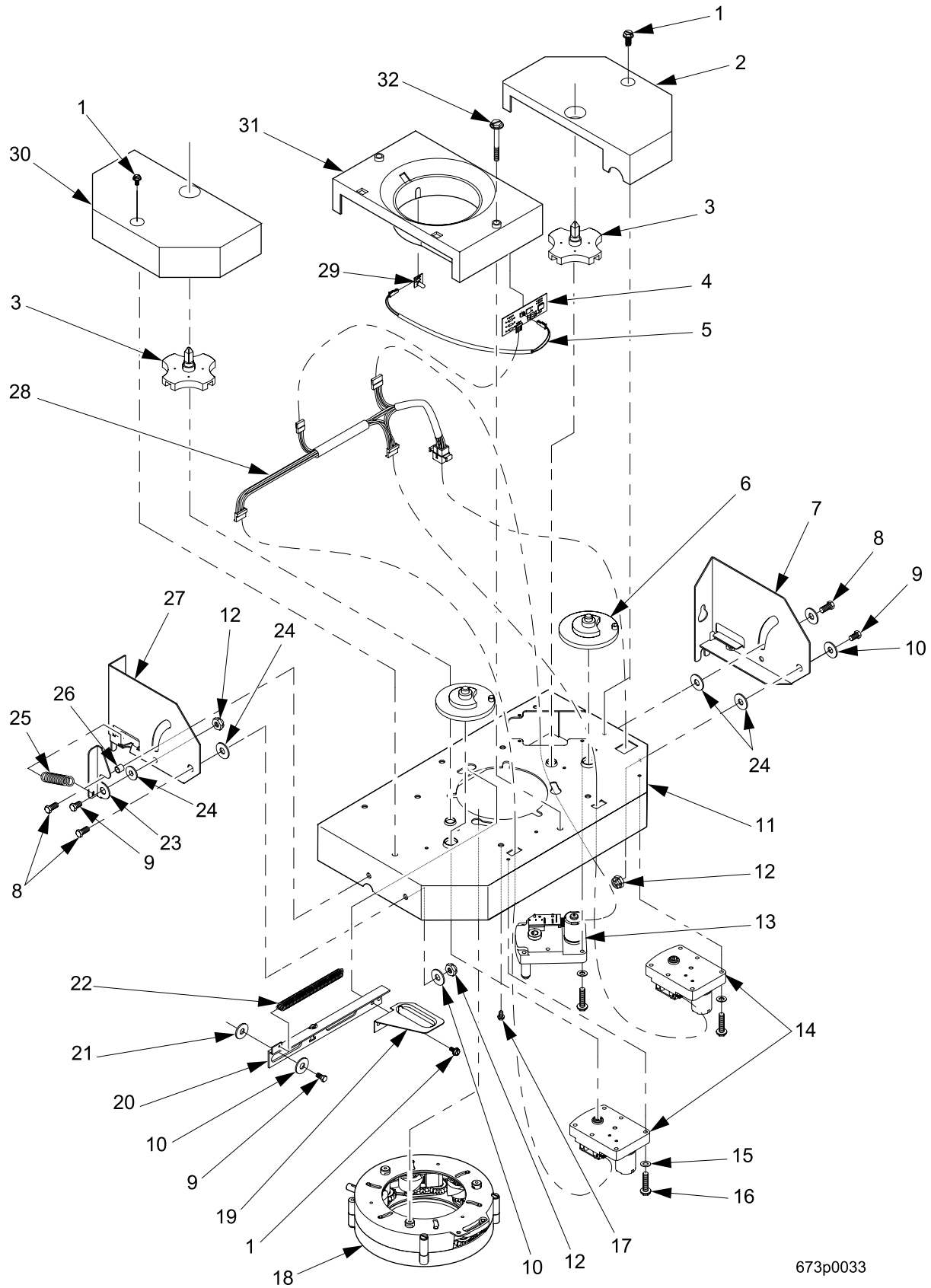


FIGURE 19 CUP MECHANISM ASSEMBLY - 4 COLUMN 12/20

TABLE 19 CUP MECHANISM ASSEMBLY - 4 COLUMN 12/20

INDEX	PART NUMBER	DESCRIPTION	QTY
1	6233106	HARN-CUP DETECT/LED JUMP	1
2	3639011	HARNESS-CUP MECH-TWIN	1
3	6233105	PCB ASSY-DETECTOR CUP SENSOR	1
4	1451097	SCREW-#8-32X.31 HEX HD.TF-BLK.	2
5	3633015	BRACKET-BASE COLUMN	1
6	6733003	BRACKET-MECH.MOUNTING-RIGHT	1
7	6233021	SCREW-1/4 X 20 X .5 HEX HD	5
8	6404034	WASHER-.687 O.D. X .265 I.D. X	3
9	6233028	BUSHING	4
10	6733001	BASE-CUP MECHANISM	1
11	4041241	NUT-1/4-20-SELF LOCKING	2
12	9900113	RETAINING RING-E TYPE-.218	1
13	9900121	WASHER STEEL 7/16 X.203 X.032	--
14	1457027	SCREW-#8-32 X .81 HEX HD.-T/F	2
15	6333008	CUP RING ASSY-UNIVERSAL	2
16	4733035	SPRING-CUP RELEASE ARM	1
17	6404034	WASHER-.687 O.D. X .265 I.D. X	3
18	9900034	WASHER STEEL 3/8 X.170 X.032	--
19	3283014	TURRET ASSY-1A	1
20	3283058	CAM-ACTUATOR	2
21	6233056	MOTOR & CRANK ARM ASSY	1
22	1577038	MOTOR & PC BOARD ASSEMBLY	1
23	6559001	HARNESS-DOOR TO DOOR PCB-DC	1
24	6233062	SPACER-.260IDX.34ODX.312	
25	1141054	SCREW-1/4-20 X 3/4 HEX HD ZP	--
26	2301057	SPRING ELEVATOR STOP	
27	6233037	LATCH	1
28	6733002	BRACKET-MECH.MOUNTING-LEFT	1
29	6233013	DRIVER-GENEVA	2
30	6233014	INDEX PLATE-GENEVA	2
31	6233010	COVER-END	2
32	6233107	PCB ASSY-LED-CUP SENSOR	1
33	6233012	COVER-CENTER	1

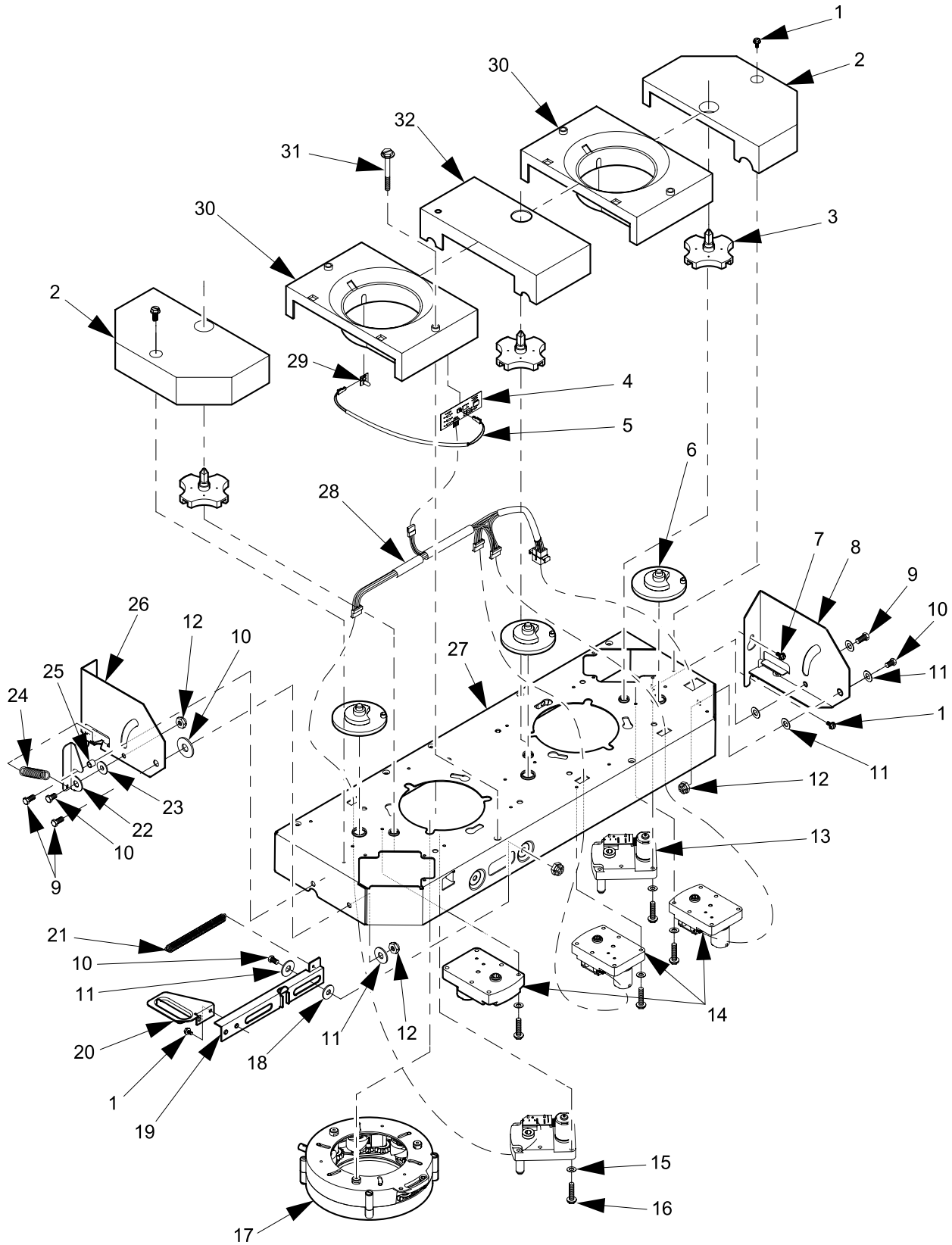


673p0033

FIGURE 20 CUP MECHANISM ASSEMBLY - 7 COLUMN 12/25

TABLE 20 CUP MECHANISM ASSEMBLY - 7 COLUMN 12/25

INDEX	PART NUMBER	DESCRIPTION	QTY
1	1451097	SCREW-#8-32X.31 HEX HD.TF-BLK.	--
2	6233010	COVER-END	2
3	6233014	INDEX PLATE-GENEVA	2
4	6233105	PCB ASSY-DETECTOR CUP SENSOR	1
5	6233106	HARN-CUP DETECT/LED JUMP	1
6	6233013	DRIVER-GENEVA	2
7	6233019	BRACKET-MECH.MOUNTING-LEFT	1
8	1141054	SCREW-1/4-20 X 3/4 HEX HD ZP	--
9	6233021	SCREW-1/4 X 20 X .5 HEX HD	5
10	6404034	WASHER-.687 O.D. X .265 I.D. X	3
11	6263003	PLATE-BASE-7 COLUMN	1
12	4041241	NUT-1/4-20-SELF LOCKING	2
13	6233056	MOTOR & CRANK ARM ASSY	1
14	1577038	MOTOR & PC BOARD ASSEMBLY	10
15	9900121	WASHER STEEL 7/16 X.203 X.032	--
16	1457027	SCREW-#8-32 X .81 HEX HD.-T/F	2
17	6233065	SCREW-#8-16X.38 PLAST.HHS	4
18	6333008	CUP RING ASSY-UNIVERSAL	2
19	3283058	CAM-ACTUATOR	2
20	6233032	ACTUATOR-CUP RING	1
21	9900034	WASHER STEEL 3/8 X.170 X.032	--
22	4733035	SPRING-CUP RELEASE ARM	1
23	6233037	LATCH	1
24	6233028	BUSHING	4
25	2301057	SPRING ELEVATOR STOP	1
26	6233062	SPACER-.260IDX.34ODX.312	1
27	6233018	BRACKET-MECH.MOUNTING-RIGHT	1
28	6269013	HARNESS-CUP MECHANISM	1
29	6233107	PCB ASSY-LED-CUP SENSOR	1
30	6233010	COVER-END	2
31	6233012	COVER-CENTER	1
32	6233077	BOLT-#1/4X20X2.38 HHS	3



653p0014

FIGURE 21 MECHANISM ASSEMBLY - 11 COLUMN

TABLE 21 MECHANISM ASSEMBLY - 11 COLUMN

INDEX	PART NUMBER	DESCRIPTION	QTY
-	6233101	MECHANISM ASSEMBLY - 11 COLUMN	REF
1	1451097	SCREW - #8-32X.31 HEX HD.TF-BLK.	12
2	6233010	COVER - END	2
3	6233014	INDEX PLATE - GENEVA	3
4	6233105	PCB ASSEMBLY - DETECTOR CUP SENSOR	2
5	6233106	HARNESS - CUP DETECTOR / LED JUMP	2
6	6233013	DRIVER - GENEVA	3
7	6233065	SCREW - #8 - 16X.38 PLAST.HHS	8
8	6233019	BRACKET MECHANISM MOUNTING - LEFT	1
9	1141054	SCREW - 1/4-20 X 3/4 HEX HD ZP	1
10	6233021	SCREW - 1/4 X 20 X .5 HEX HD	7
11	6404034	WASHER - .687 O.D. X .265 I.D.	5
12	4041241	NUT-1/4-20 - SELF LOCKING 1	1
13	6233056	MOTOR & CRANK ARM ASSY	2
14	1577038	MOTOR & PC BOARD ASSEMBLY	3
15	9900121	WASHER STEEL 7/16 X.203 X.032	2
16	1457027	SCREW-#8-32 X .81 HEX HD.-T/F	15
17	6333008	CUP RING ASSEMBLY - UNIVERSAL	2
18	9900034	WASHER STEEL 3/8 X.170 X.032	15
19	6233032	ACTUATOR - CUP RING	2
20	3283058	CAM - ACTUATOR	2
21	4733035	SPRING - CUP RELEASE ARM	2
22	6233037	LATCH	1
23	6233028	BUSHING	1
24	2301057	SPRING ELEVATOR STOP	1
25	6233062	SPACER - .260IDX.34ODX.312	1
26	6233018	BRACKET - MECHANISM MOUNTING - RIGHT	1
27	6233016	BASE PLATE - 11 COLUMN	1
28	6239048	HARNESS - CUP MECHANISM	1
29	6233107	PCB ASSEMBLY - LED - CUP SENSOR	2
30	6233012	COVER - CENTER	2
31	6233077	BOLT-#1/4X20X2.38 HHS	3
32	6233082	COVER - CENTER - MOTOR	1

TABLE 22 CUP RING ASSEMBLY

INDEX	PART NUMBER	DESCRIPTION	QTY
-	6333008	CUP RING ASSEMBLY - UNIVERSAL	-
1	3143011	NUT #8-32 SELF LOCKING	1
2	6332052	SCREW - #8-16 X 1.25 PHS - PLASTITE	4
3	6333004	HOUSING - CUP RING	1
4	6114121	WASHER ROLLER	1
5	6333011	ADJUSTER RING - INTERNAL	1
6	3143009	SCREW #8-32 X .50 PHS W/LW	1
7	6333007	CAM & GEAR ASSEMBLY	6
8	6333006	RETAINER - CAM	6
9	6333012	CAM - CUP - UNIVERSAL	6
10	6233126	GEAR - 18 TOOTH	6
11	6233127	GEAR - 10 TOOTH	6
12	6333005	ARM - CAM	6
13	6234628	WASHER - PAPER MECH.	6
14	6333010	GEAR RING - INTERNAL	1
15	6333009	HOUSING - CUP RING	1

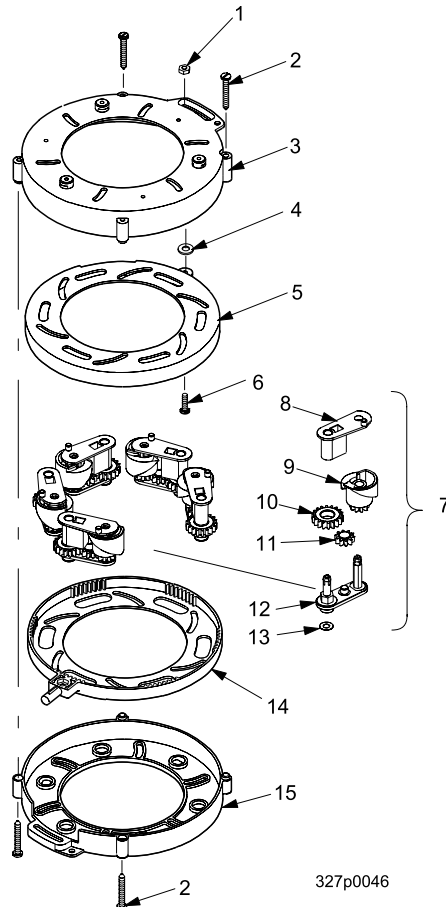


FIGURE 22 CUP RING ASSEMBLY

TABLE 23 ACTUATOR ASSEMBLY - CUP RING

INDEX	PART NUMBER	DESCRIPTION	QTY
--	6233031	ACTUATOR ASSEMBLY - CUP RING	REF
1	1451097	SCREW - #8-32 X .31 HEX HD T.F. - BLACK	2
2	6233040	RAMP - ACTUATOR	1
3	6233009	CAM - ACTUATOR	1
4	6233032	ACTUATOR - CUP RING	1

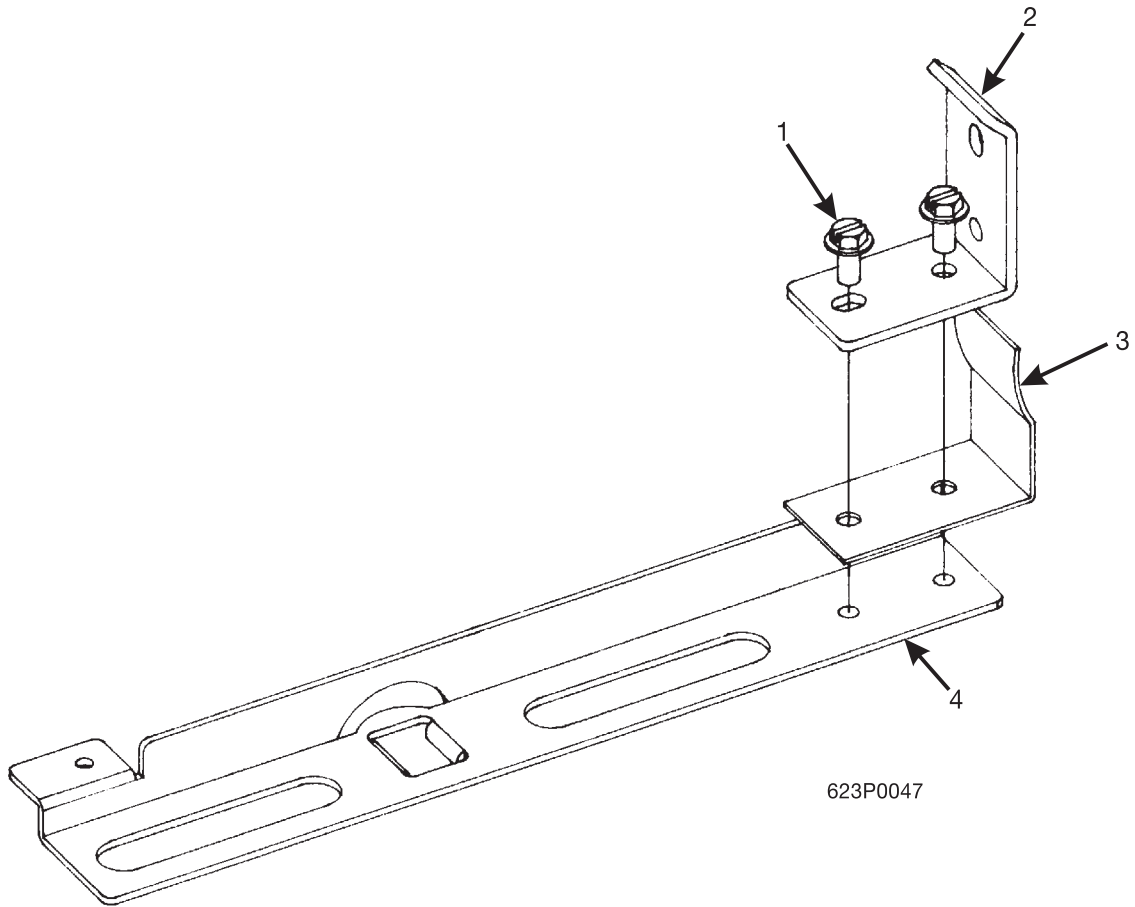


FIGURE 23 ACTUATOR ASSEMBLY - CUP RING

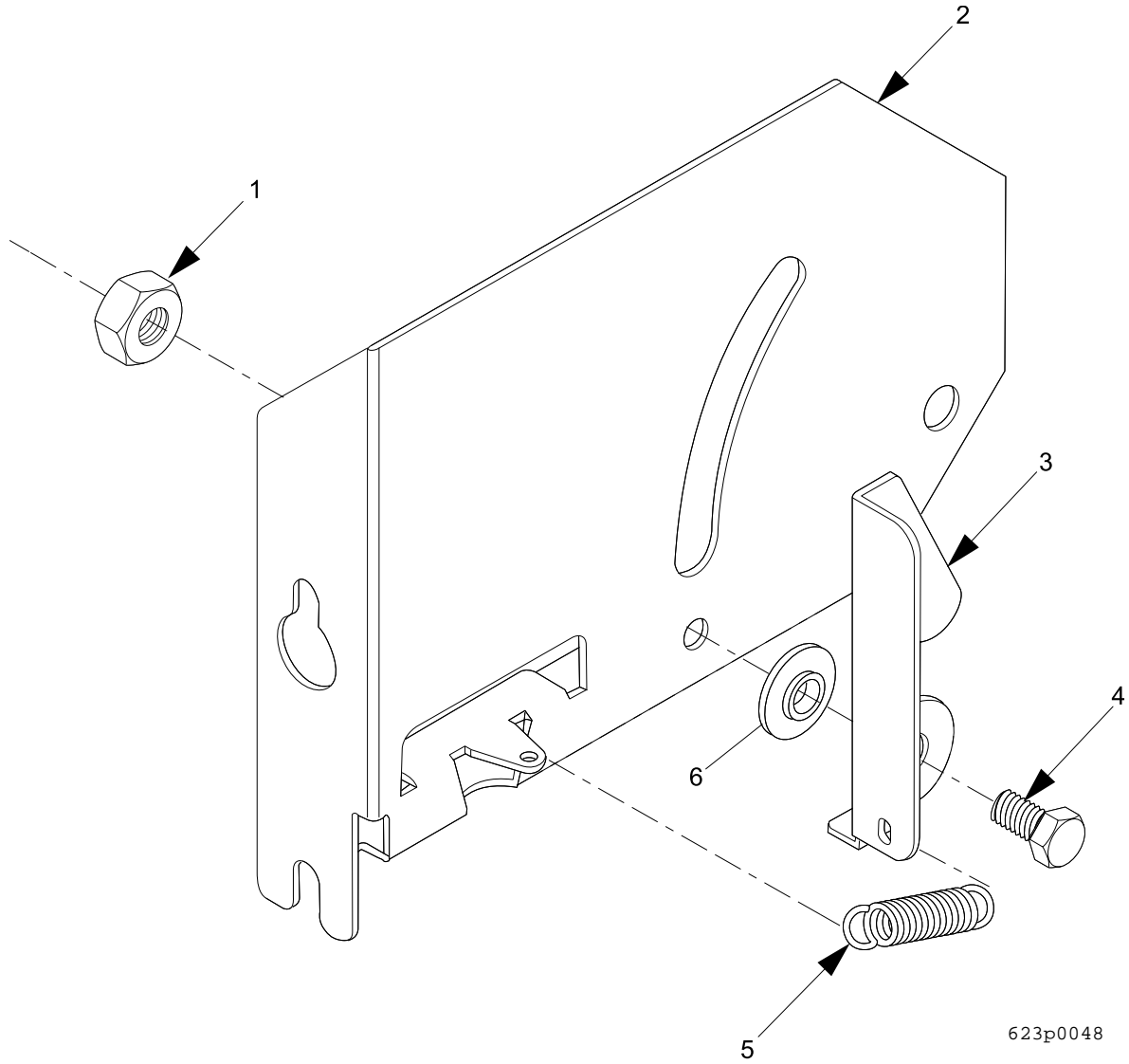
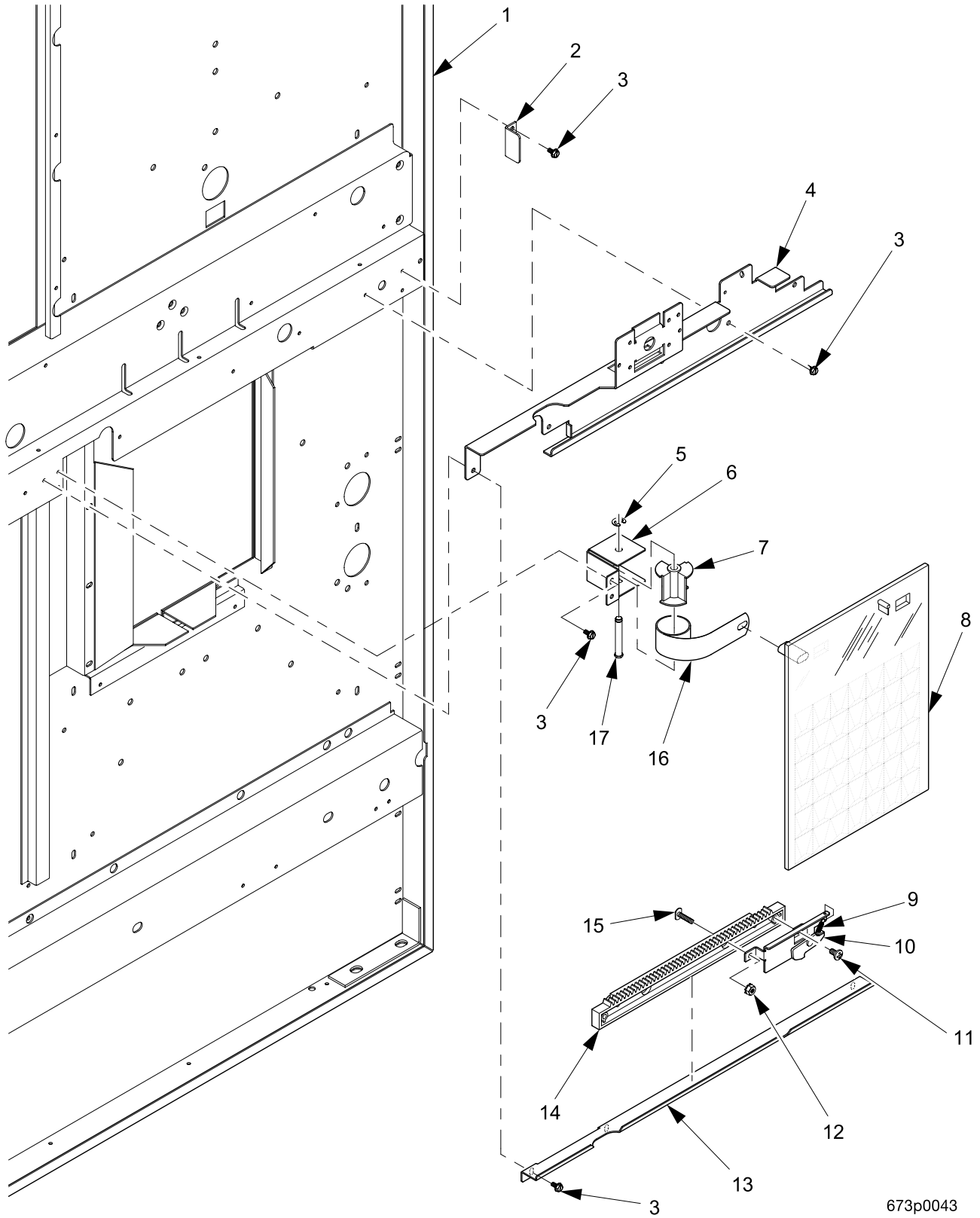


FIGURE 24 MOUNTING BRACKET ASSEMBLY - RIGHT

TABLE 24 MOUNTING BRACKET ASSEMBLY - RIGHT

INDEX	PART NUMBER	DESCRIPTION	QTY
-	6233057	MOUNTING BRACKET ASSEMBLY - RIGHT	REF
1	4041241	NUT - 1/4 20 SELF LOCKING	1
2	6233018	BRACKET - MECH MOUNTING - RIGHT	1
3	6233037	LATCH	1
4	6233021	SCREW -1 1/4 X 20 X .5 HEX HD	1
5	2301057	SPRING ELEVATOR STOP	1
6	6233028	BUSHING	1

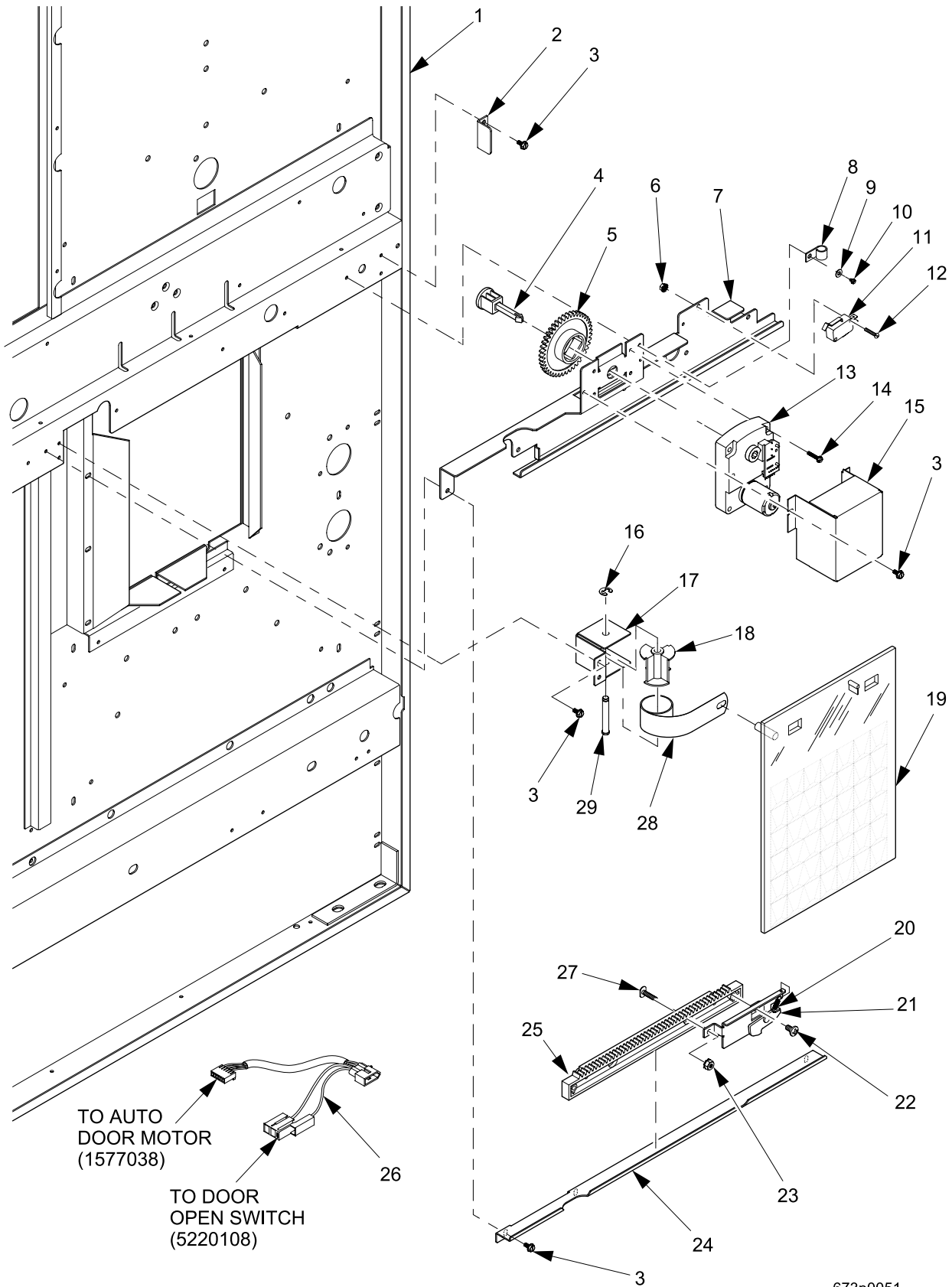


673p0043

FIGURE 25 MANUAL DOOR

TABLE 25 MANUAL DOOR

INDEX	PART NUMBER	DESCRIPTION	QTY
1	6732035	DOOR WELD ASSY.-PAINTED BLACK	1
2	6232096	STOP-DOOR VEND	1
3	1451097	SCREW-#8-32X.31 HEX HD.TF-BLK.	9
4	6732059	BRACKET-AUTO DOOR	1
5	9900425	RETAINING RING REINF E TYP.250	1
6	6232089	HOUSING-SPRING	1
7	6232084	SPOOL-SPRING	1
8	6232065	DOOR-VEND	1
9	3108141	SPRING-COVER-AIR GAP	1
10	6732063	COUPLING PLATE ASSEMBLY	1
11	6232317	SCREW-#10-14X.38 PH T/F	1
12	9900081	NUT #8-32 KEPS ZINC PLATE	1
13	6732060	TRACK-GEAR RACK	1
14	6234106	RACK-BREWER	1
15	2222031	TEE BOLT-TRIM	1
16	6232091	SPRING-VEND DOOR	1
17	6232085	SHAFT-SPOOL	1



673p0051

FIGURE 26 AUTO DOOR

TABLE 26 AUTO DOOR

INDEX	PART NUMBER	DESCRIPTION	QTY
1	6732035	DOOR WELD ASSY.-PAINTED BLACK	1
2	6232096	STOP-DOOR VEND	1
3	1451097	SCREW-#8-32X.31 HEX HD.TF-BLK.	12
4	1477113	COUPLING-SPIRAL	1
5	1477020	GEAR-TRAY	1
6	1217159	4-40 KEPS W/EXT L/WAS H ZP	2
7	6732059	BRACKET-AUTO DOOR	1
8	1452139	RETAINER-HARNESS	2
9	9900034	WASHER STEEL 3/8 X.170 X.032	1
10	9900157	SCREW #8-32X7/32 HWHD TY23	1
11	5220108	SWITCH	3
12	1217160	4-40X5/8 RHS M SCREW Z/Y	2
13	1577038	MOTOR & PC BOARD ASSEMBLY	10
14	1457027	SCREW-#8-32 X .81 HEX HD.-T/F	2
15	6232263	COVER-MOTOR-VEND DOOR	1
16	9900425	RETAINING RING REINF E TYP.250	1
17	6232089	HOUSING-SPRING	2
18	6232084	SPOOL-SPRING	1
19	6232065	DOOR-VEND	1
20	3108141	SPRING-COVER-AIR GAP	1
21	6732063	COUPLING-PLATE ASSEMBLY	1
22	6232317	SCREW-#10-14X.38 PH T/F	1
23	9900081	NUT #8-32 KEPS ZINC PLATE	1
24	6732060	TRACK-GEAR RACK	1
25	6234106	RACK-BREWER	1
26	6239026	HARNESS-AUTO DOOR	1
27	2222031	TEE BOLT-TRIM	1
28	6232091	SPRING-VEND DOOR	1
29	6232085	SHAFT-SPOOL	1

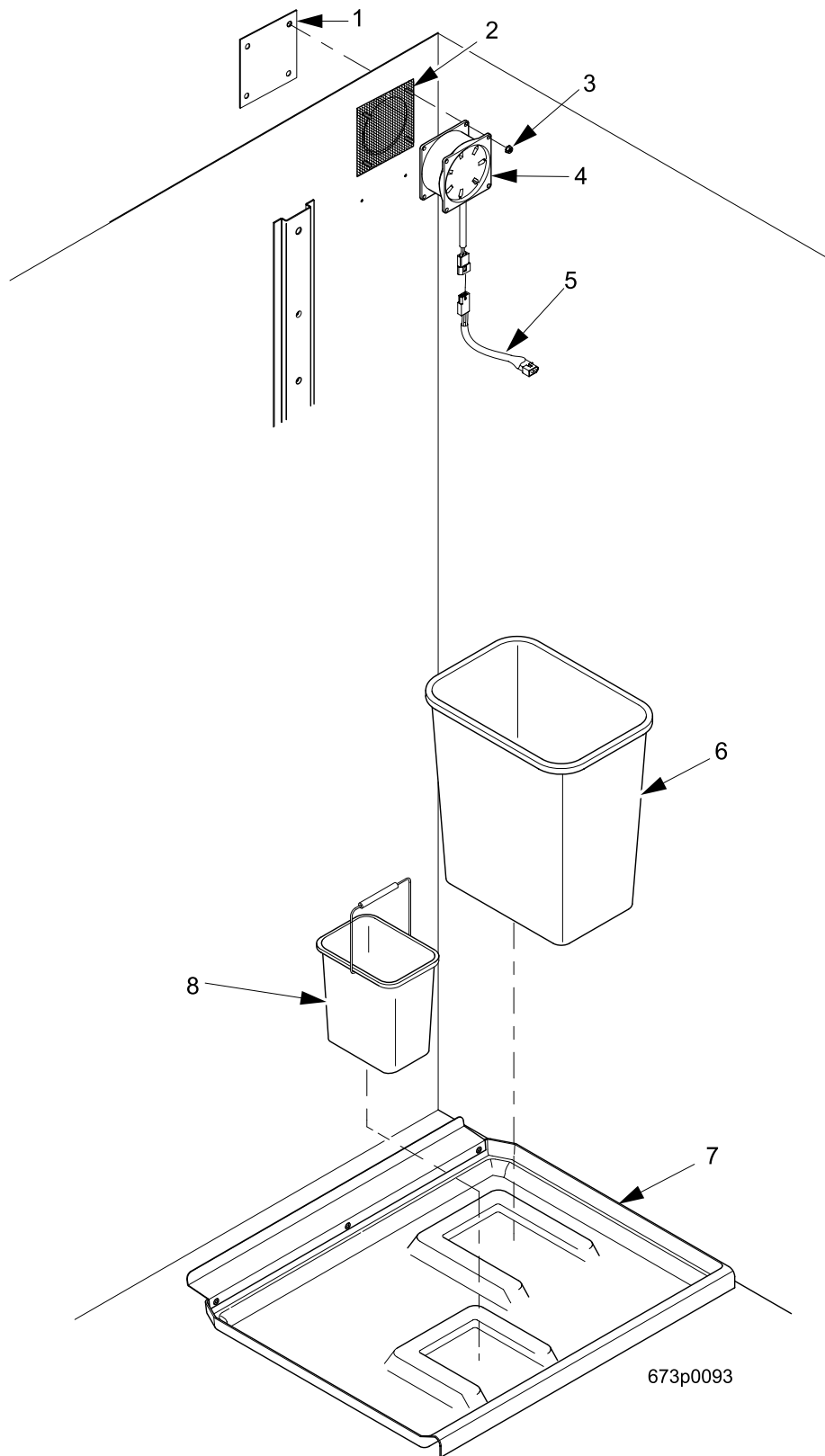


FIGURE 27 CABINET MISCELLANEOUS PARTS

TABLE 27 CABINET MISCELLANEOUS PARTS

INDEX	PART NUMBER	DESCRIPTION	QTY
1	6231529	COVER-EXHAUST FAN	--
2	6231528	SCREEN-EXHAUST FAN	1
3	9900078	NUT #6-32 KEPS ZINC PLATE	--
4	6231526	EXHAUST FAN	1
5	6339000	HARNESS-INTERLOCK TO EXHAUST FAN	1
6	6231475	BUCKET-GROUNDS	1
7	6731046	LINER ASSY-FLOOR	1
8	6201025	WASTE BUCKET	1

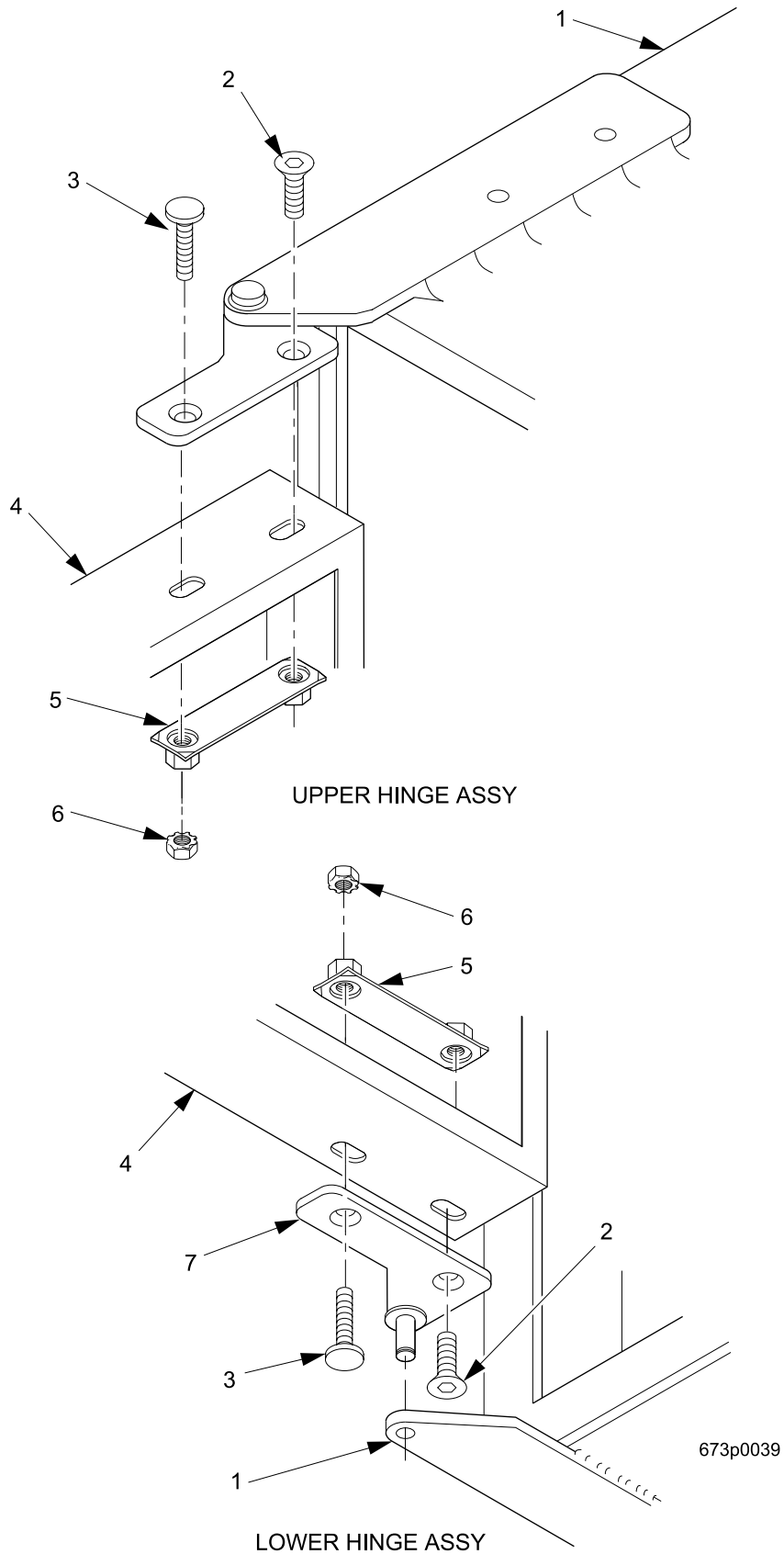


FIGURE 28 DOOR HINGE ASSEMBLY - UPPER AND LOWER

TABLE 28 DOOR HINGE ASSEMBLY - UPPER AND LOWER

INDEX	PART NUMBER	DESCRIPTION	QTY
1	6731037	CABINET ASSY-N.V.BLACK NOTE: (UPPER HINGE ASSEMBLY ONLY)	1
2	6232036	SCREW-5/16-18X.75 FLT.HDSOCKET	2
3	6232208	WELD SCREW-#1/4-20 X 1"LG	2
4	6732035	DOOR WELD ASSY.-PAINTED BLACK	1
5	6232028	PLATE ASSY-HINGE MTG	2
6	1211105	1/4-20 KEPS NUT EXT LW ZP	2
7	6232031	HINGE ASSY-DOOR-LOWER NOTE: (LOWER HINGE ASSEMBLY ONLY)	1

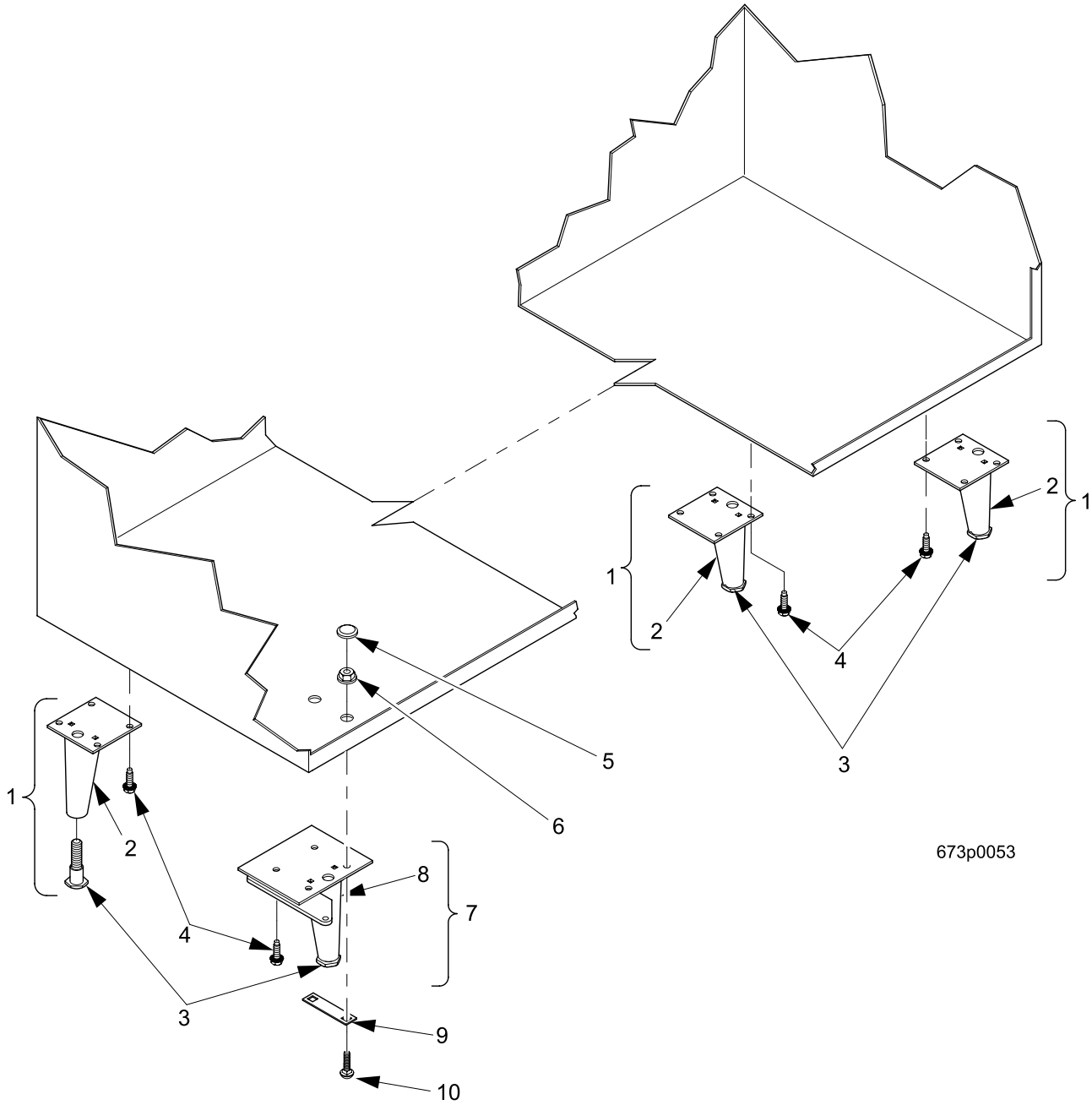
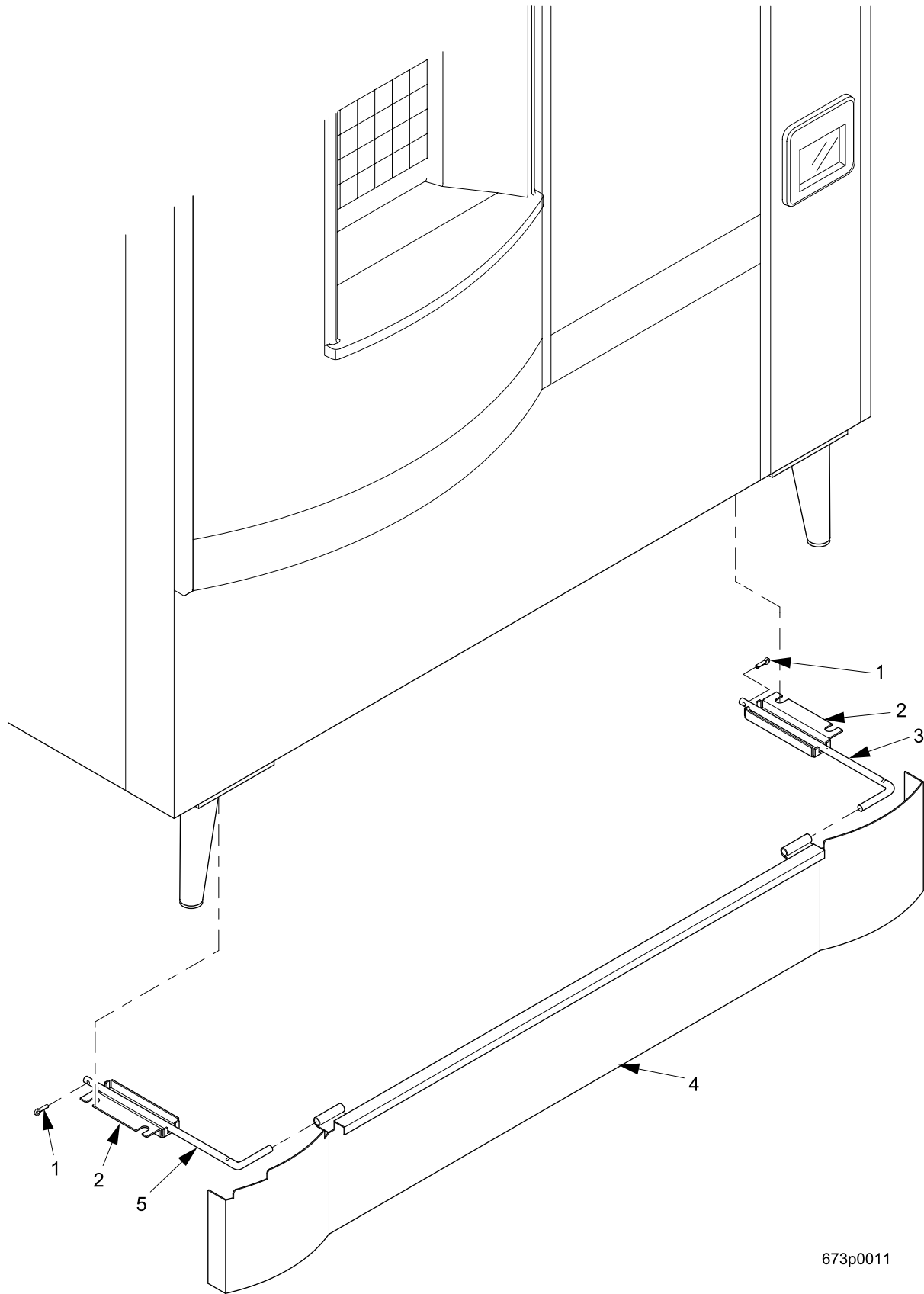


FIGURE 29 LEG ASSEMBLY

TABLE 29 LEG ASSEMBLY

INDEX	PART NUMBER	DESCRIPTION	QTY
1	1471237	LEG & LEVELER ASSY-CABINET	3
2	4311068	LEG ASSY-CABINET-WELD	1
3	1471098	LEVELER-CABINET	1
4	9900218	SCREW-#5/16 X 1 W/LOCKING RIN	--
5	6231034	PLUG-HOLE	2
6	1172021	NUT-1/4-20 WHIZ-LOCK	--
7	6231163	LEG,HINGE & LEVELER ASSY	1
8	1571115	LEG & HINGE ASSY-WELD	1
9	6231203	PLATE-HINGE LEG BOLT	1
10	1211112	TRAY BOLT	2

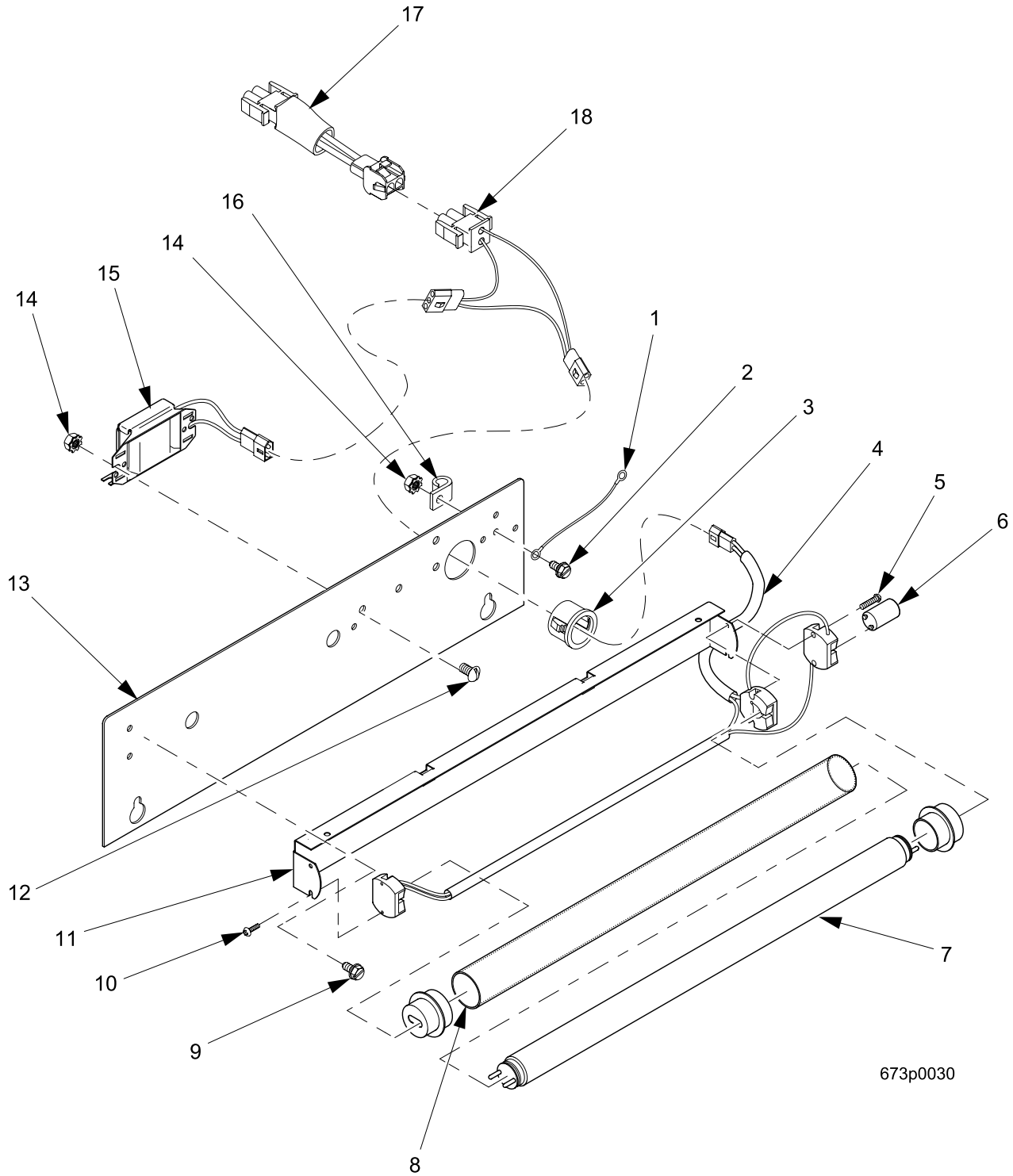


673p0011

FIGURE 30 BASE PLATE AND ASSEMBLY - (MILLENNIA)

TABLE 30 BASE PLATE AND ASSEMBLY - (MILLENNIA)

INDEX	PART NUMBER	DESCRIPTION	QTY
1	9900098	COTTER PIN 3/32 X 3/4 IN	--
2	6231087	BRACKET-BASE PLAT	2
3	1411194	SLIDE-BASE PLATE-R.H.	1
4	1571161	BASE PLATE ASSY-38"-MILLENNIA	1
5	1411195	SLIDE-BASE PLATE-L.H.	1

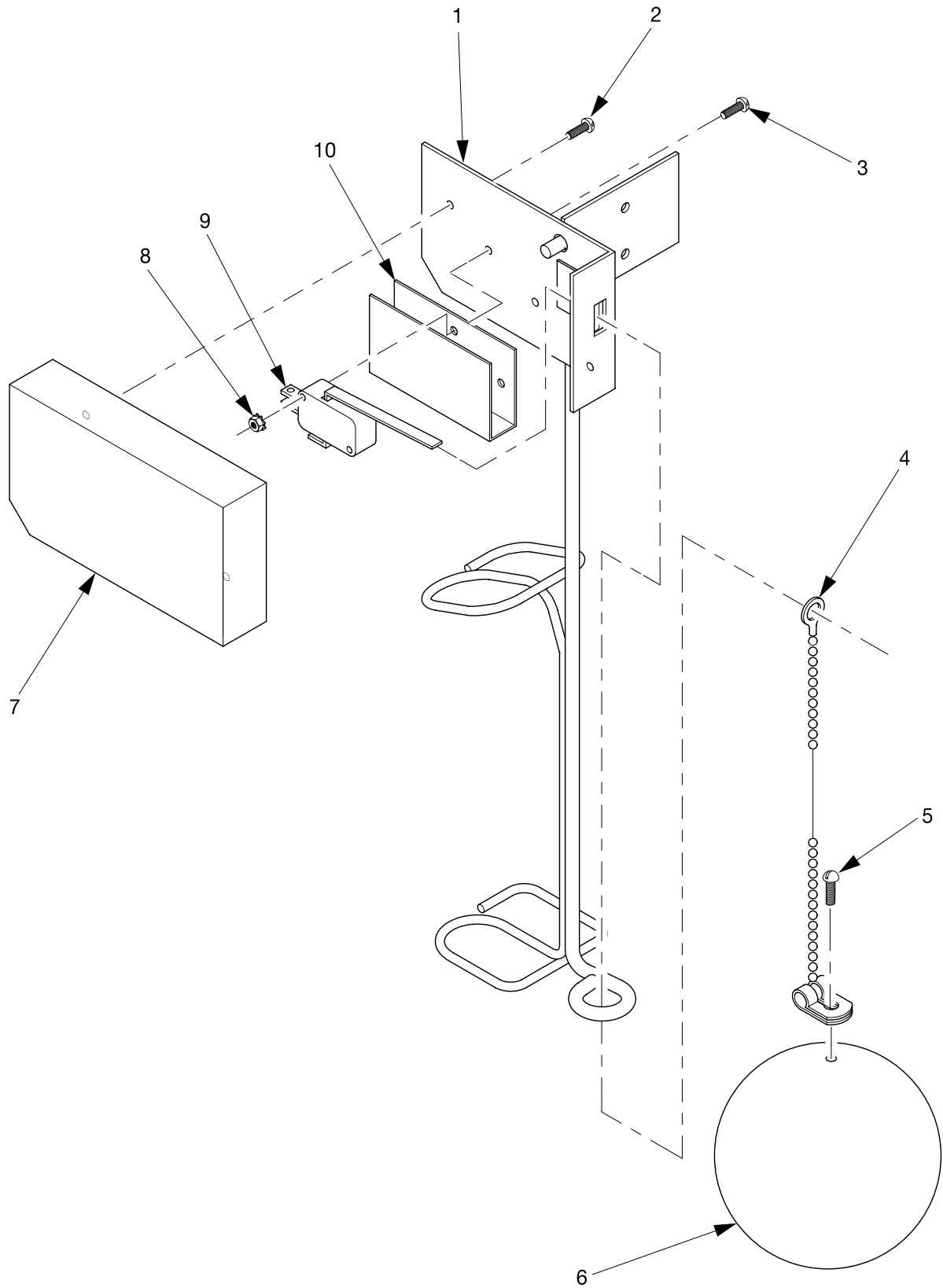


673p0030

FIGURE 31 CABINET SERVICE - LIGHT BRACKET ASSEMBLY

TABLE 31 CABINET SERVICE - LIGHT BRACKET ASSEMBLY

INDEX	PART NUMBER	DESCRIPTION	QTY
1	9984094	WIRE-GROUND-14"	1
2	3157060	SCREW-#8-32 X .31 HEX W/ HD. S	3
3	3106154	BUSHING #SB875-11	1
4	2346016	HARNESS-FLUORESCENT LIGHT	1
5	3107171	SCREW-#4-36 X 5/8 RHS	2
6	2222095	STARTER FS-2,FLUORSCNT LAMP KB	1
7	2222096	FLUORESCENT LAMP #F15T8CW, KB	1
8	6232305	SAFETY SLEEVE & END CAP ASSY.	1
9	3157068	SCREW-#8-32 X.31 HXHD T/F 3/8W	1
10	9900219	SCREW-#4-36 X .437 RH PHILLIPS	--
11	2272036	BRACKET LOWER LIGHT	1
12	1170206	SCREW-#8-32X3/8 PHILLIPS TRUSS	--
13	6231559	BRACKET-SERVICE LIGHT	1
14	9900081	NUT #8-32 KEPS ZINC PLATE	--
15	3151058	BALLAST ASSY-14/20 WATT	1
16	1452139	RETAINER-HARNESS	1
17	1679005	FLST.LIGHT FILTER-120/230V	1
18	3156032	JUMPER-FILTER AND FLUOR.LIGHT	1



630p0041

FIGURE 32 OVERFLOW SWITCH ASSEMBLY

TABLE 32 OVERFLOW SWITCH ASSEMBLY

INDEX	PART NUMBER	DESCRIPTION	QTY
1	6231507	BRACKET ASSY-OVERFLOW SW.	1
2	9900012	SCREW #6-32 X 1/4 RHS S/T	--
3	1217160	4-40X5/8 RHS M SCREW Z/Y	--
4	6151131	CHAIN-OVERFLOW SWITCH	1
5	4047054	SCREW-#8-18X1/2 RHS T/	--
6	3116127	FLOAT-OVERFLOW SWITCH	1
7	6231135	COVER-OVERFLOW SWITCH	1
8	1217159	4-40 KEPS W/EXT L/WAS H ZP	--
9	2304108	SWITCH LEVER V3L-131-D8 (OBS)	1
10	3121150	INSULATION-OVERFLOW SWITCH	1

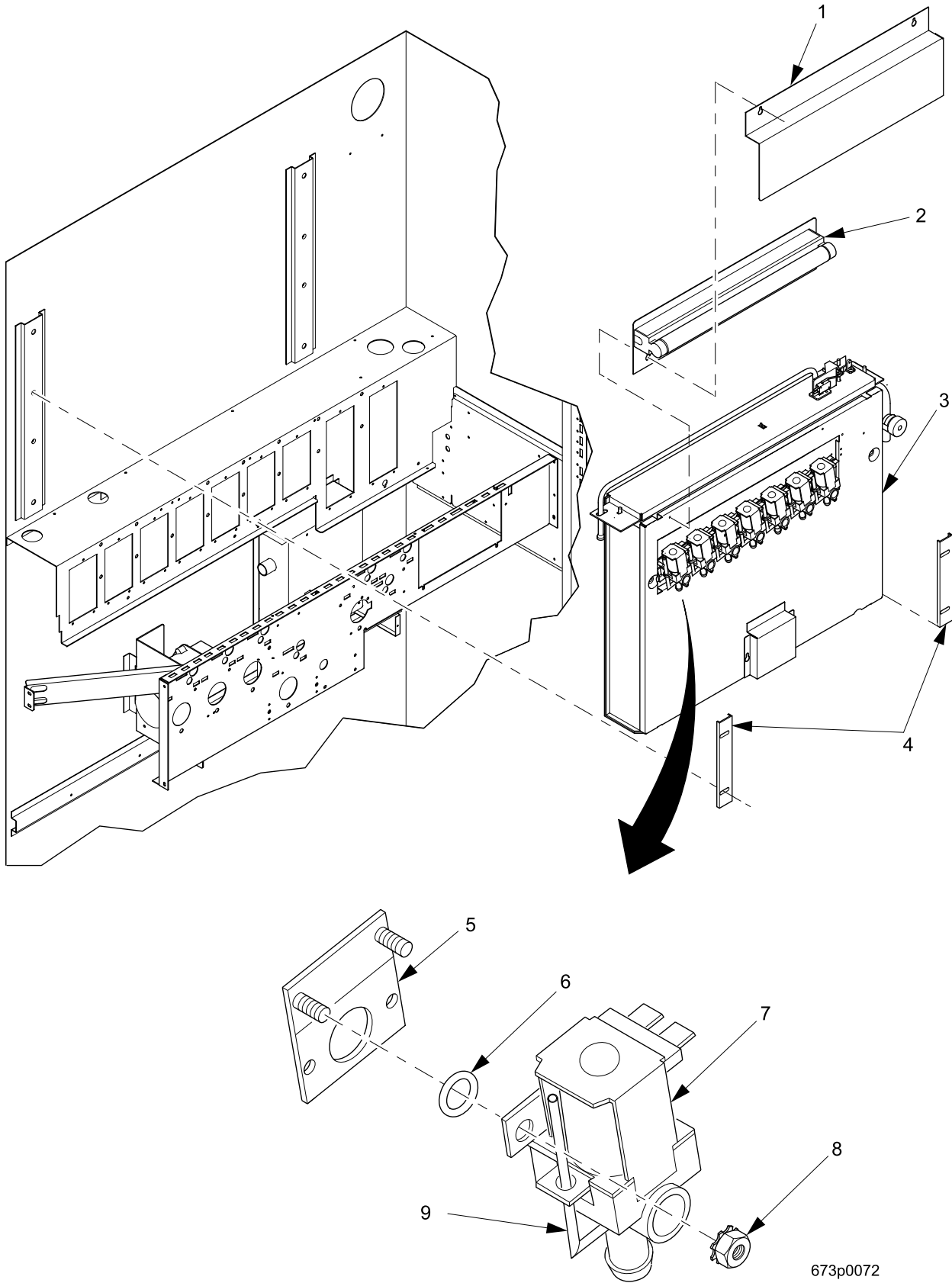
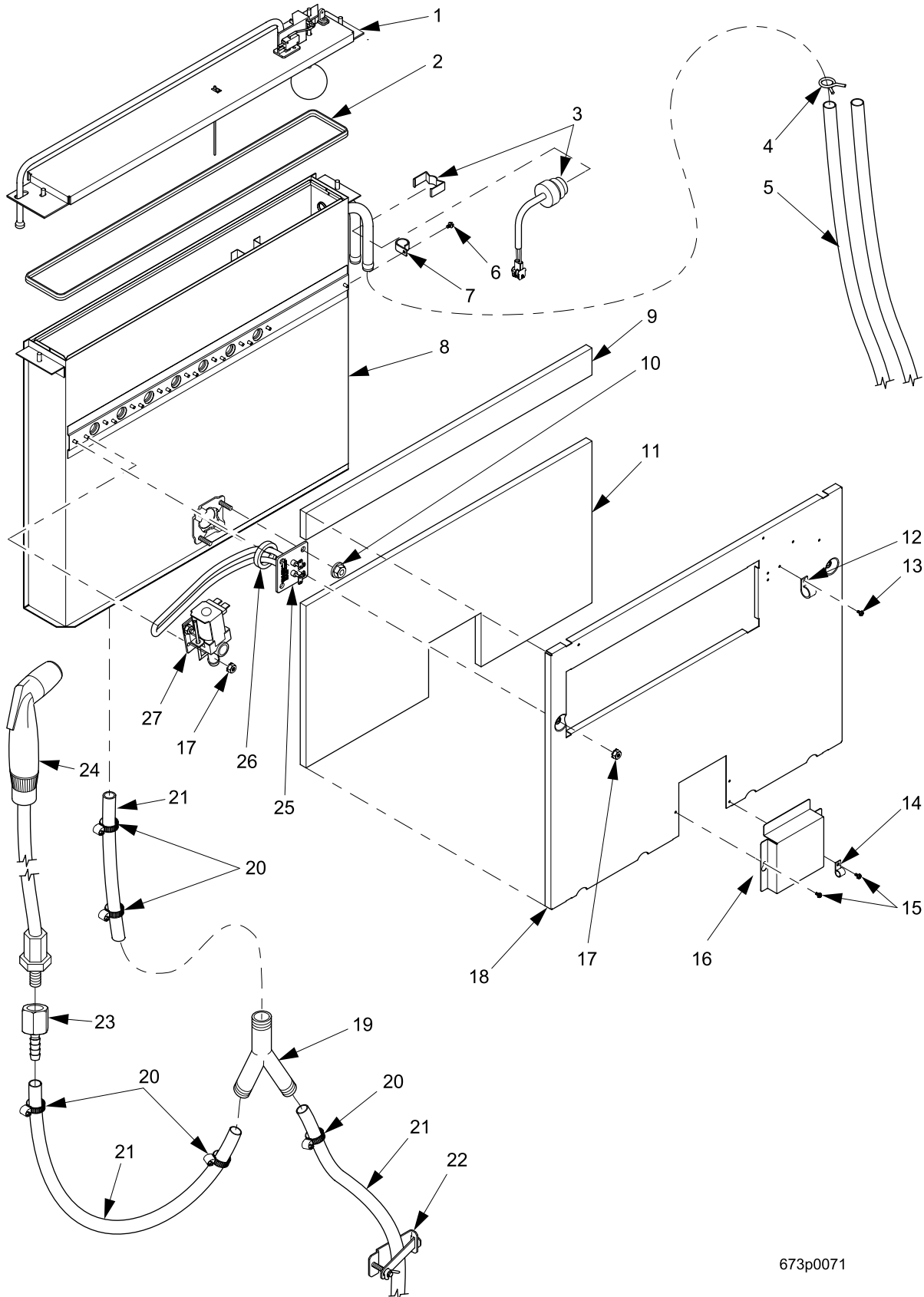


FIGURE 33 HOT WATER VALVE ASSEMBLY - 115V

TABLE 33 HOT WATER VALVE ASSEMBLY - 115V

INDEX	PART NUMBER	DESCRIPTION	QTY
1	6338058	COVER-HOT WATER VALVES	1
2	6231372	SERVICE LT./BRKT.ASSY-DOM (SEE FIGURE 31)	1
3	6738005	WATER TANK ASSY-BASIC-DOM	1
4	6231036	CLAMP-WATER TANK	2
5	6238113	VALVE MTG.PLATE & STUD ASSY	1
6	6238074	"O"RING-.48 I.D.X .10	1
7	6338053	VALVE-HWT-120V-K56778-53	1
8	9900081	NUT #8-32 KEPS ZINC PLATE	--
9	6338054	VENT-ELBOW-SIEBE K72876	1



673p0071

FIGURE 34 WATER TANK ASSEMBLY

TABLE 34 WATER TANK ASSEMBLY

INDEX	PART NUMBER	DESCRIPTION	QTY
--	6738005	WATER TANK ASSY-BASIC-DOM	--
1	6338046	LID ASSEMBLY-FINAL-H.W.T.	--
2	6538000	GASKET-VULCANIZED-H.W.T.	1
3	6739015	SAFETYSTAT ASSEMBLY-5/8	1
4	3118035	CLAMP-HOSE 1/0 CORBIN A 13	2
5	6238090	IN TUBING-13/16 OD X 5/8 ID BLK	128"
6	1451097	SCREW-#8-32X.31 HEX HD.TF-BLK.	--
7	6231035	HARNESS CLIP-.750	3
8	6558009	WELD ASSY-WATER TANK	1
9	6238137	INSUL-TOP-HOT WATER TANK	1
10	1172021	NUT-1/4-20 WHIZ-LOCK	--
11	6238136	INSUL-BOT-HOT WATER TANK	1
12	4751060	RETAINER-HARNESS	--
13	1451097	SCREW-#8-32X.31 HEX HD.TF-BLK.	--
14	1452139	RETAINER-HARNESS	2
15	1451097	SCREW-#8-32X.31 HEX HD.TF-BLK.	--
16	6238104	COVER-HEATER-WATER TANK	1
17	9900081	NUT #8-32 KEPS ZINC PLATE	--
18	6238075	COVER-FRONT-WATER TANK	1
19	6158007	Y CONNECTOR-1/2 OD X 3/8 ID	1
20	6158063	CLAMP HOSE	2
21	6338021	TUBING-SILICONE-.375IDX.562OD	2
22	6408154	PINCH CLAMP ASSEMBLY	1
23	6338059	FITTING-PARKER #126HBL-6-2	1
24	6338060	SPRAY HOSE-48"	1
25	6738004	HEATER-1750W-120V	1
26	6508006	GASKET HEATER	1
27	6238112	VALVE ASSY-H.W.T.-115 (SEE FIGURE 33)	--

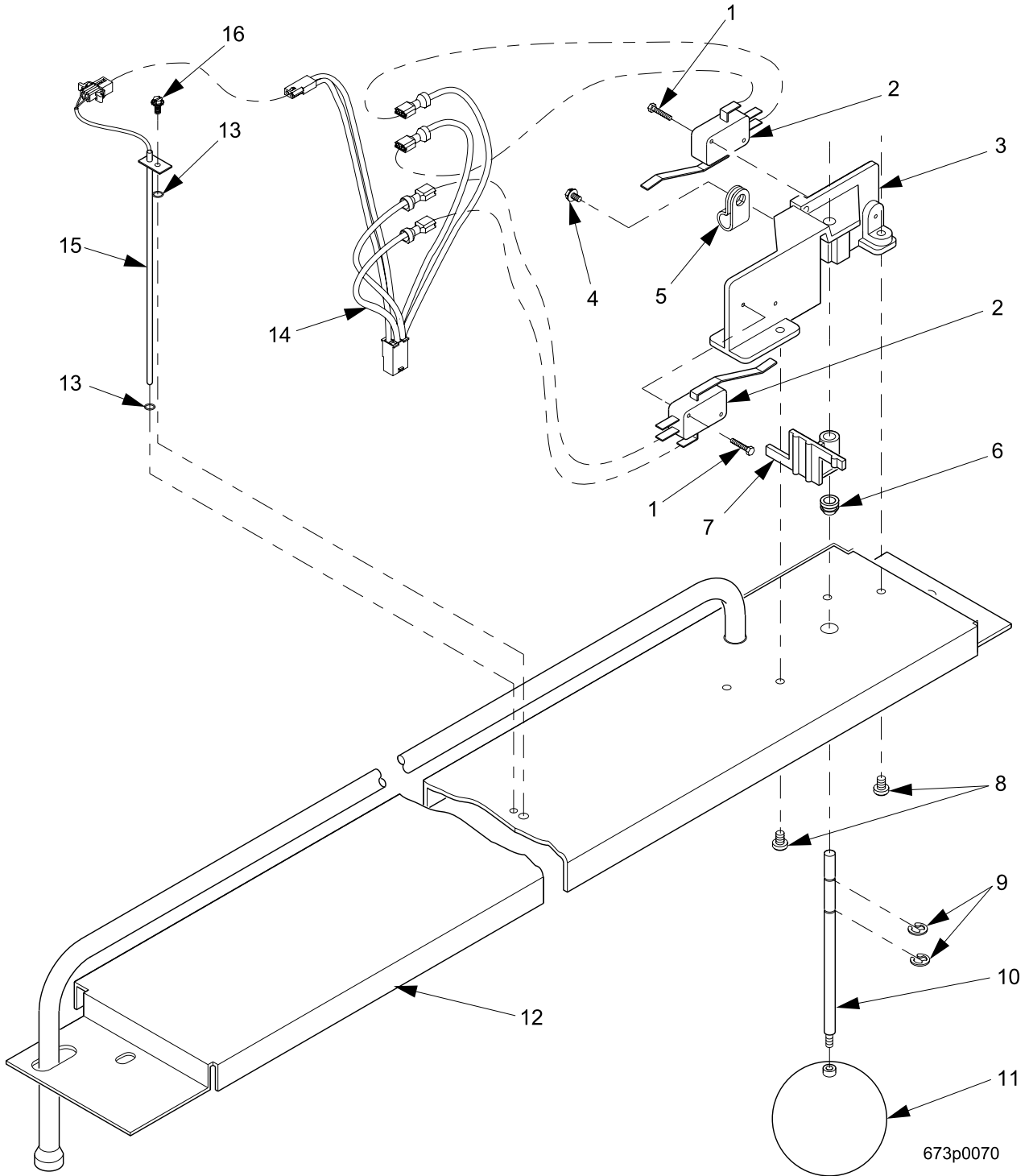


FIGURE 35 WATER TANK - LID ASSEMBLY

TABLE 35 WATER TANK - LID ASSEMBLY

INDEX	PART NUMBER	DESCRIPTION	QTY
1	6238070	SCREW-#4-17X.62 HEX HD	2
2	6238084	SWITCH-LEVER-10 GRAM	2
3	6238068	BRACKET-MOUNTING-SWITCH	1
4	1451097	SCREW-#8-32X.31 HEX HD.TF-BLK.	--
5	1211161	CABLE CLAMP-RICHCO#N4	1
6	6338050	BEARING-LID-HOT WATER TANK	1
7	6138183	ACTUATOR SWITCH	1
8	6237049	SCREW-#8-16X.25-SLTD-PHS	3
9	6124073	RETAINING RING REINF E TYP.156	--
10	6338049	SHAFT-FLOAT	1
11	6508033	FLOAT WATER TANK	1
12	6338047	WELD ASSY-COVER-LG.INLET-W.T.	1
13	6138287	O RING	2
14	6339021	HARNESS-FLOAT SWITCHES	1
15	6338051	SENSOR-TEMPERATURE-H.W.T.	1
16	6234295	SCREW-#8-32X.38 HHS W/LW	2

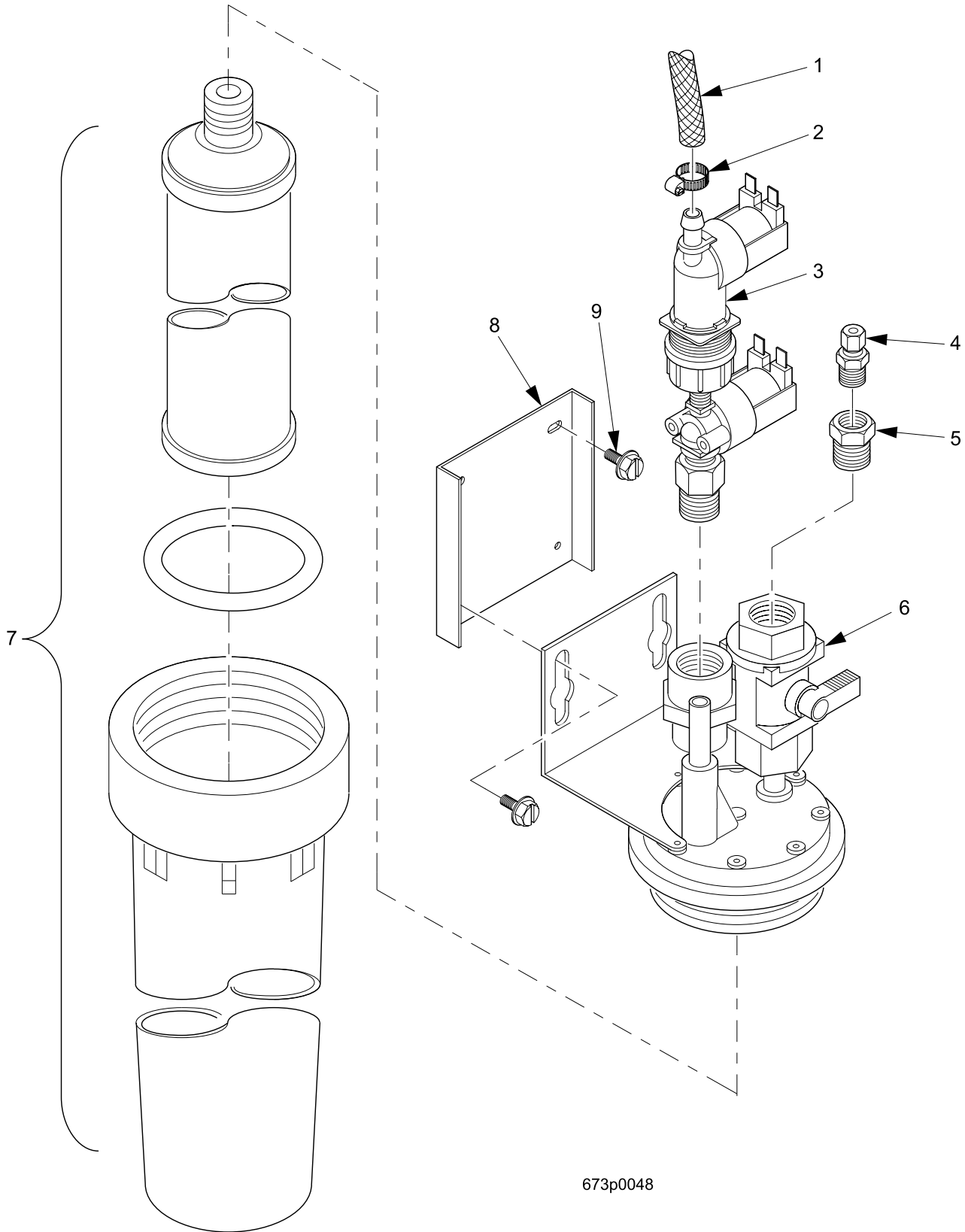
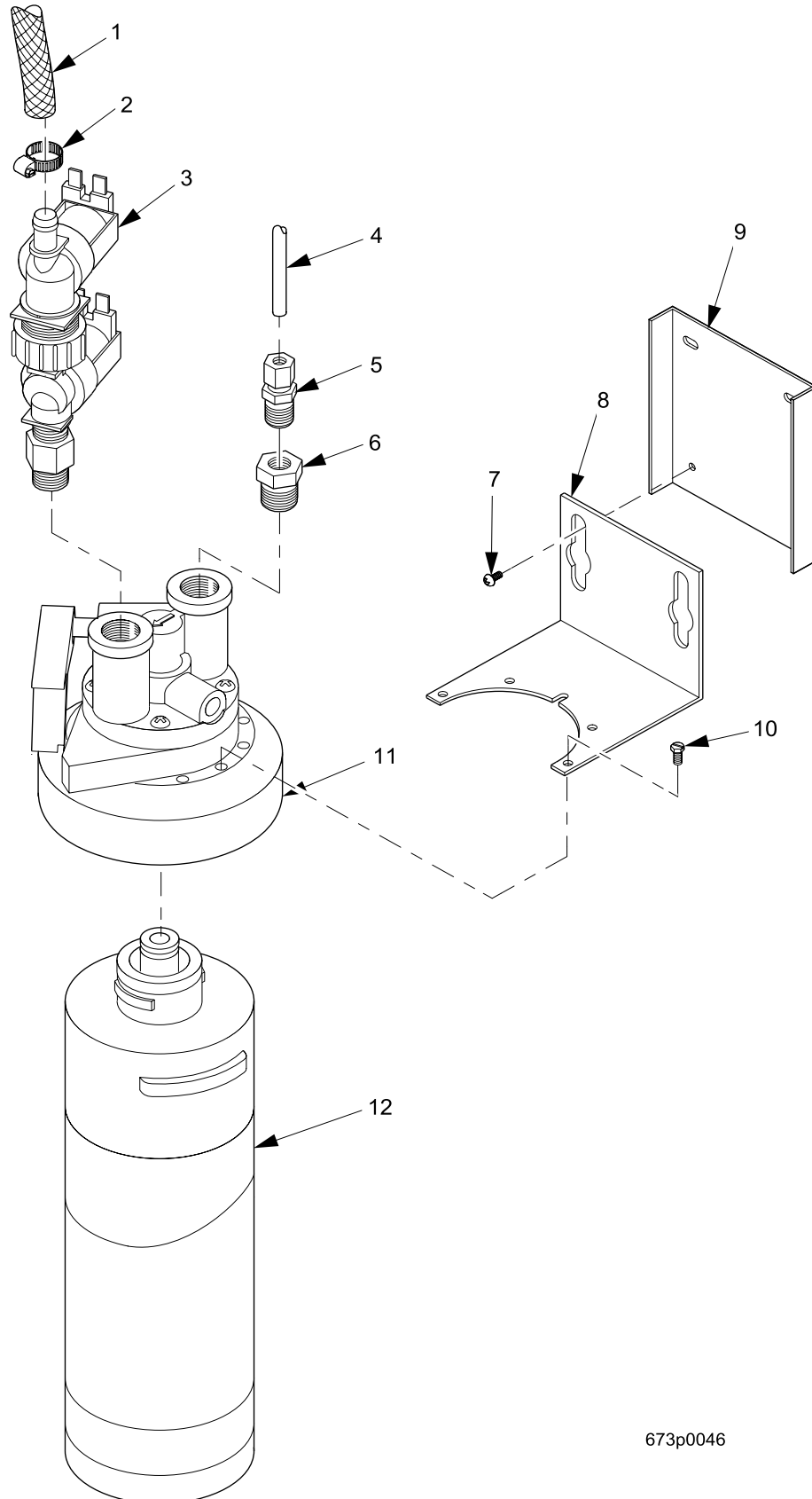


FIGURE 36 FILTER AND HEAD ASSEMBLY - HYDRO LIFE 115V

TABLE 36 FILTER AND HEAD ASSEMBLY - HYDRO LIFE 115V

INDEX	PART NUMBER	DESCRIPTION	QTY
1	6238166	TUBE-LONG INLET-WATER TANK LID	1
2	3154059	CLAMP-STAINLESS STEEL	2
3	3158061	VALVE ASSY-WATER INLET-U.K.	1
4	6408119	MALE CONCTOR-BRASS #4-4-FBI2-B	3
5	6408117	BUSHING-1/4X3/8-BRASS-209P-6-4	1
6	6338027	HEAD-BRKT ASSY-HLV192-G6710	1
7	6408028	HOUSING,CRTRGE,"O"RING-HLV192H	1
8	6231142	PLATE-WATER FILTER	1
9	1451097	SCREW-#8-32X.31 HEX HD.TF-BLK.	4

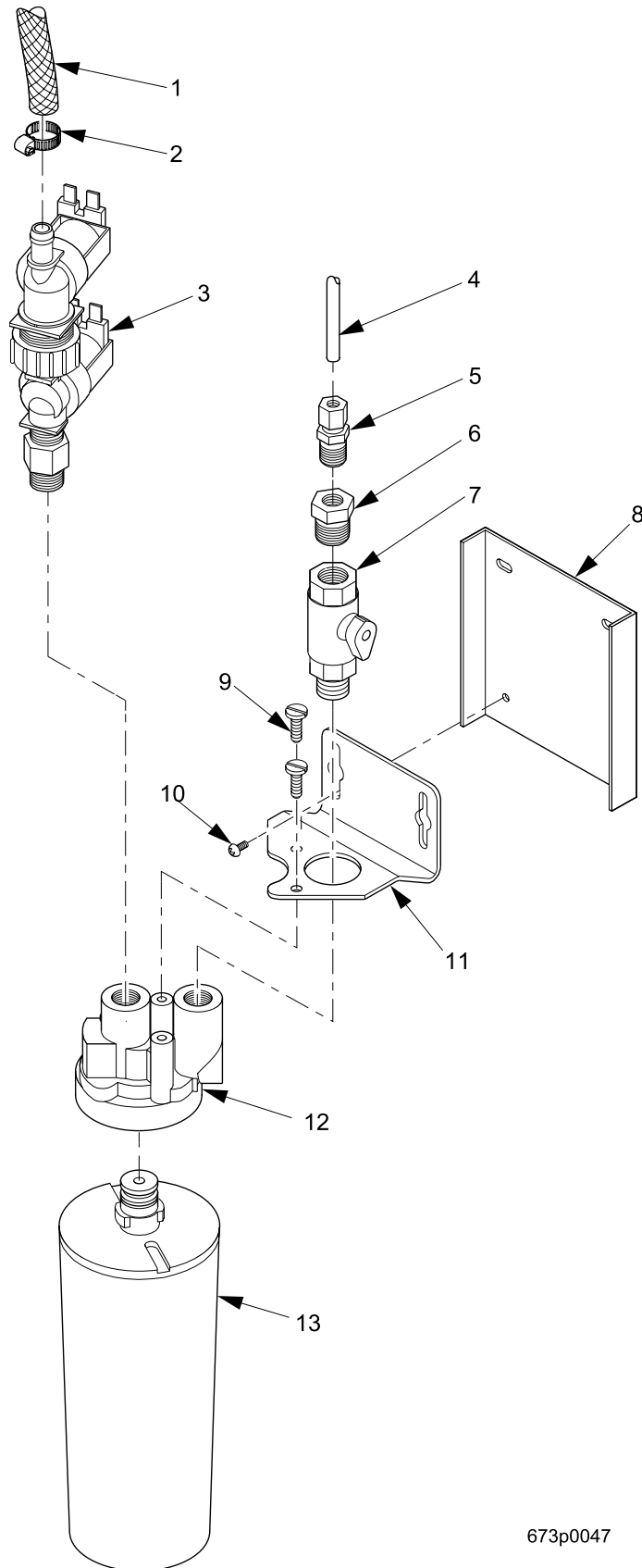


673p0046

FIGURE 37 FILTER HEAD ASSEMBLY - EVERPURE 115V

TABLE 37 FILTER HEAD ASSEMBLY - EVERPURE 115V

INDEX	PART NUMBER	DESCRIPTION	QTY
1	6238166	TUBE-LONG INLET-WATER TANK LID	1
2	3154059	CLAMP-STAINLESS STEEL	2
3	3158061	VALVE ASSY-WATER INLET-U.K.	1
4	6338016	TUBING-INLET-W/FILTER OPT	1
5	6408119	MALE CONCTOR-BRASS #4-4-FBI2-B	3
6	6408117	BUSHING-1/4X3/8-BRASS-209P-6-4	1
7	1451097	SCREW-#8-32X.31 HEX HD.TF-BLK.	2
8	3158023	BRACKT-MNTNG-WTR FILTR#3046-44	1
9	6231142	PLATE-WATER FILTER	1
10	9900205	SCREW #10-32 X 3/8 HEX HD	--
11	6408134	FILTER HEAD-EVERPURE #9257-12	1
12	6118071	CARTRIDG-WATR-FILTR-9611-00-4H	1



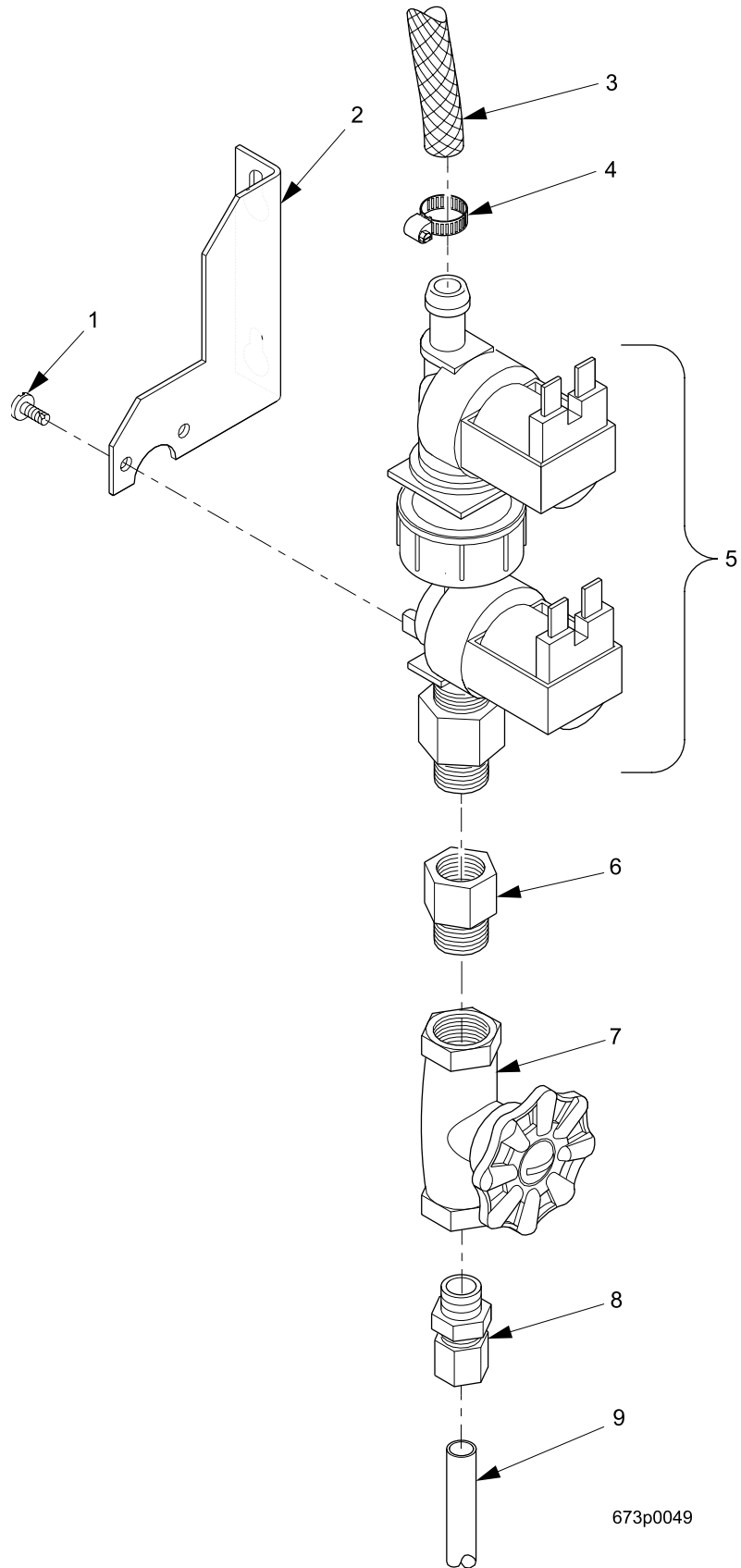
673p0047

FIGURE 38 FILTER HEAD ASSEMBLY - CUNO 115V

TABLE 38 FILTER HEAD ASSEMBLY - CUNO 115V

INDEX	PART NUMBER	DESCRIPTION	QTY
1	6238166	TUBE-LONG INLET-WATER TANK LID	1
2	3154059	CLAMP-STAINLESS STEEL	2
3	3158061	VALVE ASSY-WATER INLET-U.K.	1
4	6338016	TUBING-INLET-W/FILTER OPT	1
5	6408119	MALE CONCTOR-BRASS #4-4-FBI2-B	3
6	6408117	BUSHING-1/4X3/8-BRASS-209P-6-4	1
7	6408113	BALL VALVE-3/8"-TTC	1
8	6231142	PLATE-WATER FILTER	1
9	7207027	SCREW #10-16 X 5/8 PHS	2
10	1451097	SCREW-#8-32X.31 HEX HD.TF-BLK.	2
11	6408115	BRCKT-CUNO WTR FLTRHD#69682-31	1
12	6408114	FILTER HEAD-CUNO #68375-01	1
13	6338015	WATER FILTER-CUNO-HOT-12/CS	1

Note: Water Valve is Not Shown, (SEE FIGURE 39)

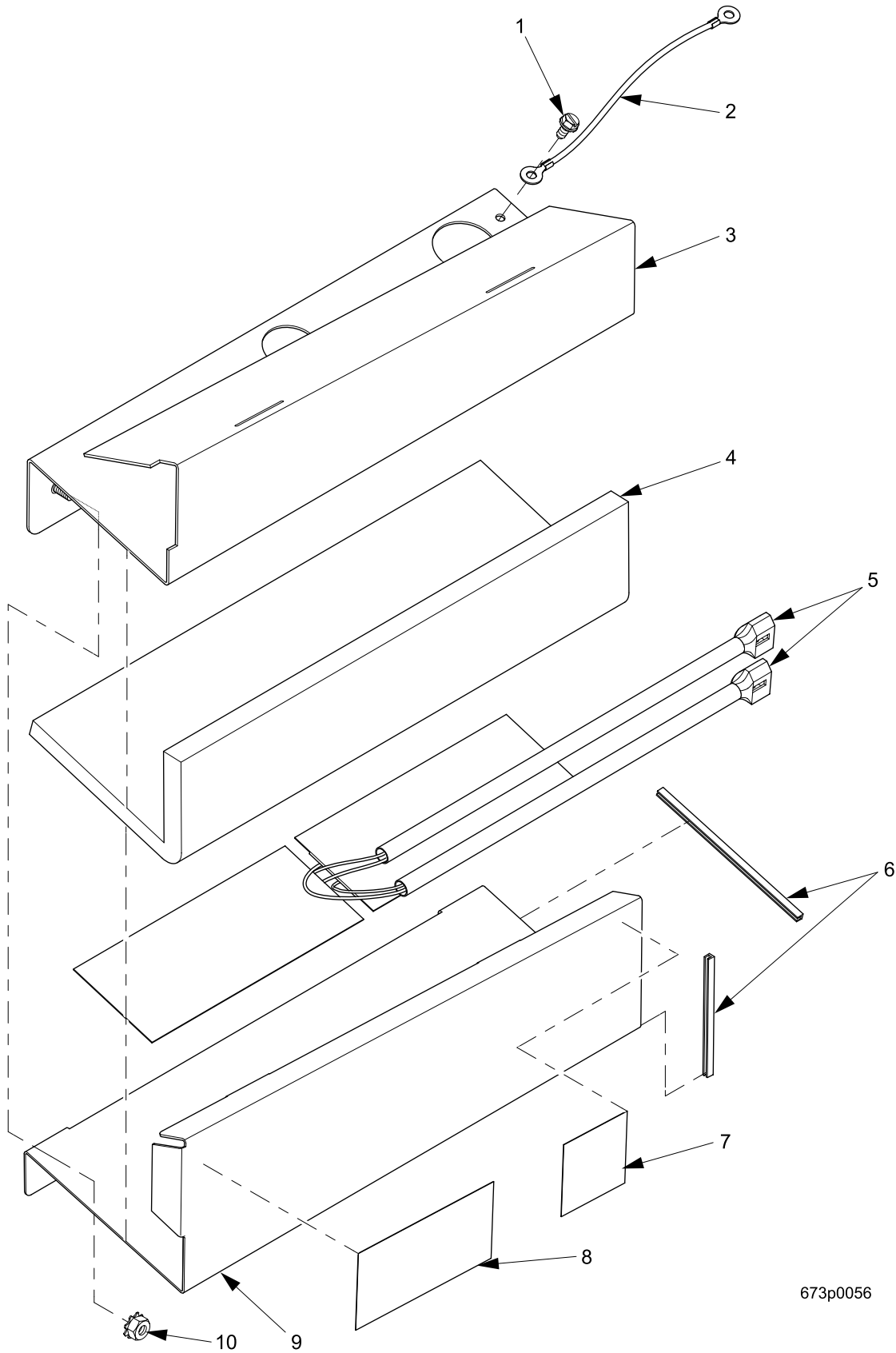


673p0049

FIGURE 39 BRACKET AND VALVE ASSEMBLY

TABLE 39 BRACKET AND VALVE ASSEMBLY

INDEX	PART NUMBER	DESCRIPTION	QTY
1	9900203	SCREW #6-20 X 3/8 PHS T/C	--
2	6231501	SUPPORT-INLET WATER VALVE	1
3	6238166	TUBE-LONG INLET-WATER TANK LID	1
4	3154059	CLAMP-STAINLESS STEEL	2
5	3158061	VALVE ASSY-WATER INLET-U.K.	1
6	6231503	ADAPTER-3/8-1/4 #222P-6-4	1
7	3108048	VALVE WATER-CONBRACO#57-001-01	1
8	6408119	MALE CONCTOR-BRASS #4-4-FBI2-B	3
9	6338017	TUBING-INLET LINE-NO FILTER	1



673p0056

FIGURE 40 HEATER ASSEMBLY - 115V / 50W (OPTIONAL)

TABLE 40 HEATER ASSEMBLY - 115 / 50W (OPTIONAL)

INDEX	PART NUMBER	DESCRIPTION	QTY
1	3157060	SCREW-#8-32 X .31 HEX W/ HD. S	3
2	9984094	WIRE-GROUND-14"	1
3	6361040	HEATER/TUBE COVER ASSEMBLY	1
4	6361042	INSULATOR-HEATER	1
5	6369000	HEATER-230V/100W-SILICONE	1
6	3156015	GROMMET-CONTINUOUS	3.4
7	6231189	LABEL-WARNING-HIGH VOLTAGE-	2
8	6231188	LABEL-CAUTION-HOT SURFAC	1
9	6361041	COVER-HEATER	1
10	4402043	NUT-#8-32 W/L.W.-S.S	2

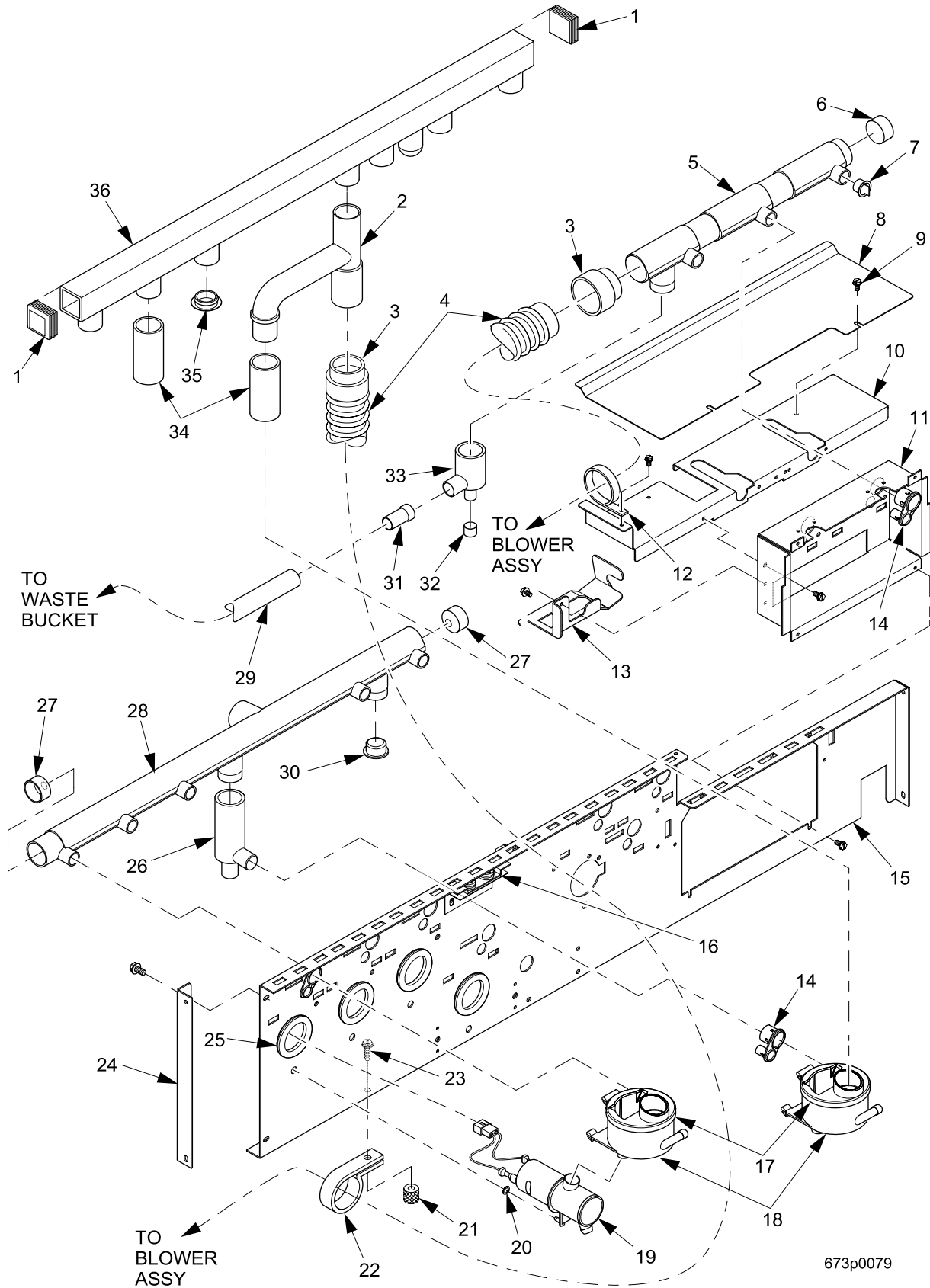


FIGURE 41 CANISTER SUPPORT ASSEMBLY - DUAL GRINDER

TABLE 41 CANISTER SUPPORT ASSEMBLY - DUAL GRINDER

INDEX	PART NUMBER	DESCRIPTION	QTY
1	6337082	CAP-MANIFOLD	2
2	6337044	VENT-SUG/LIT-ADAPTOR	1
3	6137157	COUPLING VENT HOSE	4
4	6737011	HOSE-EXHAUST-COFFEE CHUTE	1
5	6734083	VENT REAR BOWL	1
6	6237347	VINYL CAP - 1.00 X .50 LG	1
7	6237303	PLUG-CENTER PULL-.56	1
8	6734081	COVER - BREWER	1
9	1451097	SCREW-#8-32X.31 HEX HD.TF-BLK.	--
10	6734080	RETAINER - VENT HOSE	1
11	6734017	MOUNTING-MIXING BOWLS	1
12	3631171	CLIP-HARNES-1.50	1
13	6734016	RETAINER-HOSE-BREWER-D.G.	1
14	6237315	RETAINER-TUBE-MIXING BOWL	8
15	6731005	CHNL.W/A-CAN.SUPPORT-DUAL GRD.	1
16	6337057	CANISTER SUPPORT ASSY-LIGHTNER	1
17	6537019	VENT & DIVIDER ASSY	6
18	6537030	MIXING BOWL (SEE FIGURE 72)	6
19	6237195	WHIPPER ASSEMBLY-DRINK	4
20	2302223	GROMMET-3/16	4
21	9900214	NUT-KNURL-CANISTER	1
22	4254012	CLAMP-1.375	1
23	4741050	SCREW-#8-32 X .50 HX.HD.-T/F-BLK.	1
24	6731007	BRACKET-CAN.SUPPORT-LEFT	1
25	6237115	GROMMET-WHIPPER MOUNTING	4
26	6237336	VENT-EXTENSION-SUGAR/LGHTNR	1
27	6237335	VINYL CAP-1.000 I.D.X .50 LG.-	2
28	6337110	VENT-SHELF-DUAL FB.-W/6TH PROD	1
29	6338021	TUBING-SILICONE-.375IDX.562OD	34"
30	6237301	PLUG CENTER PULL-.93	1
31	6237314	TUBE-ADAPTER	1
32	6237306	VINYL CAP-.38 I.D.	1
33	6734086	VENT - DRAIN - SHORT	1
34	6337049	TUBE-EXTENSION-SILICONE	2
35	6337093	PLUG-HOLE-7/8 DIA.	1
36	6537031	VENT-FRONT-DUAL FB.7TH PROD.	1

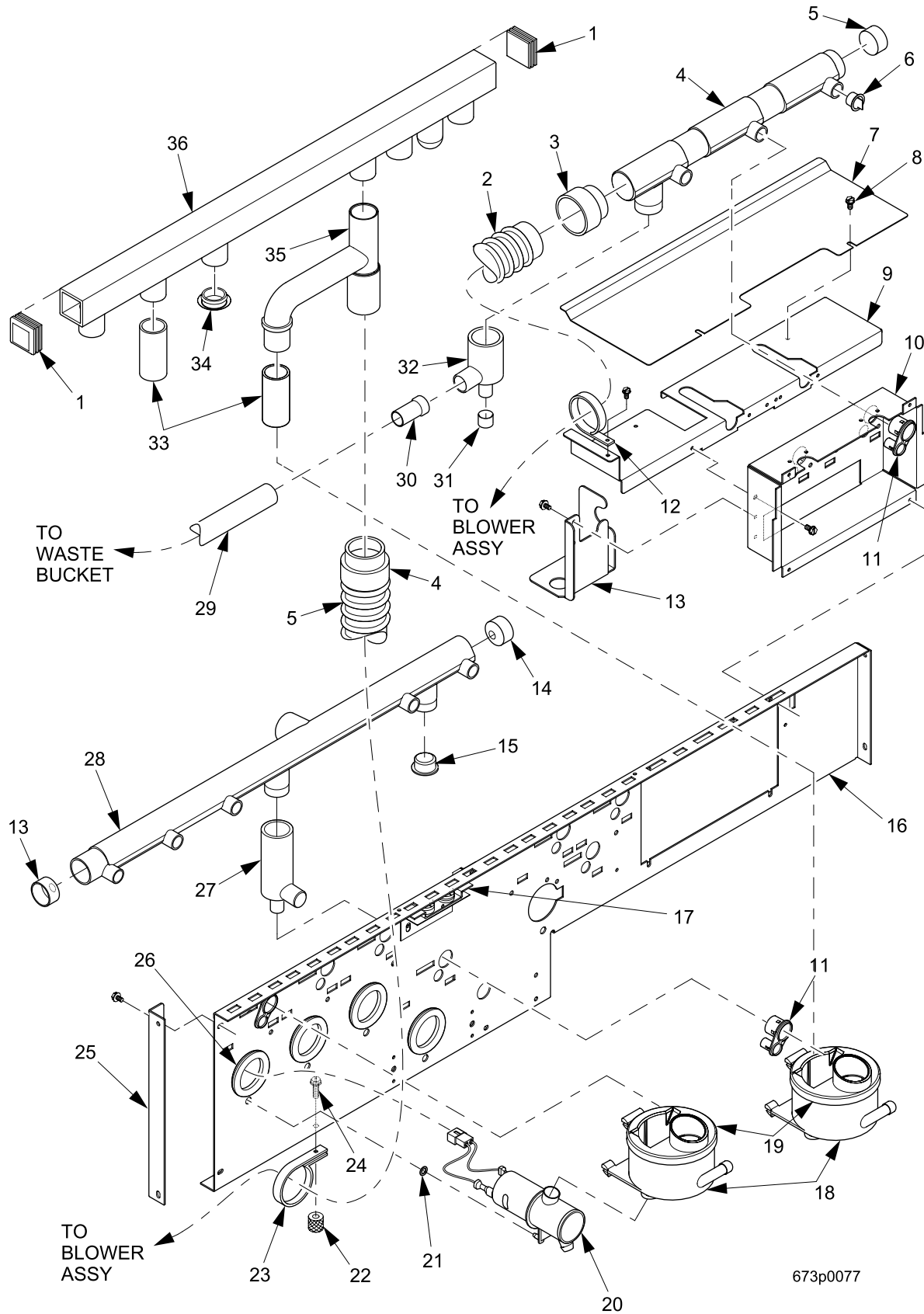


FIGURE 42 CANISTER SUPPORT ASSEMBLY - DUAL/FRESH BREWED W/ 7TH PRODUCT

TABLE 42 CANISTER SUPPORT ASSEMBLY - DUAL/FRESH BREWED W/ 7TH PRODUCT

INDEX	PART NUMBER	DESCRIPTION	QTY
1	6337082	CAP-MANIFOLD	2
2	6337011	HOSE-EXHAUST-COFFEE CHUTE	2
3	6137157	COUPLING VENT HOSE	4
4	6734083	VENT REAR BOWL	1
5	6237347	VINYL CAP - 1.00 X .50	1
6	6237303	PLUG-CENTER PULL-.56	1
7	6734081	COVER - BREWER	1
8	1451097	SCREW-#8-32X.31 HEX HD.TF-BLK.	--
9	6734080	RETAINER - VENT HOSE	1
10	6734017	MOUNTING-MIXING BOWLS	1
11	6237315	RETAINER-TUBE-MIXING BOWL	8
12	3631171	CLIP-HARNESS-1.50	1
13	6734014	RETAINER-HOSE-BREWER	1
14	6237335	VINYL CAP-1.000 I.D.X .50 LG.-	2
15	6237301	PLUG CENTER PULL-.93	1
16	6731001	CHANNEL ASSY-CAN.SUPPORT	1
17	6337057	CANISTER SUPPORT ASSY-LIGHTNER	1
18	6537030	MIXING BOWL (SEE FIGURE 72)	6
19	6537019	VENT & DIVIDER ASSY	6
20	6237195	WHIPPER ASSEMBLY-DRINK	4
21	2302223	GROMMET-3/16	4
22	9900214	NUT-KNURL-CANISTER	1
23	4254012	CLAMP-1.375	1
24	4741050	SCREW-#8-32 X .50 HX.HD.-T/F-BLK.	1
25	6731007	BRACKET-CAN.SUPPORT-LEFT	1
26	6237115	GROMMET-WHIPPER MOUNTING	4
27	6237336	VENT-EXTENSION-SUGAR/LGHTNR	1
28	6337110	VENT-SHELF-DUAL FB.-W/6TH PROD	1
29	6338021	TUBING-SILICONE-.375IDX.562OD	34"
30	6237314	TUBE-ADAPTER	1
31	6237306	VINYL CAP-.38 I.D.	1
32	6734086	VENT - DRAIN - SHORT	1
33	6337049	TUBE-EXTENSION-SILICONE	2
34	6337093	PLUG-HOLE-7/8 DIA.	1
35	6337044	VENT-SUG/LIT-ADAPTOR	1
36	6551005	VENT-FRNT-BOWL-F.D.-7 PRODUCT	1

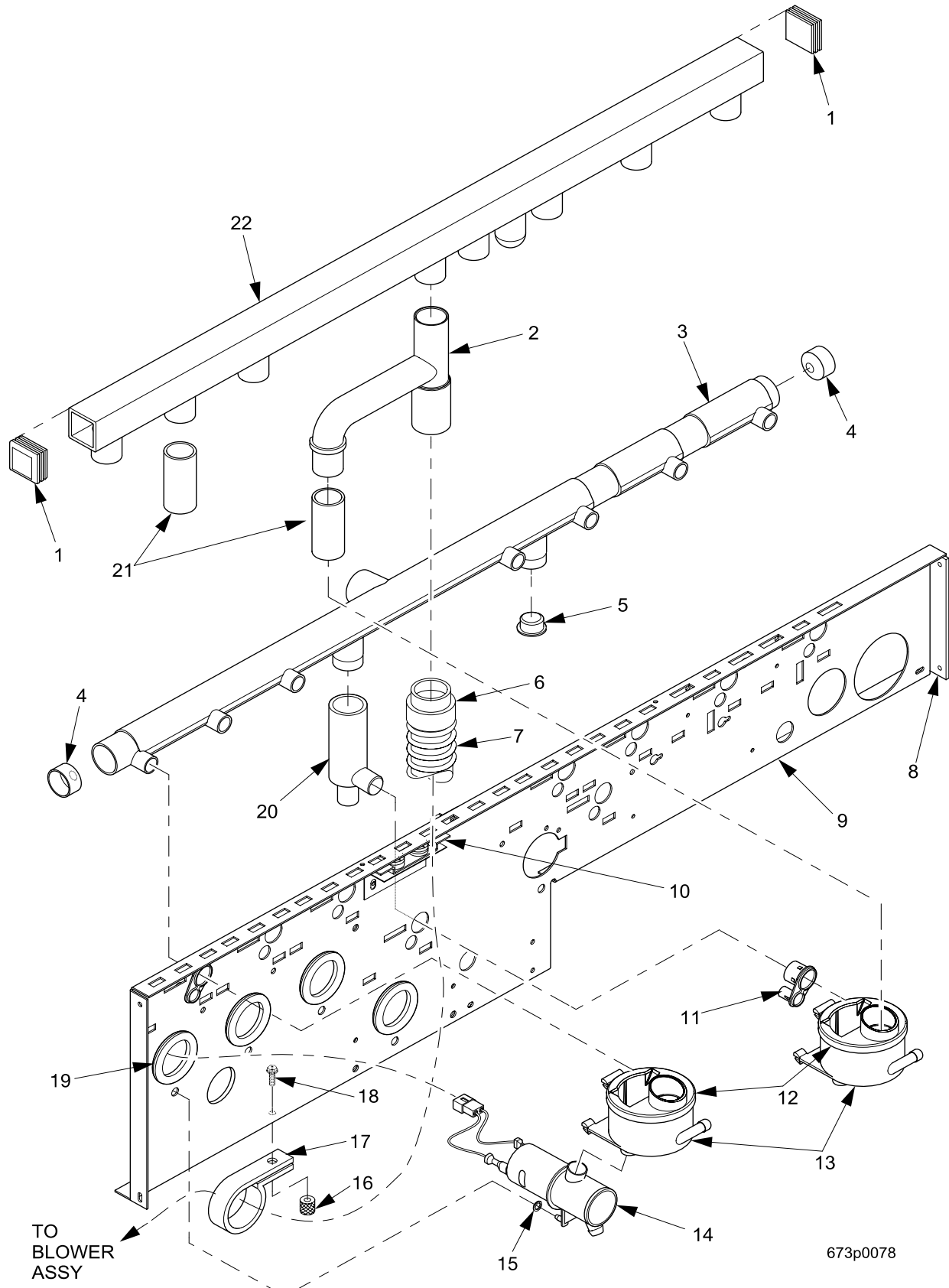


FIGURE 43 CANISTER SUPPORT ASSEMBLY - FREEZE DRIED WITH 7TH PRODUCT

TABLE 43 CANISTER SUPPORT ASSEMBLY - FREEZE DRIED WITH 7TH PRODUCT

INDEX	PART NUMBER	DESCRIPTION	QTY
1	6337082	CAP-MANIFOLD	2
2	6337044	VENT-SUG/LIT-ADAPTOR	1
3	6551004	VENT-REAR BOWL-SINGLE F.B.	1
4	6237335	VINYL CAP-1.000 I.D.X .50 LG.-	2
5	6237301	PLUG CENTER PULL-.93	1
6	6137157	COUPLING VENT HOSE	2
7	6737011	HOSE-EXHAUST-COFFEE CHUTE	1
8	6231033	BRACKET-CANISTER SUPPORT	1
9	6551002	CHANNEL WELD ASSY-CNSTR SUP.	1
10	6337057	CANISTER SUPPORT ASSY-LIGHTNER	1
11	6237315	RETAINER-TUBE-MIXING BOWL	8
12	6537019	VENT & DIVIDER ASSY	7
13	6537030	MIXING BOWL	7
14	6237195	WHIPPER ASSEMBLY-DRINK	5
15	2302223	GROMMET-3/16	5
16	9900214	NUT-KNURL-CANISTER	1
17	4254012	CLAMP-1.375	1
18	4741050	SCREW-#8-32 X .50 HX.HD.-T/F-BLK.	1
19	6237115	GROMMET-WHIPPER MOUNTING	5
20	6237336	VENT-EXTENSION-SUGAR/LGHTNR	1
21	6337049	TUBE-EXTENSION-SILICONE	8
22	6551005	VENT-FRNT-BOWL-F.D.-7 PRODUCT	1

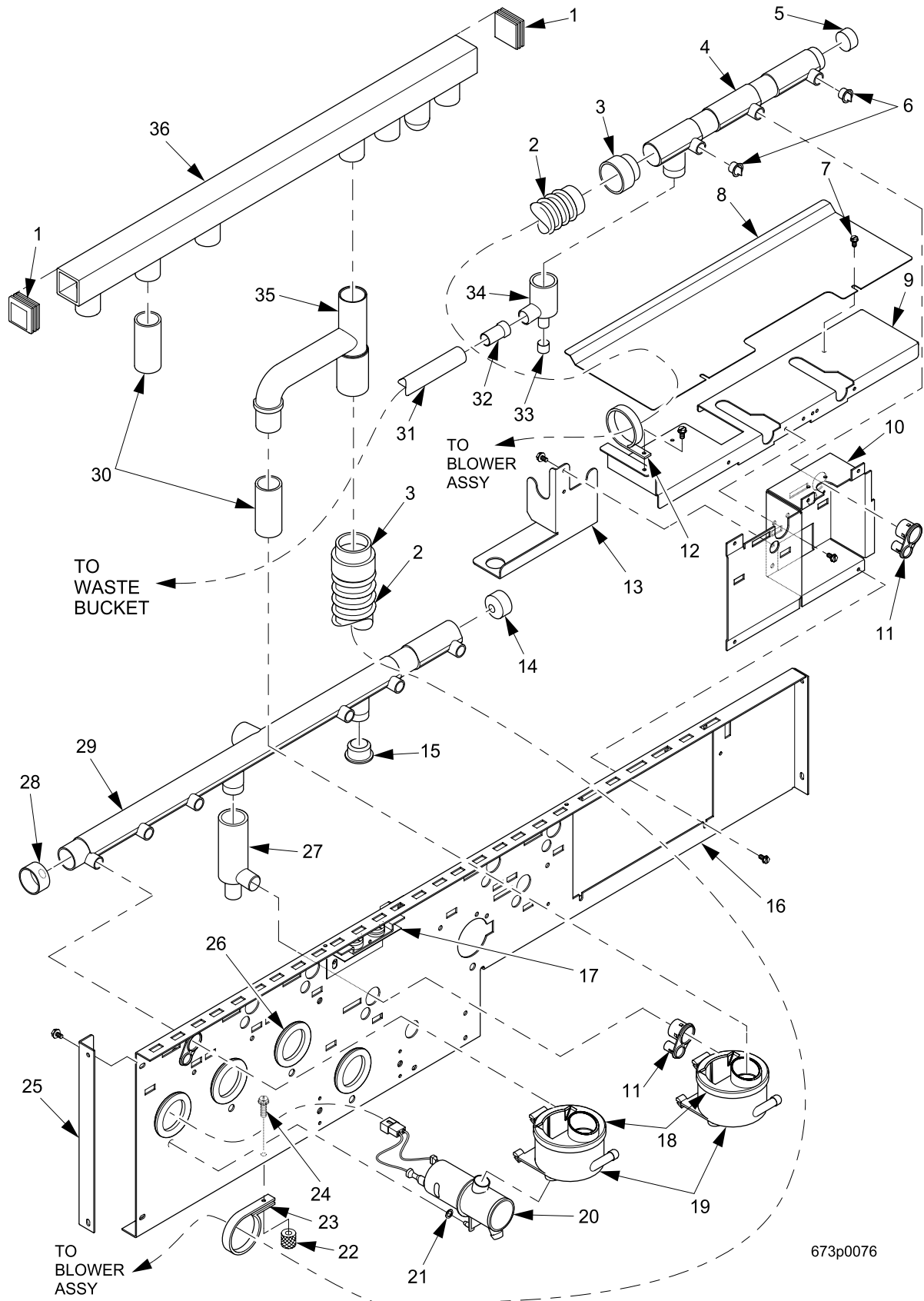


FIGURE 44 CANISTER SUPPORT ASSEMBLY - SINGLE FRESH BREWED W/ 7TH PRODUCT

TABLE 44 CANISTER SUPPORT ASSEMBLY - SINGLE FRESH BREWED W/ 7TH PRODUCT

INDEX	PART NUMBER	DESCRIPTION	QTY
1	6337082	CAP-MANIFOLD	2
2	6737011	HOSE-EXHAUST-COFFEE CHUTE	2
3	6137157	COUPLING VENT HOSE	4
4	6734083	VENT REAR BOWL	1
5	6237347	VINYL CAP - 1.00 X .50	1
6	6237303	PLUG-CENTER PULL-.56	2
7	1451097	SCREW-#8-32X.31 HEX HD.TF-BLK.	--
8	6734081	COVER - BREWER	1
9	6734080	RETAINER - VENT HOSE	1
10	6734018	PANEL-MIXING BOWL-MTG-SGL FB	1
11	6237315	RETAINER-TUBE-MIXING BOWL	8
12	3631171	CLIP-HARNESS-1.50	1
13	4732024	RETAINER-HARNESS	1
14	6237335	VINYL CAP-1.000 I.D.X .50 LG.-	1
15	6237301	PLUG CENTER PULL-.93	1
16	6731001	CHANNEL ASSY-CAN.SUPPORT	1
17	6337057	CANISTER SUPPORT ASSY-LIGHTNER	1
18	6537019	VENT & DIVIDER ASSY	6
19	6537030	MIXING BOWL	6
20	6237195	WHIPPER ASSEMBLY-DRINK	4
21	2302223	GROMMET-3/16	4
22	9900214	NUT-KNURL-CANISTER	1
23	4254012	CLAMP-1.375	1
24	4741050	SCREW-#8-32 X .50 HX.HD.-T/F-BLK.	1
25	6731007	BRACKET-CAN.SUPPORT-LEFT	1
26	6237115	GROMMET-WHIPPER MOUNTING	4
27	6237336	VENT-EXTENSION-SUGAR/LGHTNR	1
28	6237335	VINYL CAP-1.000 I.D.X .50 LG.-	1
29	6337109	VENT-SHELF-SINGLE FB.-W/6TH PD	1
30	6337049	TUBE-EXTENSION-SILICONE	7
31	6338021	TUBING-SILICONE-.375IDX.562OD	34"
32	6237314	TUBE-ADAPTER	1
33	6237306	VINYL CAP-.38 I.D.	1
34	6734086	VENT - DRAIN - SHORT	1
35	6337044	VENT-SUG/LIT-ADAPTOR	1
36	6537001	VENT-FRONT-SINGLE FB W/7TH PRO	1

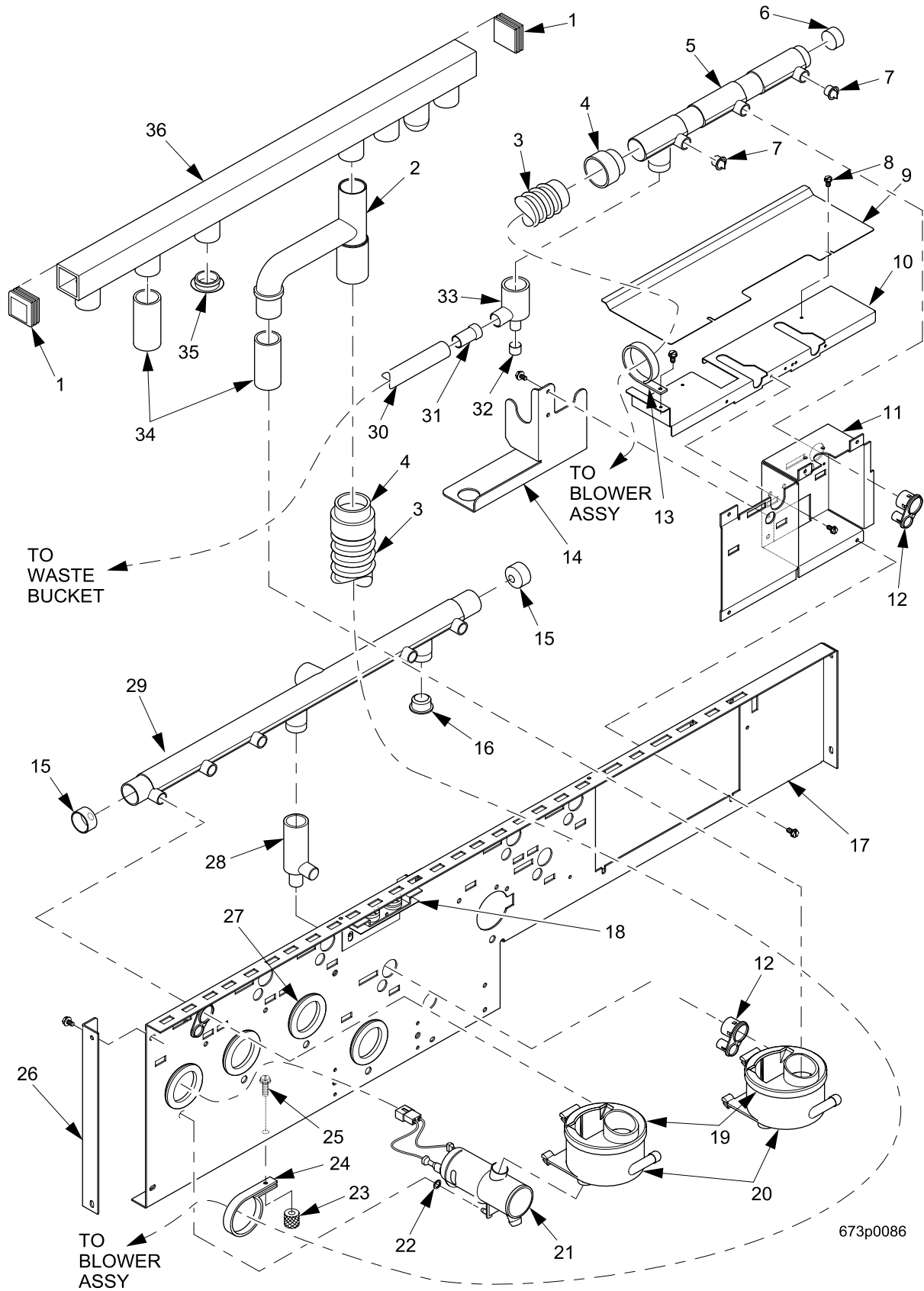


FIGURE 45 CANISTER SUPPORT ASSEMBLY - SINGLE FRESH BREWED W/ 6TH PRODUCT

TABLE 45 CANISTER SUPPORT ASSEMBLY - SINGLE FRESH BREWED W/ 6TH PRODUCT

INDEX	PART NUMBER	DESCRIPTION	QTY
1	6337082	CAP-MANIFOLD	2
2	6337044	VENT-SUG/LIT-ADAPTOR	1
3	6737011	HOSE-EXHAUST-COFFEE CHUTE	2
4	6137157	COUPLING VENT HOSE	4
5	6734083	VENT REAR BOWL	1
6	6237347	VINYL CAP - 1.00 X .GO LG	1
7	6237303	PLUG-CENTER PULL-.56	2
8	1451097	SCREW-#8-32X.31 HEX HD.TF-BLK.	--
9	6734081	COVER - BREWER	1
10	6734080	RETAINER - VENT HOSE	1
11	6734018	PANEL-MIXING BOWL-MTG-SGL FB	1
12	6237315	RETAINER-TUBE-MIXING BOWL	6
13	3631171	CLIP-HARNESS-1.50	1
14	6734019	RETAINER-HOSE-BREWER-SGL.FB	1
15	6237335	VINYL CAP-1.000 I.D.X .50 LG.-	3
16	6237301	PLUG CENTER PULL-.93	1
17	6731001	CHANNEL ASSY-CAN.SUPPORT	1
18	6337057	CANISTER SUPPORT ASSY-LIGHTNER	1
19	6537019	VENT & DIVIDER ASSY	6
20	6537030	MIXING BOWL	6
21	6237195	WHIPPER ASSEMBLY-DRINK	4
22	2302223	GROMMET-3/16	4
23	9900214	NUT-KNURL-CANISTER	1
24	4254012	CLAMP-1.375	1
25	4741050	SCREW-#8-32 X .50 HX.HD.-T/F-BLK.	1
26	6731007	BRACKET-CAN.SUPPORT-LEFT	1
27	6237115	GROMMET-WHIPPER MOUNTING	4
28	6237336	VENT-EXTENSION-SUGAR/LGHTNR	1
29	6337109	VENT-SHELF-SINGLE FB.-W/6TH PD	1
30	6338021	TUBING-SILICONE-.375IDX.562OD	34"
31	6237314	TUBE-ADAPTER	1
32	6237306	VINYL CAP-.38 I.D.	1
33	6734086	VENT - DRAIN - SHORT	1
34	6337049	TUBE-EXTENSION-SILICONE	6
35	6337093	PLUG-HOLE-7/8 DIA.	1
36	6537001	VENT-FRONT-SINGLE FB W/7TH PRO	1

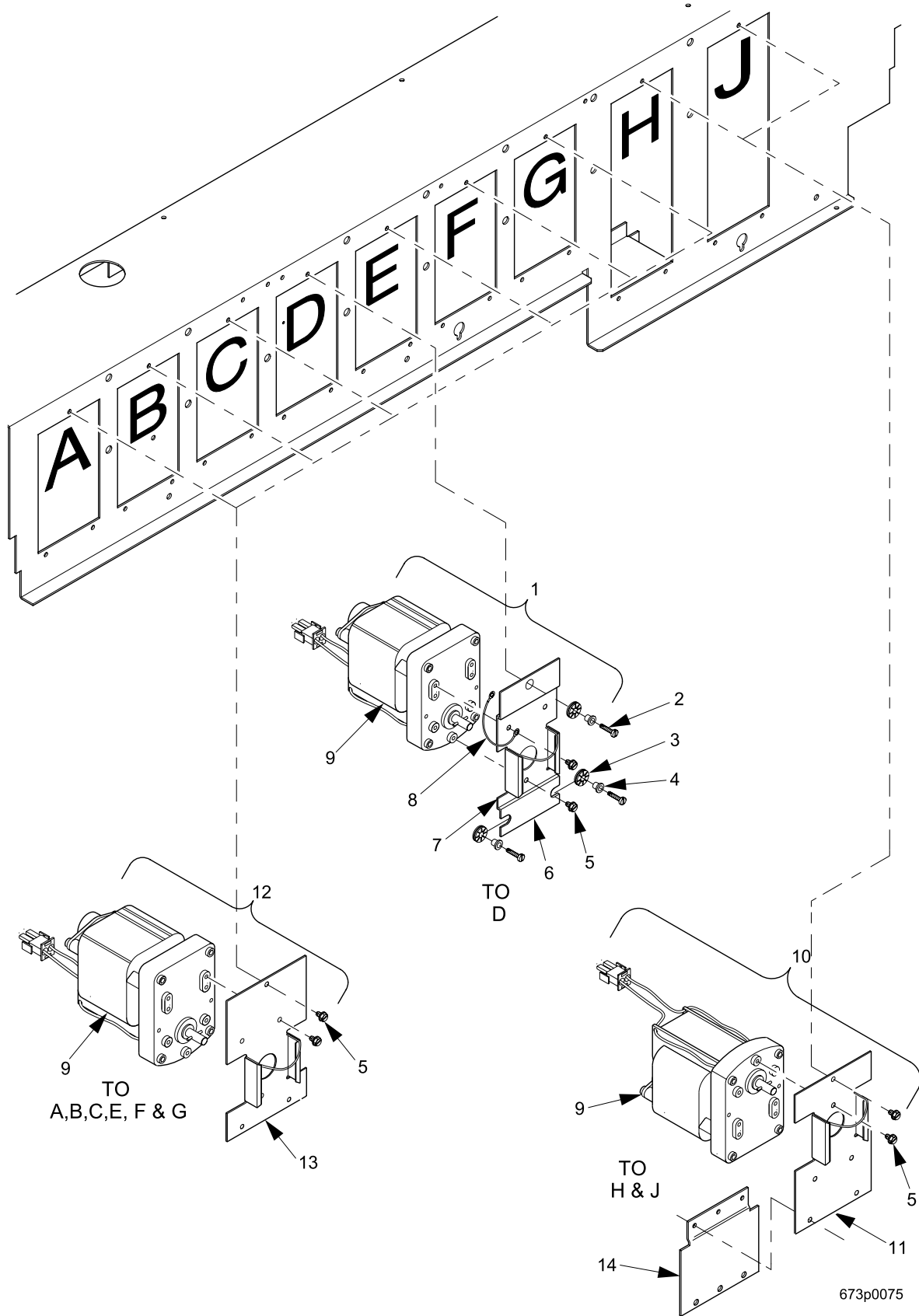


FIGURE 46 CANISTER MOTOR - LOCATION

TABLE 46 CANISTER MOTOR - LOCATION

INDEX	PART NUMBER	DESCRIPTION	QTY
1	6237184	MOTOR & PLATE ASSY-LIGHTENER	--
2	3102427	STOP COIN CHANGER	1
3	6237356	VIBRATION ISOLATOR-.375 DIA.GF	2
4	6237170	BUSHING-CANISTER	3
5	9900157	SCREW #8-32X7/32 HWHD TY23	--
6	6237376	INSTR-INSTAL-GRINDER GASKE	1
7	6237172	PLATE ASSY-MOTOR MTG-LIGHTENER	1
8	1475119	JUMPER-GROUND WIRE	1
9	6237165	MOTOR-CANISTER-115V/60HZ-200	1
10	6237438	MOTOR & PLATE ASSY-COFFEE	--
11	6237078	PLATE-MOTOR MOUNTING-COFFEE	1
12	6237436	MOTOR & PLATE ASSY-200 RPM	--
13	6237074	PLATE ASSY-MOTOR MTG-WELD	1
14	6731036	PLATE-ADAPTOR-CANISTER MOTOR	2

Note: Plate #6734012 is mounted on the bottom for single grinder or freshbrews. Same plate is mounted on top for dual grinder option.

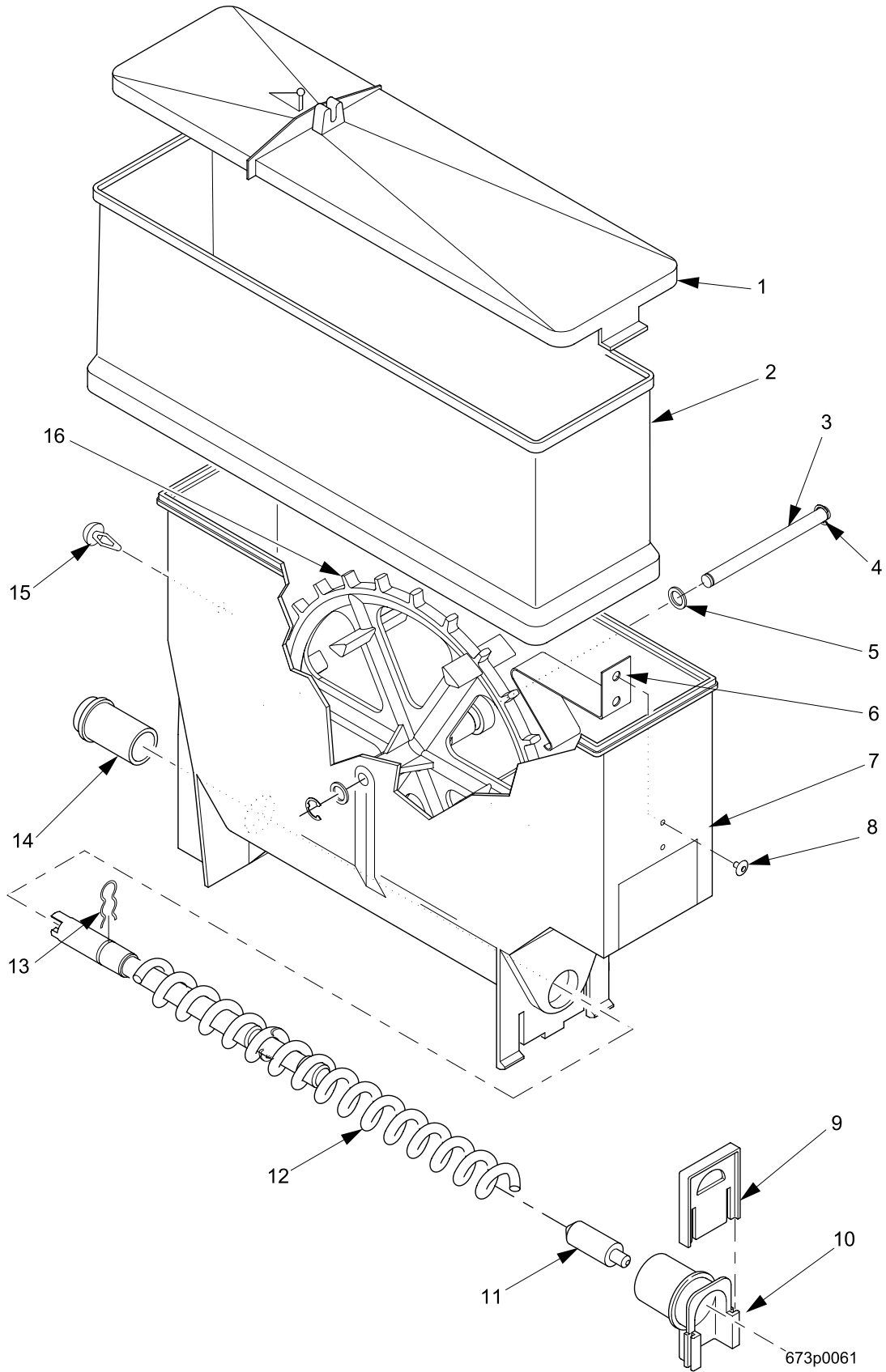
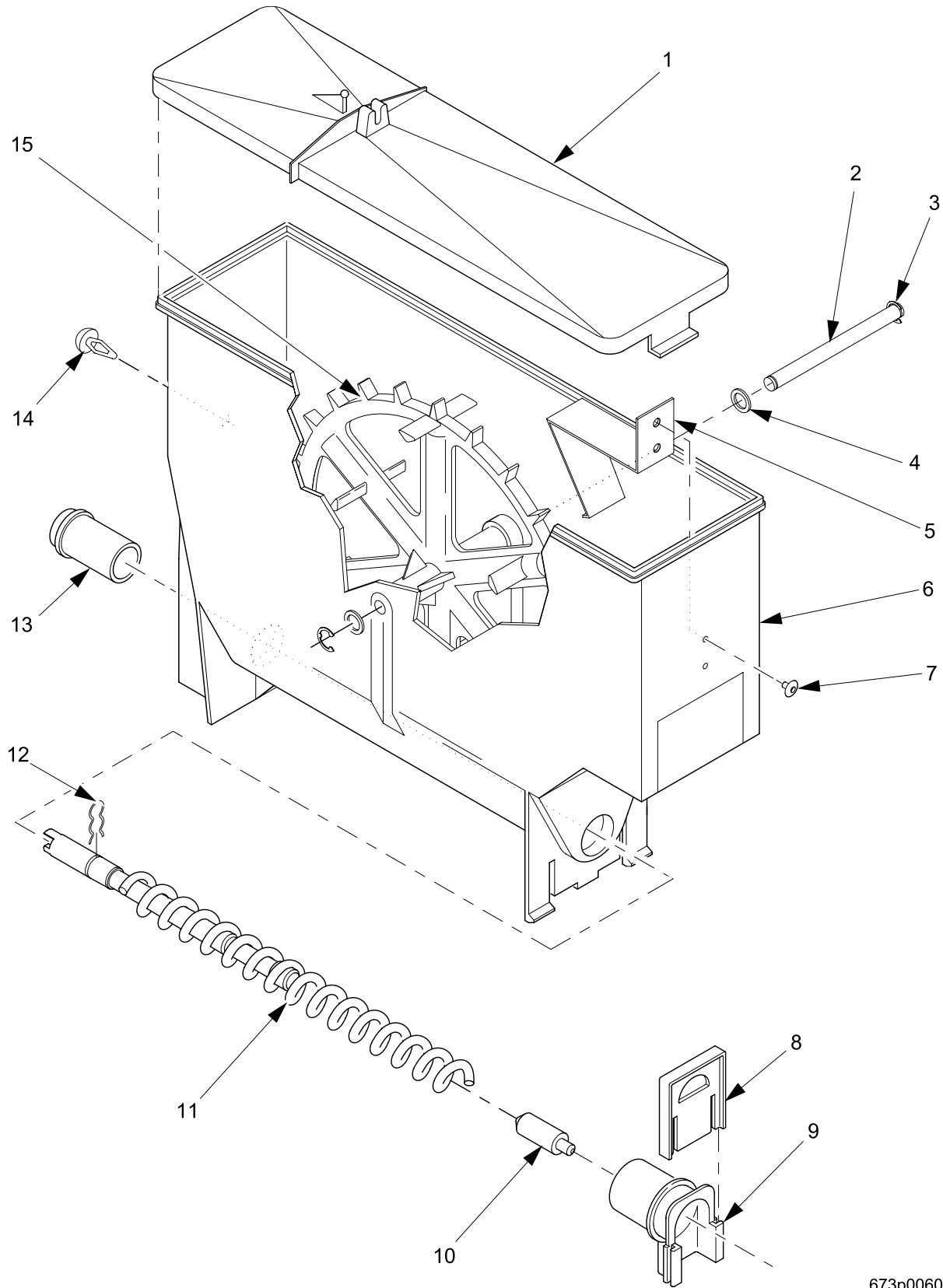


FIGURE 47 CANISTER ASSEMBLY - CHOCOLATE

TABLE 47 CANISTER ASSEMBLY - CHOCOLATE

INDEX	PART NUMBER	DESCRIPTION	QTY
--	6537023	CANISTER ASSEMBLY - CHOCOLATE	--
1	6237023	LID-CANISTER	1
2	6237439	SLEEVE-CANISTER-4"-1 RIB	1
3	6237167	SHAFT-CANISTER	1
4	9900415	RETAINING RING REINF E TYP.156	--
5	6237116	WASHER-SEAL-WEAR PLATE	2
6	6237108	SPRING-THUMPER	1
7	6237177	BASE-CANISTER-THUMPER	1
8	6537026	ALUMINUM CAP RIVET-.187 DIA	2
9	6537013	GATE-NOZZLE-PLASTIC	5
10	6537014	NOZZLE-DISPENSING	1
11	6537021	PLUG-AUGER	1
12	6537018	AUGER & SHAFT ASSY	1
13	6337020	CLIP-SPRING	1
14	6237014	BEARING-CANISTER	1
15	6237053	FASTENER-PUSH IN	1
16	6237181	MIXING WHEEL	1

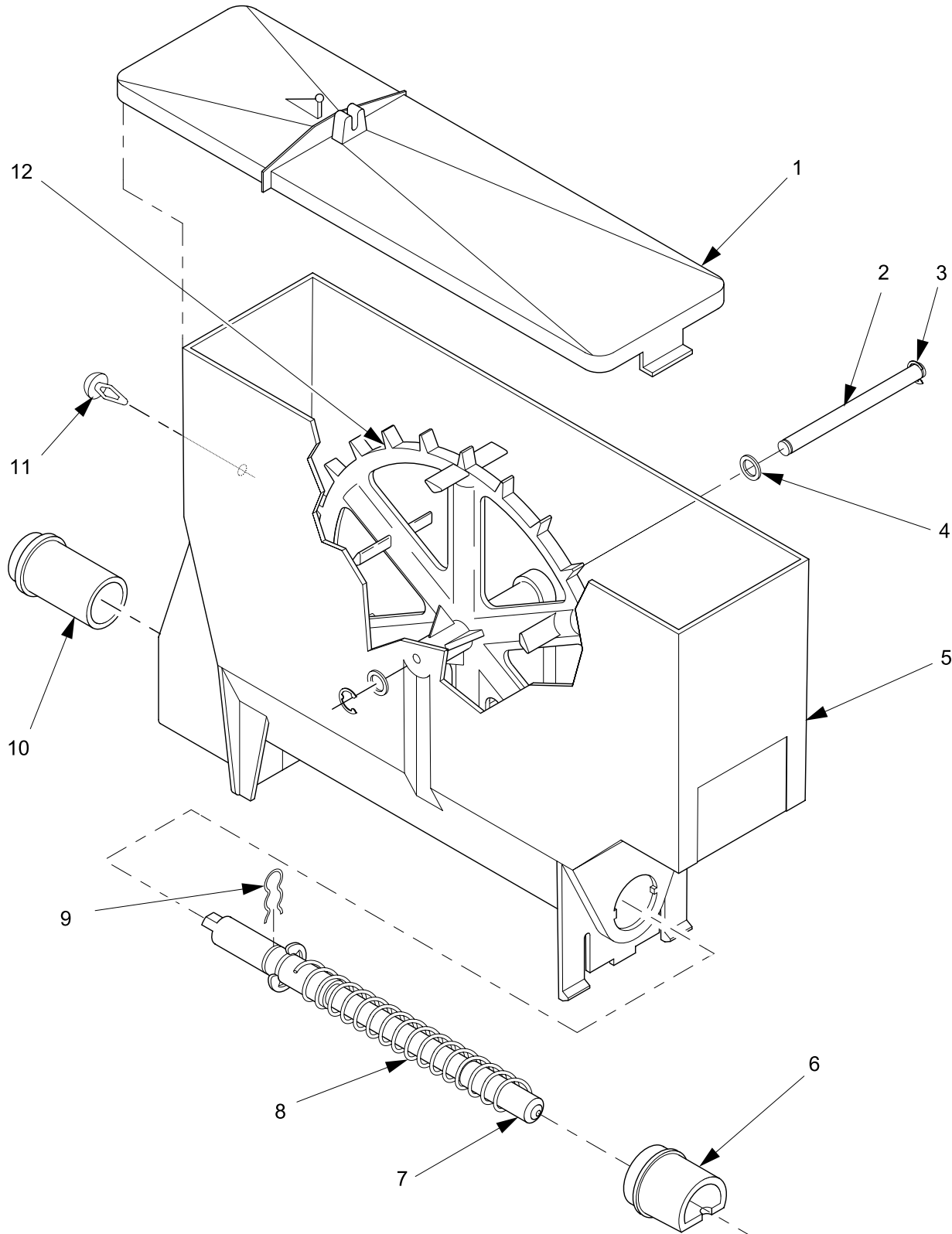


673p0060

FIGURE 48 CANISTER ASSEMBLY - SOUP 6TH PRODUCT

TABLE 48 CANISTER ASSEMBLY - SOUP 6TH PRODUCT

INDEX	PART NUMBER	DESCRIPTION	QTY
--	6537024	CANISTER ASSY-SOUP/6TH PROD	--
1	6237023	LID-CANISTER	1
2	6237167	SHAFT-CANISTER	1
3	9900415	RETAINING RING REINF E TYP.156	--
4	6237116	WASHER-SEAL-WEAR PLATE	2
5	6237108	SPRING-THUMPER	1
6	6237177	BASE-CANISTER-THUMPER	1
7	6537026	ALUMINUM CAP RIVET-.187 DIA	2
8	6537013	GATE-NOZZLE-PLASTIC	5
9	6537014	NOZZLE-DISPENSING	1
10	6537018	AUGER & SHAFT ASSY	1
11	6537021	PLUG-AUGER	1
12	6337020	CLIP-SPRING	1
13	6237014	BEARING-CANISTER	1
14	6237053	FASTENER-PUSH IN	1
15	6237181	MIXING WHEEL	1

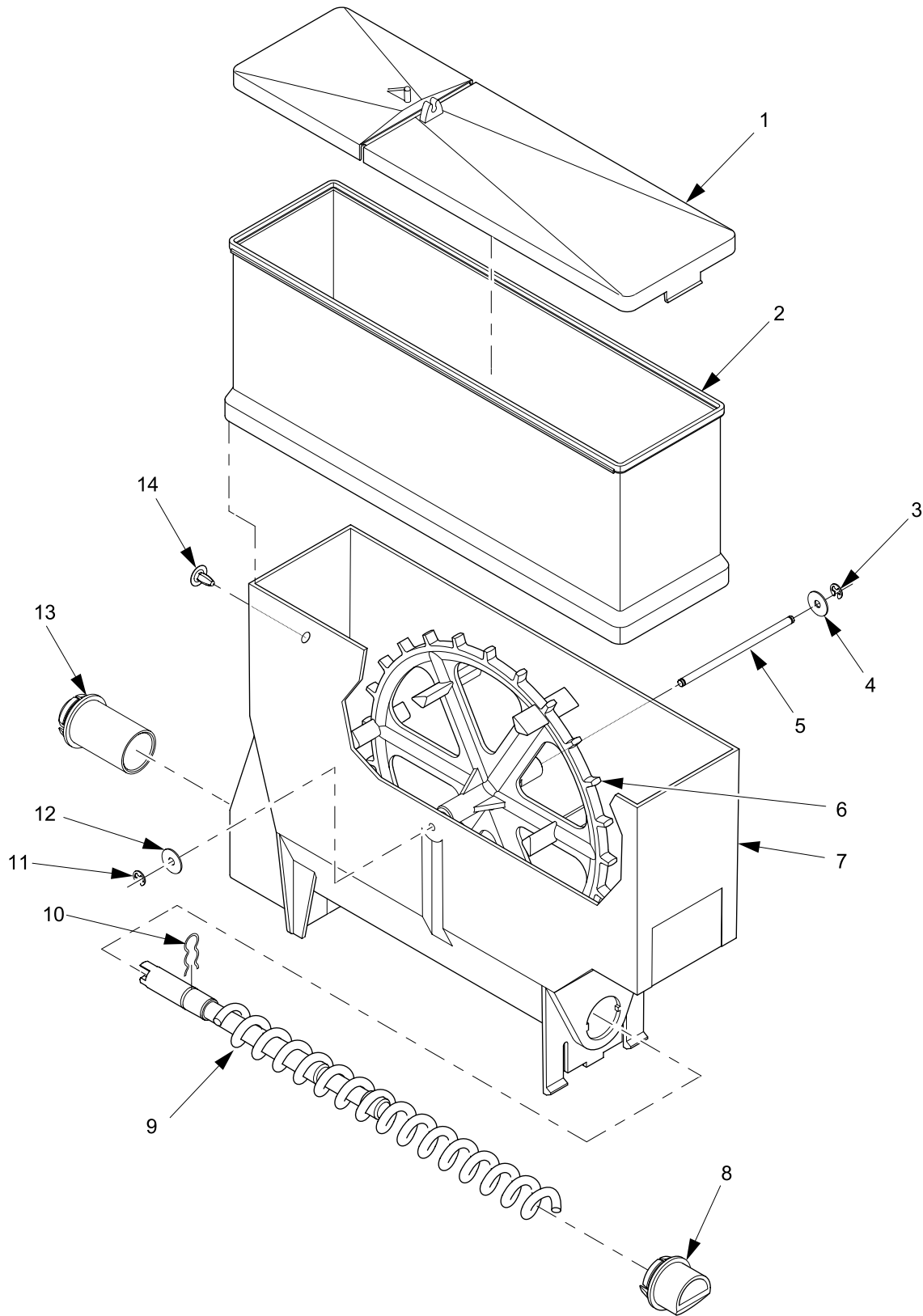


673p0058

FIGURE 49 CANISTER ASSEMBLY - LIGHTENER

TABLE 49 CANISTER ASSEMBLY - LIGHTENER

INDEX	PART NUMBER	DESCRIPTION	QTY
--	6237446	CANISTER ASSY-LIGHTENER	
1	6237023	LID-CANISTER	1
2	6237167	SHAFT-CANISTER	1
3	9900415	RETAINING RING REINF E TYP.156	--
4	6237116	WASHER-SEAL-WEAR PLATE	2
5	6237176	BASE-CANISTER	1
6	6237106	NOZZLE-DISPENSING-CANISTER	1
7	6237046	PLUG-AUGER	2
8	6237179	AUGER ASSEMBLY-CANISTER	1
9	6337020	CLIP-SPRING	1
10	6237014	BEARING-CANISTER	1
11	6237053	FASTENER-PUSH IN	1
12	6237181	MIXING WHEEL	1

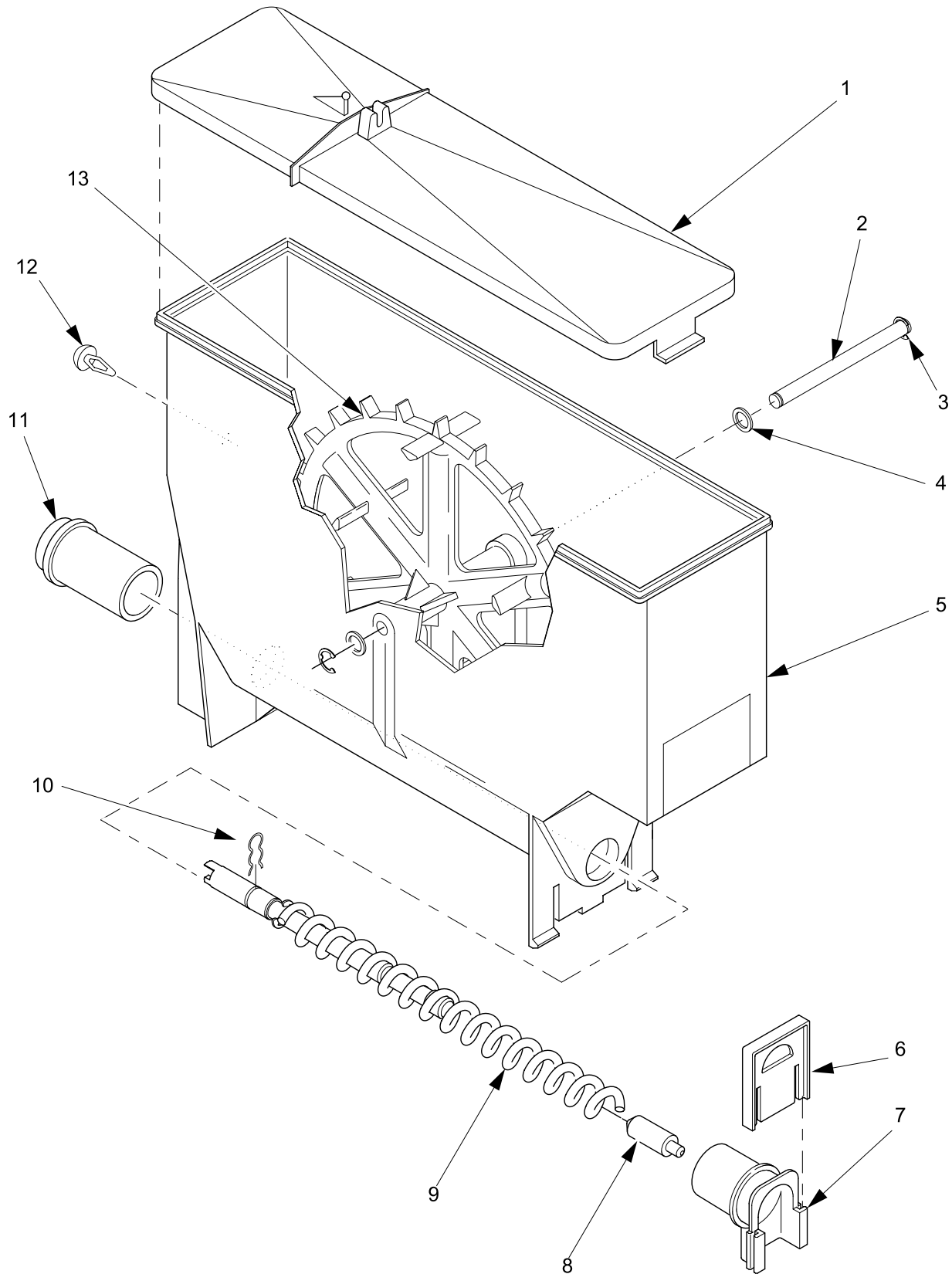


673p0066

FIGURE 50 CANISTER ASSEMBLY - 1 SLEEVE

TABLE 50 CANISTER ASSEMBLY - 1 SLEEVE

INDEX	PART NUMBER	DESCRIPTION	QTY
--	6537025	CANISTER ASSY-1 SLV-W/MIXING	--
1	6237023	LID-CANISTER	1
2	6237008	CANISTER SLEEVE-4 IN.	1
3	9900415	RETAINING RING REINF E TYP.156	--
4	6237116	WASHER-SEAL-WEAR PLATE	2
5	6237167	SHAFT-CANISTER	1
6	6237181	MIXING WHEEL	1
7	6237176	BASE-CANISTER	1
8	6237063	NOZZLE-DISPENSING-CANISTER	2
9	6537018	AUGER-CANISTER	1
10	6337020	CLIP-SPRING	1
11	9900415	RETAINING RING REINF E TYP.156	--
12	6237116	WASHER-SEAL-WEAR PLATE	2
13	6237014	BEARING-CANISTER	1
14	6237053	FASTENER-PUSH IN	1

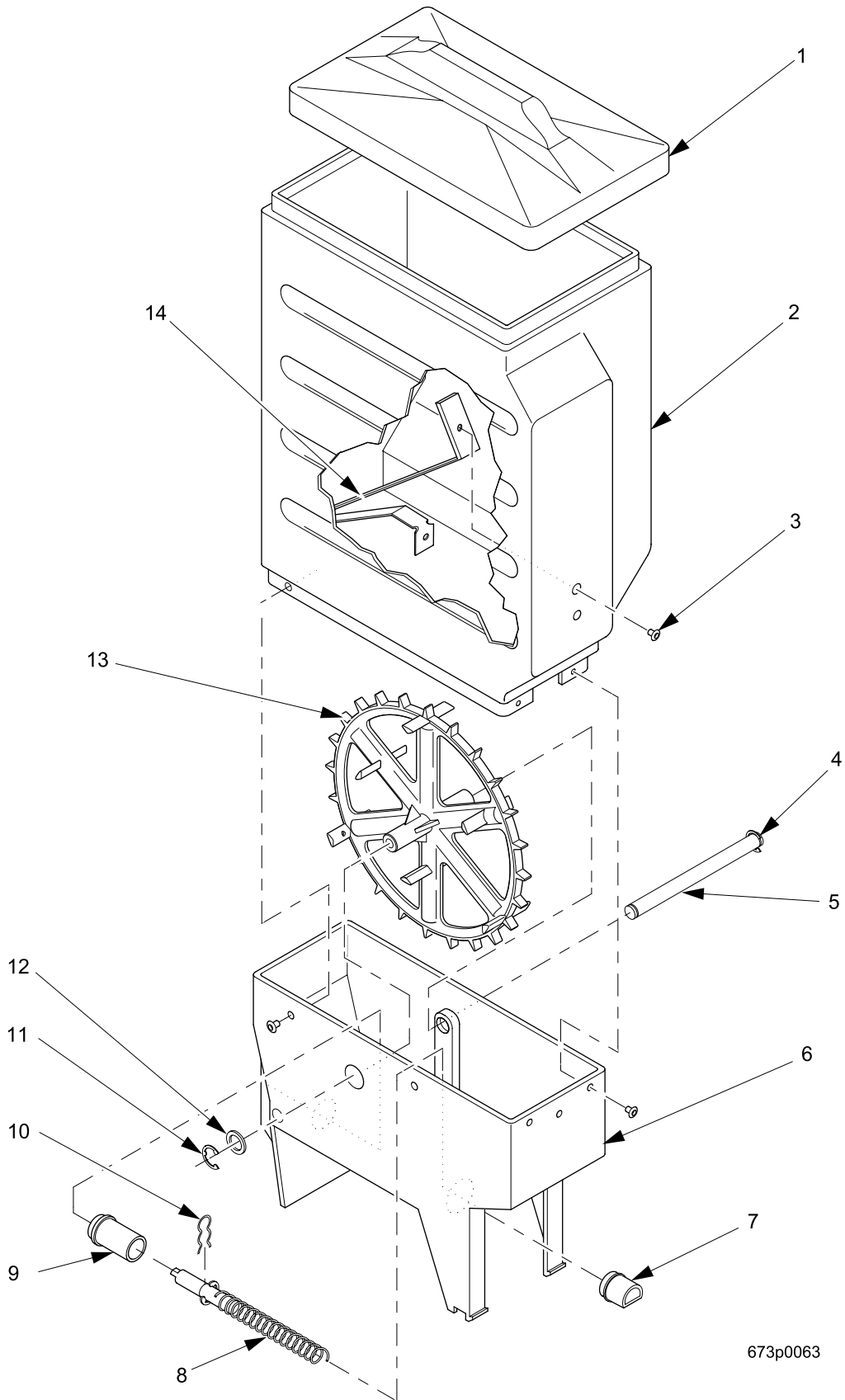


673p0062

FIGURE 51 CANISTER ASSEMBLY - FREEZE DRIED COFFEE

TABLE 51 CANISTER ASSEMBLY - FREEZE DRIED COFFEE

INDEX	PART NUMBER	DESCRIPTION	QTY
--	6537022	CANISTER ASSY-FD COFFEE	--
1	6237023	LID-CANISTER	1
2	6237167	SHAFT-CANISTER	1
3	9900415	RETAINING RING REINF E TYP.156	--
4	6237116	WASHER-SEAL-WEAR PLATE	2
5	6237176	BASE-CANISTER	1
6	6537013	GATE-NOZZLE-PLASTIC	5
7	6537014	NOZZLE-DISPENSING	1
--	6537027	PLUG & AUGER ASSY	1
8	6537021	PLUG-AUGER	1
9	6537018	AUGER-CANISTER	1
10	6337020	CLIP-SPRING	1
11	6237014	BEARING-CANISTER	1
12	6237053	FASTENER-PUSH IN	1
13	6237181	MIXING WHEEL	1

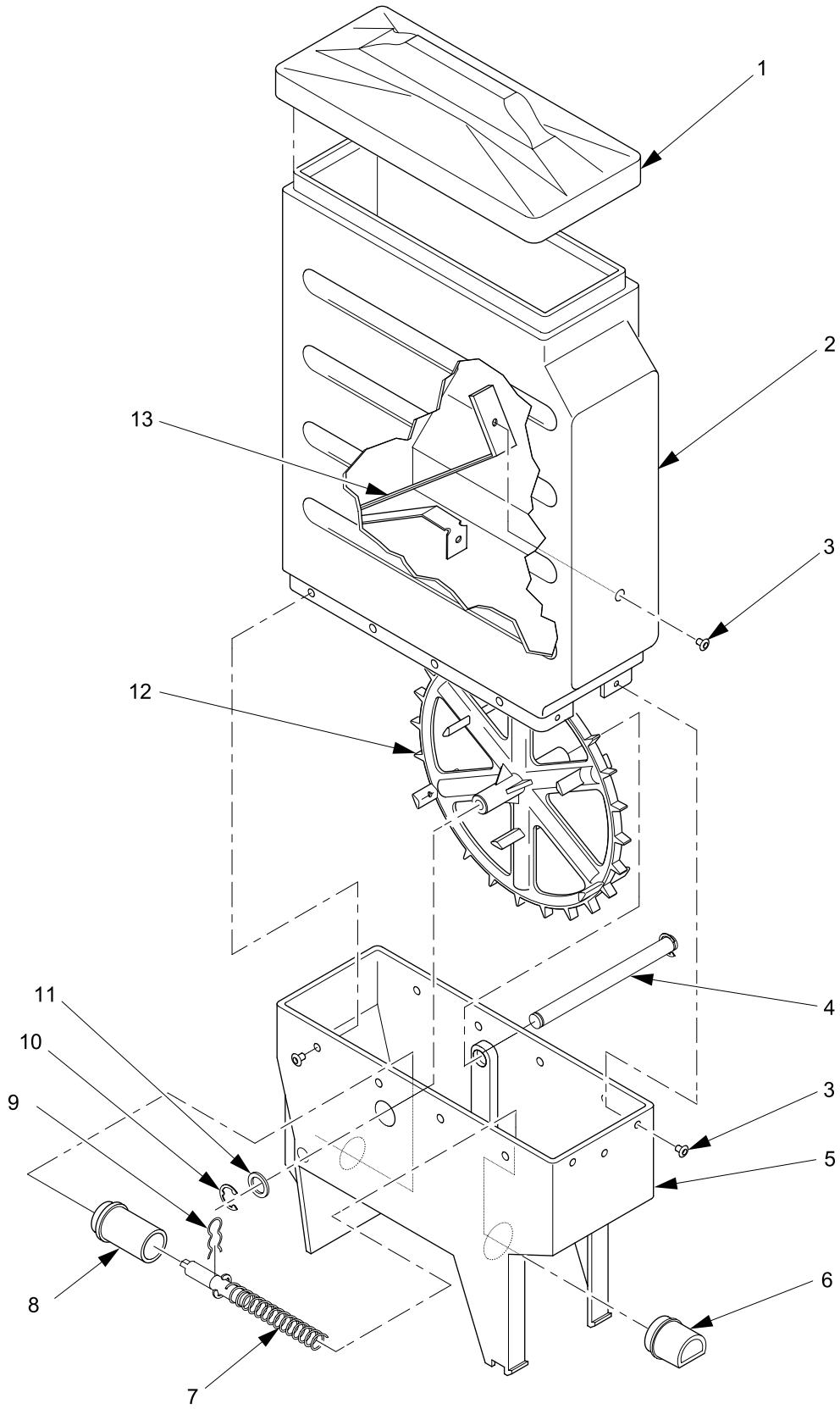


673p0063

FIGURE 52 CANISTER ASSEMBLY - COFFEE PRE-GROUND

TABLE 52 CANISTER ASSEMBLY - COFFEE PRE-GROUND

INDEX	PART NUMBER	DESCRIPTION	QTY
--	6337022	CANISTER ASSY-COFFEE PRE-GND.	--
1	6237066	LID-CANISTER-COFFEE	1
2	6337024	SLEEVE-CAN.-PUNCHED-P/GND.COF.	1
3	6537026	ALUMINUM CAP RIVET-.187 DIA	13
4	9900415	RETAINING RING REINF E TYP.156	--
5	6337032	SHAFT-CANISTER-COFFEE	1
6	6337021	CANISTER BASE-F.B.COFFEE	1
7	6237063	NOZZLE-DISPENSING-CANISTER	2
8	6237095	AUGER & SHAFT ASSY-COFFEE	1
9	6237014	BEARING-CANISTER	1
10	6337020	CLIP-SPRIN	1
11	9900415	RETAINING RING REINF E TYP.156	--
12	6237116	WASHER-SEAL-WEAR PLATE	2
13	6337030	MIXING WHEEL ASSY-F.B.COFFEE	--
14	6237020	THUMPER SPRING-GROUND COFFEE	1

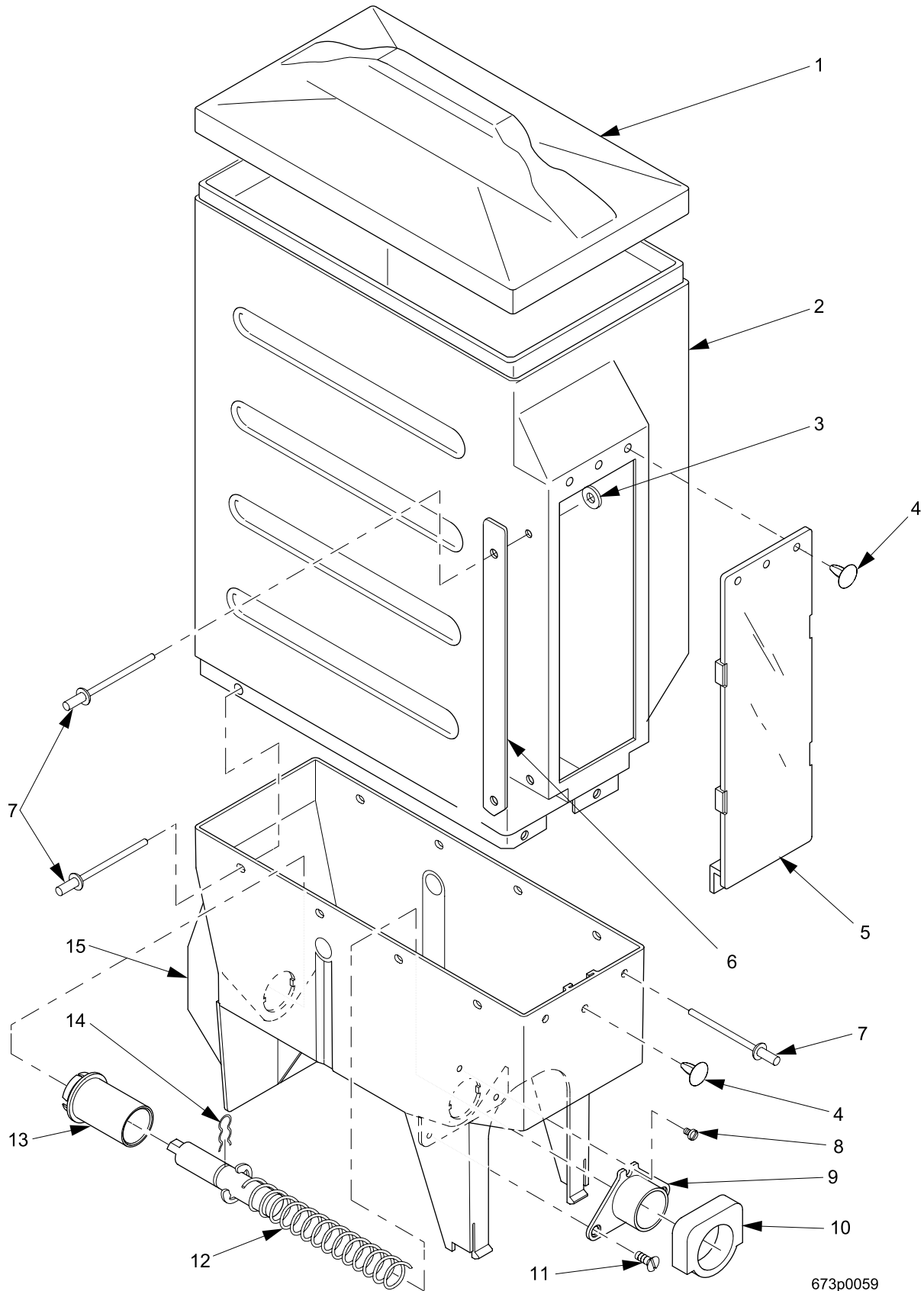


673p0064

FIGURE 53 CANISTER ASSEMBLY - DECAFFEINATED PRE-GROUND

TABLE 53 CANISTER ASSEMBLY - DECAFFEINATED PRE-GROUND

INDEX	PART NUMBER	DESCRIPTION	QTY
--	6337023	CANISTER ASSY-DECAF PRE-GND.	--
1	6237069	LID-CANISTER-DECAF COFFEE	1
2	6337025	SLEEVE-CAN.-PUNCHED-P/GND.DECF	1
3	6537026	ALUMINUM CAP RIVET-.187 DIA	12
4	6337032	SHAFT-CANISTER-COFFEE	1
5	6337021	CANISTER BASE-F.B.COFFEE	1
6	6237063	NOZZLE-DISPENSING-CANISTER	1
7	6237095	AUGER & SHAFT ASSY-COFFEE	1
8	6237014	BEARING-CANISTER	1
9	6337020	CLIP-SPRING	1
10	9900415	RETAINING RING REINF E TYP.156	--
11	6237116	WASHER-SEAL-WEAR PLATE	2
12	6337030	MIXING WHEEL ASSY-F.B.COFFEE	--
13	6237020	THUMPER SPRING-GROUND COFFEE	1



673p0059

FIGURE 54 CANISTER ASSEMBLY - COFFEE BEAN

TABLE 54 CANISTER ASSEMBLY - COFFEE BEAN

INDEX	PART NUMBER	DESCRIPTION	QTY
--	6237424	CANISTER ASSEMBLY-COF.BEAN W/O	
1	6237066	LID-CANISTER-COFFEE	1
2	6237065	SLEEVE-CANISTER-COFF BEAN	1
3	5220042	NYLON WASHER	4
4	6237053	FASTENER-PUSH IN	1
5	6237087	WINDOW INSERT-COF.BEAN CNSTR.	1
6	6237518	STIFFENER-HINGE PLATE	1
7	6537026	CLIP-SPRING	10
8	6237049	SCREW-#8-16X.25-SLTD-PHS	3
9	6237031	NOZZLE-COFFEE BEAN	1
10	6237288	GASKET-GRINDER	1
11	6237050	SCREW-#8-16X.44-SLTD-FLHD	2
12	6237095	AUGER & SHAFT ASSY-COFFEE	1
13	6237014	BEARING-CANISTER	1
14	6337020	CLIP-SPRING19	1
15	6237062	CANISTER BASE-COFFEE	1

TABLE 55 CANISTER ASSEMBLY - DECAF BEAN (NOT SHOWN)

INDEX	PART NUMBER	DESCRIPTION	QTY
--	6237421	CANISTER ASSY-DECAF BEAN	
1	6237069	LID-CANISTER-DECAF COFFEE	1
2	6237068	SLEEVE-CANISTER-DECAF COF.BEAN	1
3	6237517	HINGE PLATE-BEAN WINDOW	4
4	6237053	FASTENER-PUSH IN	1
5	6237087	WINDOW INSERT-COF.BEAN CNSTR.	1
6	6237518	STIFFENER-HINGE PLATE	1
7	6337020	CLIP-SPRING	10
8	6237049	SCREW-#8-16X.25-SLTD-PHS	1
9	6237031	NOZZLE-COFFEE BEAN	1
10	6237288	GASKET-GRINDER	1
11	6237050	SCREW-#8-16X.44-SLTD-FLHD	2
12	6237095	AUGER & SHAFT ASSY-COFFEE	1
13	6237014	BEARING-CANISTER	1
14	6337020	CLIP-SPRING19	1
15	6237064	CANISTER BASE-BEAN	1

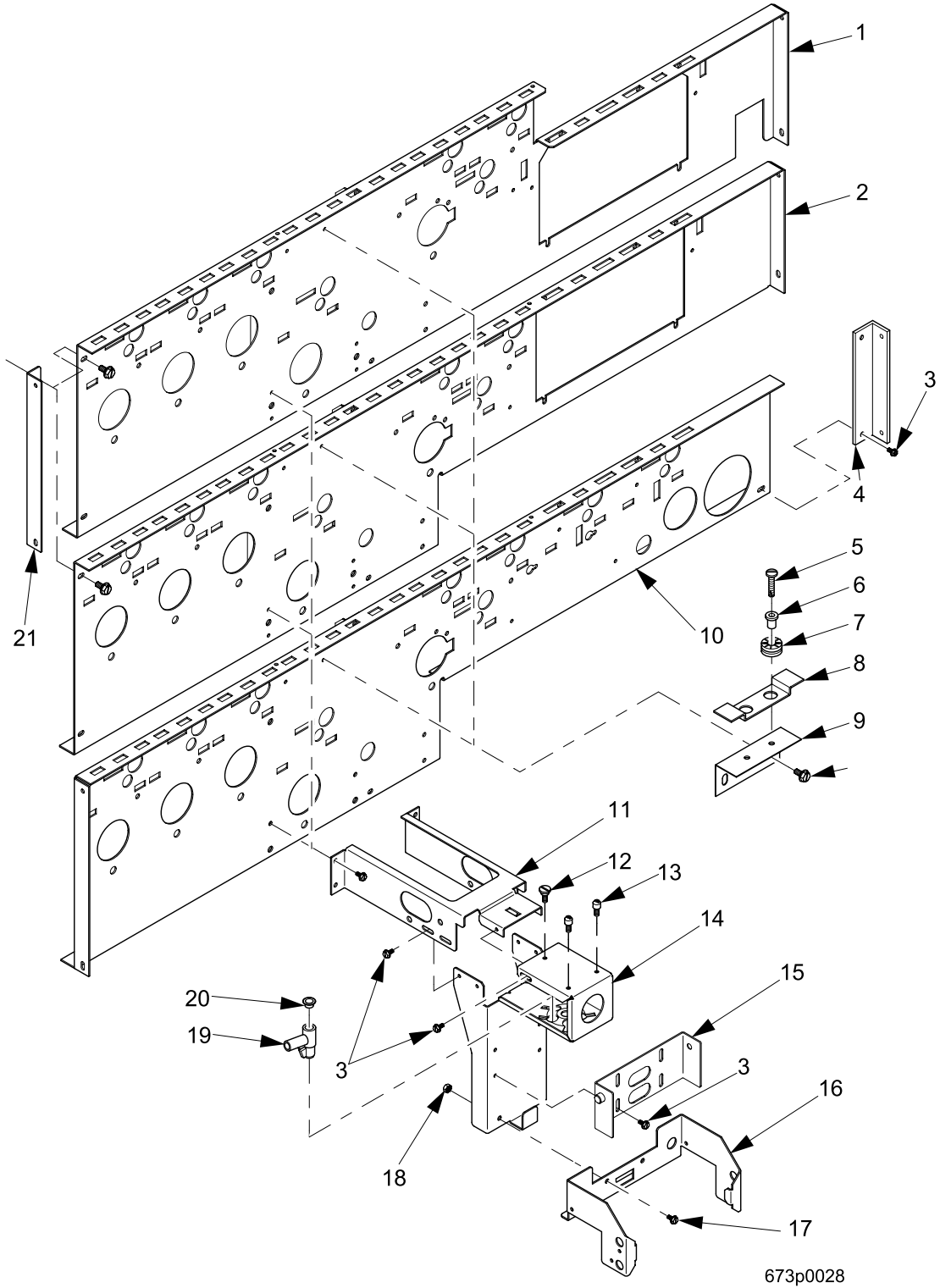


FIGURE 56 CANISTER SUPPORT ASSEMBLY - CUP STATION

TABLE 56 CANISTER SUPPORT ASSEMBLY - CUP STATION

INDEX	PART NUMBER	DESCRIPTION	QTY
1	6731005	CHNL.W/A-CAN.SUPPORT-DUAL GRD.	1
2	6731001	CHANNEL ASSY-CAN.SUPPORT	1
3	1451097	SCREW-#8-32X.31 HEX HD.TF-BLK.	8
4	6231033	BRACKET-CANISTER SUPPORT	1
5	3102447	8-32 X 3/4 PHS TYPE 23 T/C ZN	2
6	6237170	BUSHING-CANISTER	2
7	6237356	VIBRATION ISOLATOR-.375 DIA	2
8	6237174	SUPPORT-CANISTER FRONT	1
9	6337058	BRACKET-CANISTER FRONT	1
10	6551002	CHANNEL WELD ASSY-CNSTR SUP	1
11	6738002	SUPPORT-CUP STATION	1
12	4247204	STUD-STORAGE TRAY OPTIONAL (SEE FIGURE 57)	1
13	4041102	STUD-COLUMN LOCATOR OPTIONAL (SEE FIGURE 57)	2
14	6738001	SUPPORT-CUP STATION	1
15	3281074	MOUNTING ASSEMBLY-CUP STATION OPTIONAL (SEE FIGURE 58)	1
16	3281085	BRACKET-IR REMOT	1
17	1170206	SCREW-#8-32X3/8 PHILLIPS TRUSS HD.BLACK	2
18	9900081	NUT #8-32 KEPS ZINC PLATE	--
19	6117010	SPOUT DISPENSING	6
20	4711020	CAPLUG-SPOUT-NATR'L	6
21	4711020	BRACKET-CAAN.SUPPORT-LEFT	1

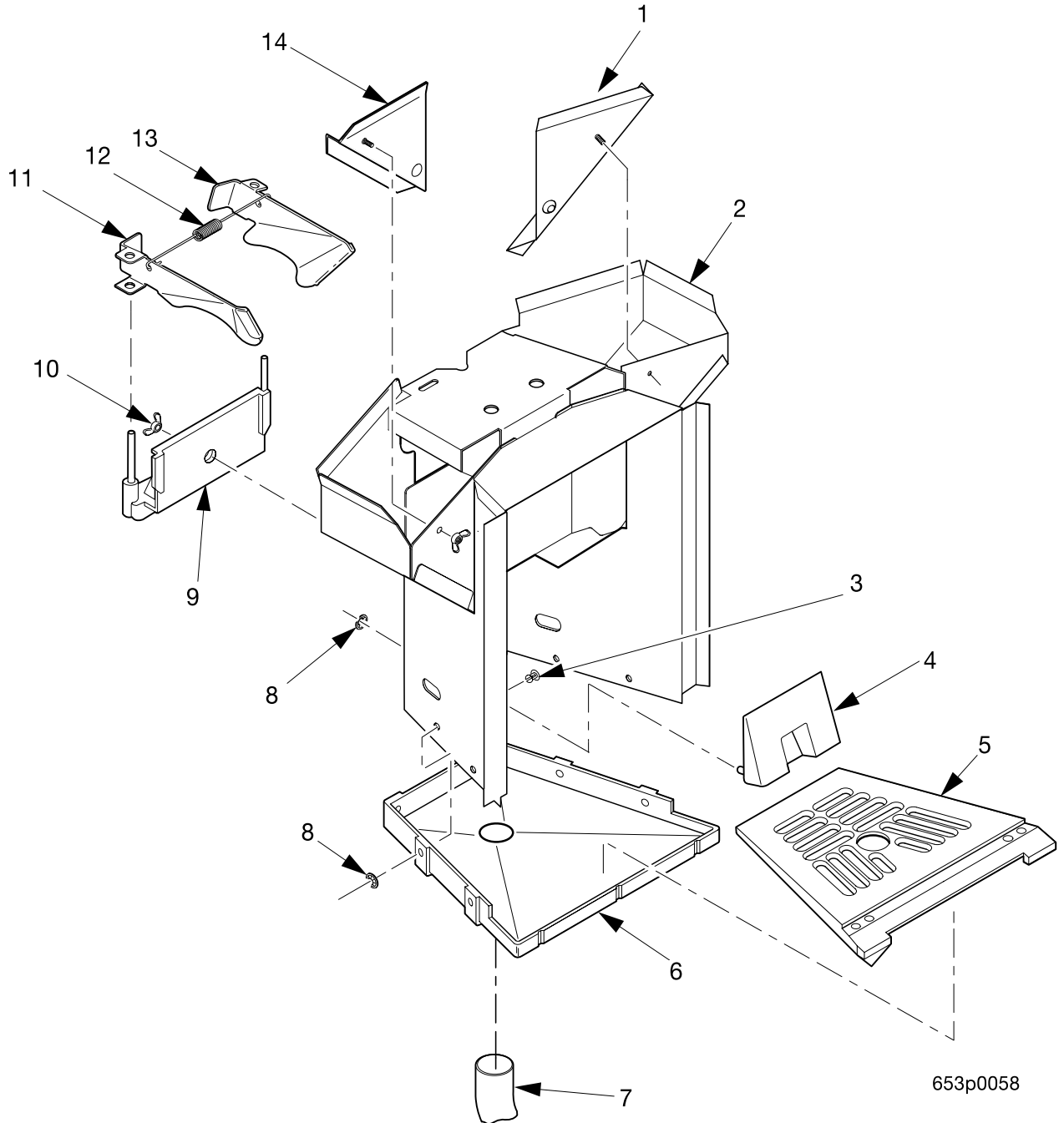


FIGURE 57 CUP DELIVERY ASSEMBLY

TABLE 57 CUP DELIVERY ASSEMBLY

INDEX	PART NUMBER	DESCRIPTION	QTY
-	6231544	CUP DELIVERY ASSEMBLY - SV	1
1	6231413	CHUTE ADAPTER ASSEMBLY - RIGHT (ARG./AUS./BRZ./FR./MEX./N.Z./S.A./SP./U.K./U.S.)	1
2	6231545	WELD ASSEMBLY - CUP DELIVERY - SV	1
3	6231492	PUSH-IN FASTENER	6
4	6231443	CUP SPACER/SENSOR LENS	1
5	6231432	DRAIN TRAY	1
6	6231489	BASE - CUP DELIVERY STATION	1
7	6231430	TUBE - DRAIN	1
8	6231431	RETAINER - .188	10
9	6231488	MOUNTING ASSEMBLY - CUP DEFLECTOR	1
10	3103133	WING NUT - #8-32 STAINLESS	1
11	6231438	CUP DEFLECTOR - R.H.	1
12	6231495	SPRING - CUP DEFLECTOR	1
13	6231439	CUP DEFLECTOR - L.H.	1
14	6231411	CHUTE ADAPTER ASSEMBLY - LEFT (ARG./AUS./BRZ./FR./MEX./N.Z./S.A./SP./U.K./U.S.)	1

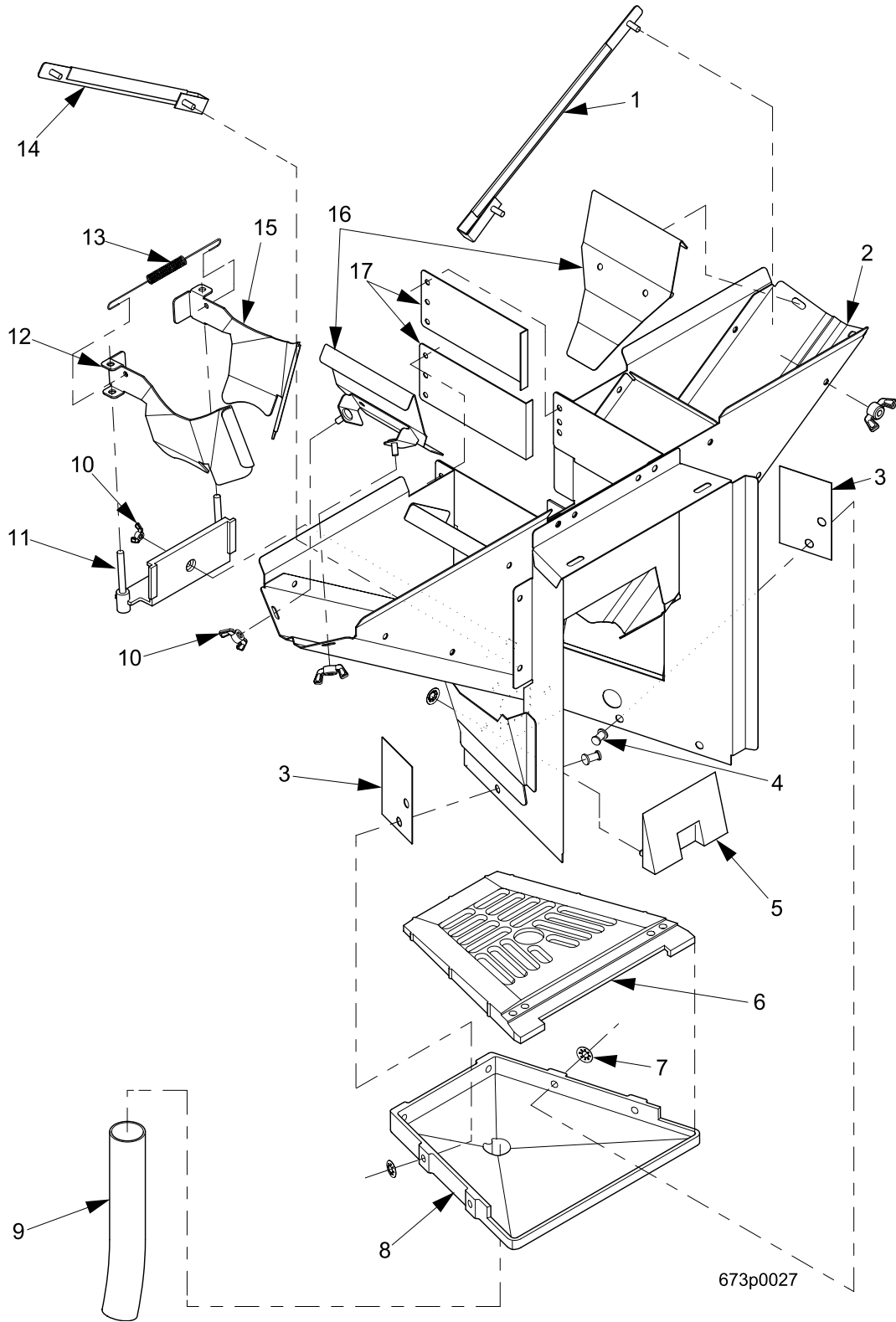
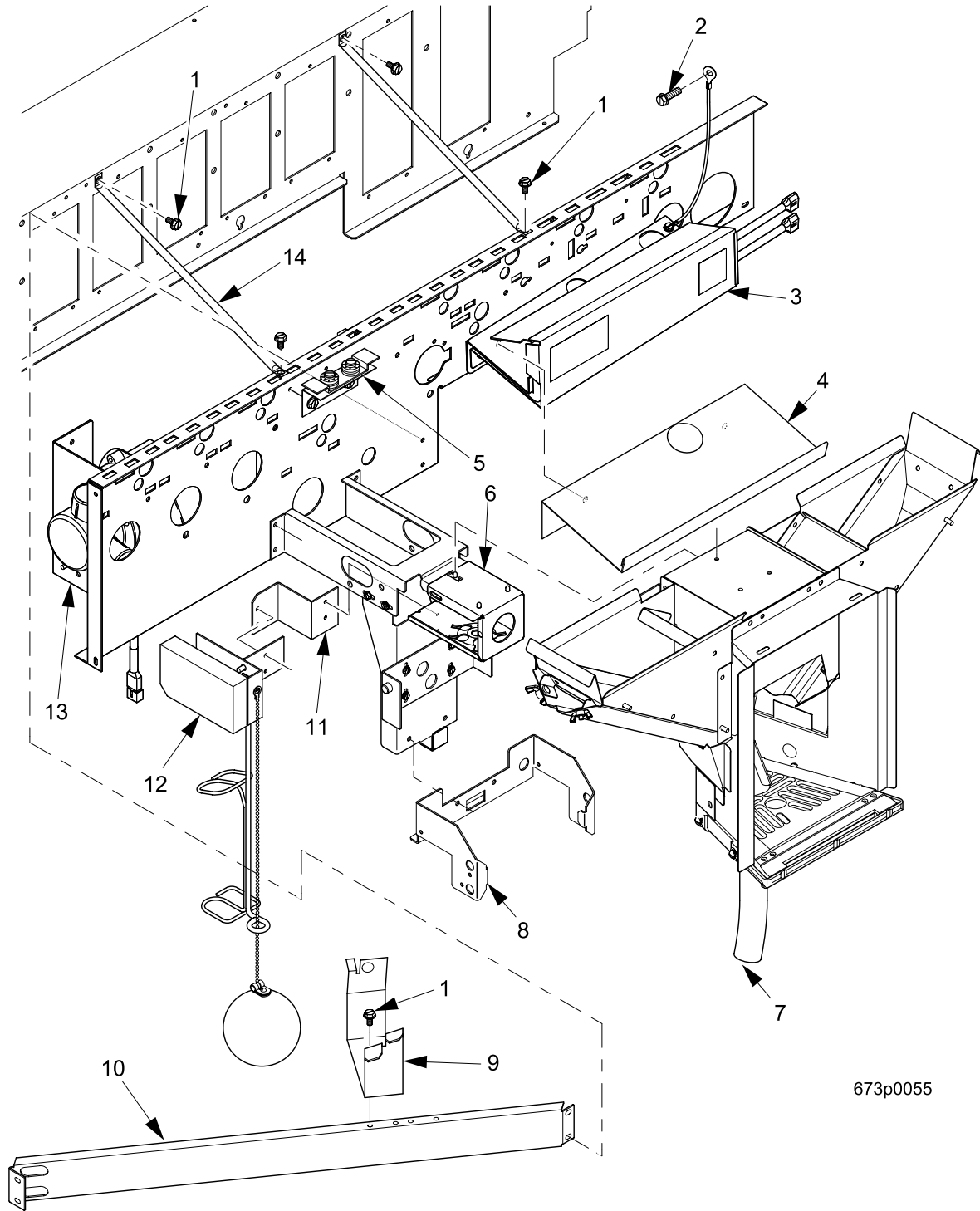


FIGURE 58 CUP DELIVERY ASSEMBLY - SUREVEND

TABLE 58 CUP DELIVERY ASSEMBLY - SUREVEND

INDEX	PART NUMBER	DESCRIPTION	QTY
1	6731045	GUIDE-CUP-CUPSTATION-LEFT	1
2	6231545	WELD ASSY-CUP DELIVERY-SV	1
3	3281084	GUARD-IR SPLASH	2
4	6231492	PUSH-IN FASTENER-CUP DELIVERY	8
5	6231443	CUP SPACER/SENSOR LENS	1
6	6231432	DRAIN TRAY-CUP DEL.COMP.	1
7	6231431	RETAINER-.188-CUP DEL.	10
8	6231489	BASE-CUP DELIVERY STATION	1
9	6231430	TUBE-DRAIN	1
10	3103133	WING NUT-#8-32 STAINLESS	9
11	6231488	MOUNTING ASSY-CUP DEFLECTOR	1
12	3283053	CUP DEFLECTOR-LEFT	1
13	6231495	SPRING-CUP DEFLECTOR	1
14	6731044	GUIDE-CUP-CUPSTATION-RIGHT	1
15	3283054	CUP DEFLECTOR-RIGHT	1
16	3283055	DEFLECTOR ASSEMBLY-CHUTE	2
17	6731030	SPACER-ADJUSTABLE	1

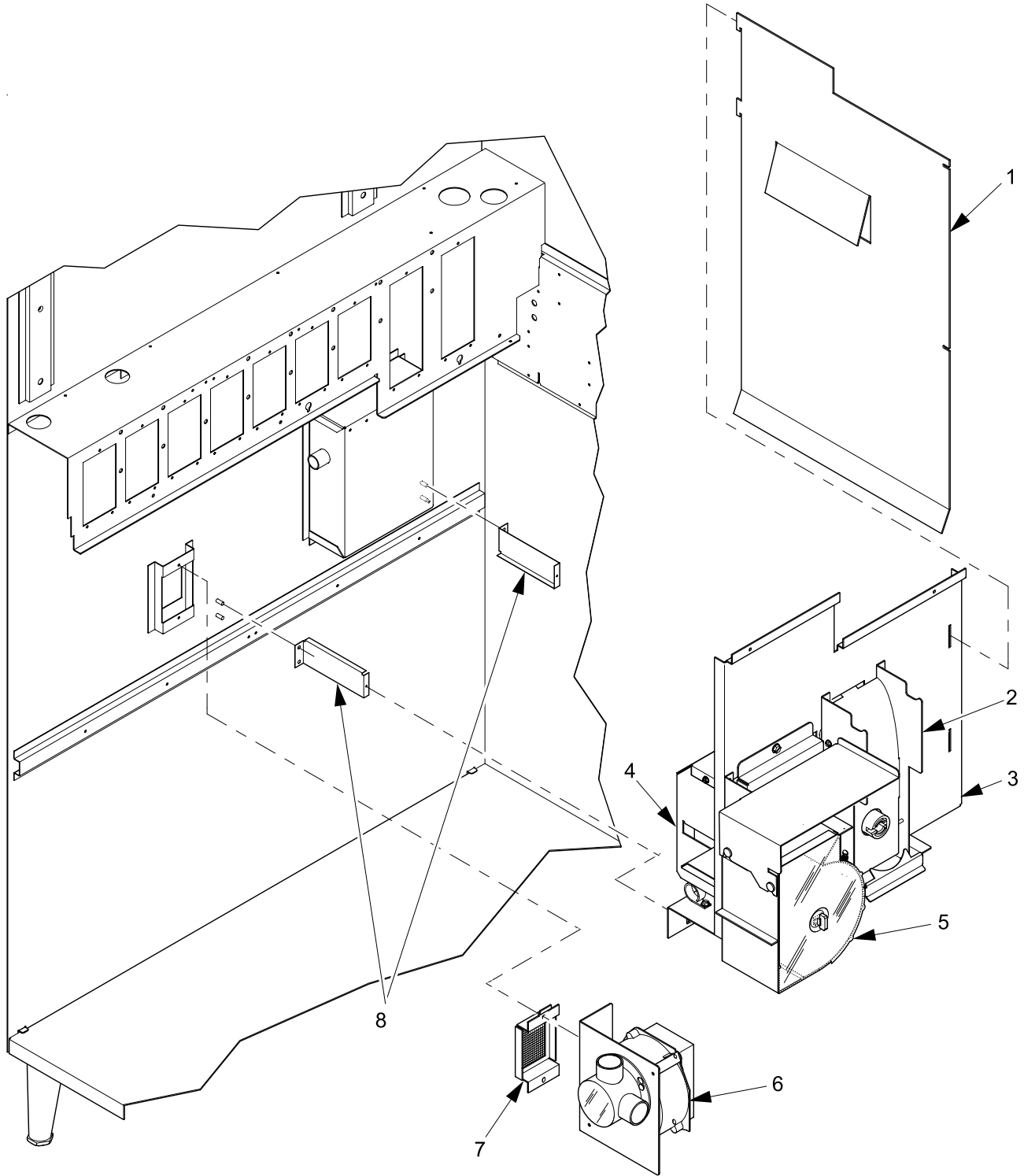


673p0055

FIGURE 59 CUP DELIVERY STATION AND MISCELLANEOUS CABINET PARTS

TABLE 59 CUP DELIVERY STATION AND MISCELLANEOUS CABINET PARTS

INDEX	PART NUMBER	DESCRIPTION	QTY
1	1451097	SCREW-#8-32X.31 HEX HD.TF-BLK.	--
2	3157060	SCREW-#8-32 X .31 HEX W/ HD. S	3
3	6361051	HEATER ASSEMBLY-115V/50W	--
4	6351005	BRACKET-TUBING RETAINER	1
5	6337057	CANISTER SUPPORT ASSY-LIGHTNER	1
6	6731047	SUPPORT ASSY-CUP STATION	1
7	6731025	CUP DELIVERY ASSY	1
8	3281085	BRACKET-IR REMOTE	1
9	6331009	BRACE-CANISTER SUPPORT-FB ONLY	1
10	6341007	BRACE-CANISTER SUPPORT	1
11	6738003	MOUNTING-OVERFLOW SWITCH ASSY.	1
12	6231223	OVERFLOW SWITCH ASSEMBLY	--
13	6331089	BRKT,BLOWER & COVER ASSY-110V	1
14	6231516	BRACE-CANISTER SUPPORT-UPPER	2

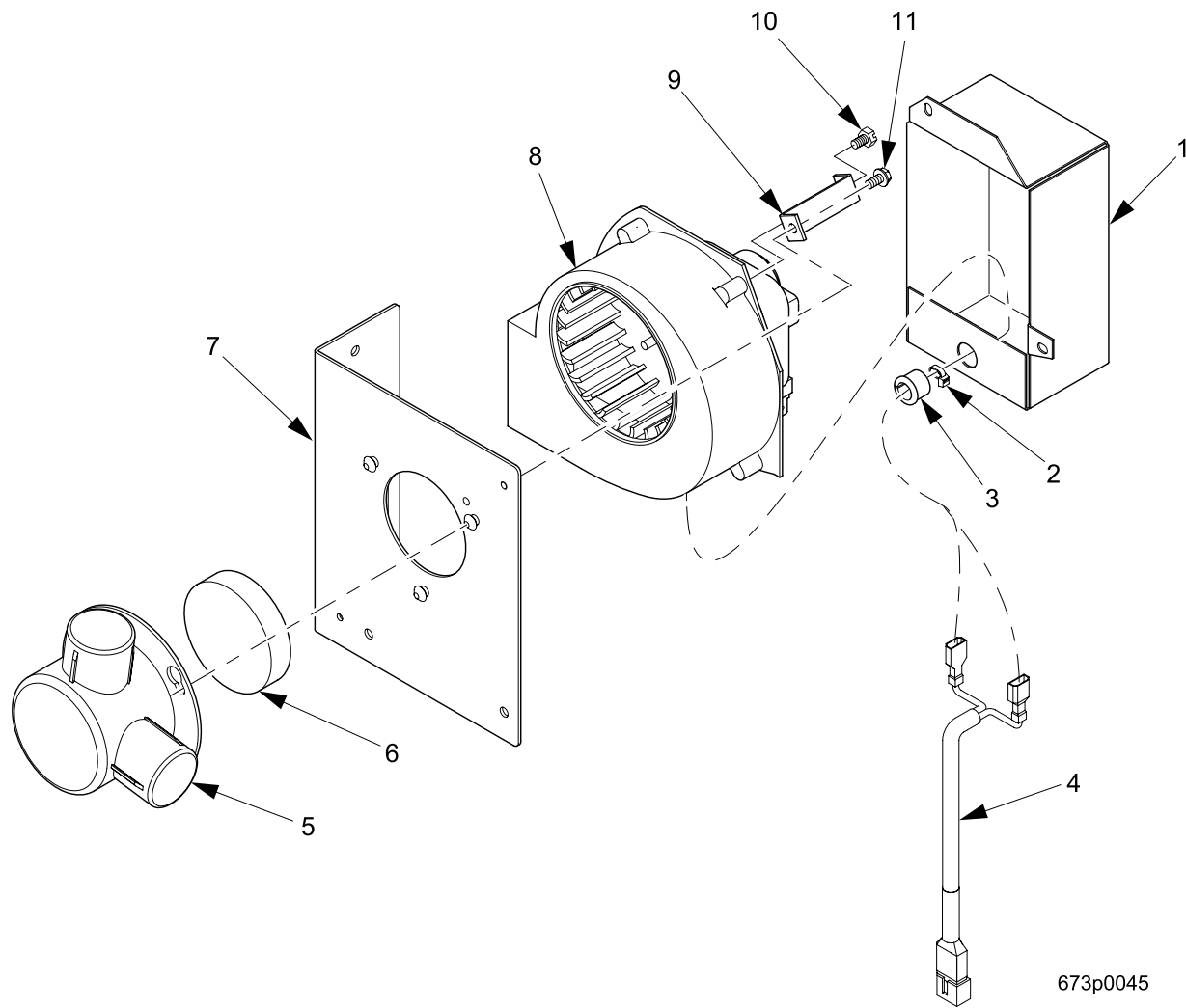


673p0069

FIGURE 60 FILTER PAPER AND BLOWER ASSEMBLY

TABLE 60 FILTER PAPER AND BLOWER ASSEMBLY

INDEX	PART NUMBER	DESCRIPTION	QTY
1	6731008	SHIELD-WATER-BREWER	1
2	6734024	BREWER DRIVE ASSY	1
3	6734008	PANEL-BREWER MOUNTING (SEE FIGURE 62)	1
4	6734025	PUMP ASSY-FINAL-115V	1
5	6404112	FILTER PAPER HOUSING ASSEMBLY	1
6	6331089	BRKT,BLOWER & COVER ASSY-110V	1
7	1471054	BRACKET & SCREEN ASSY-EXHAUST	1
8	6234516	BRACKET-MOUNTING PLATE NOTE: USED ONLY WITH DUAL GRINDER	2

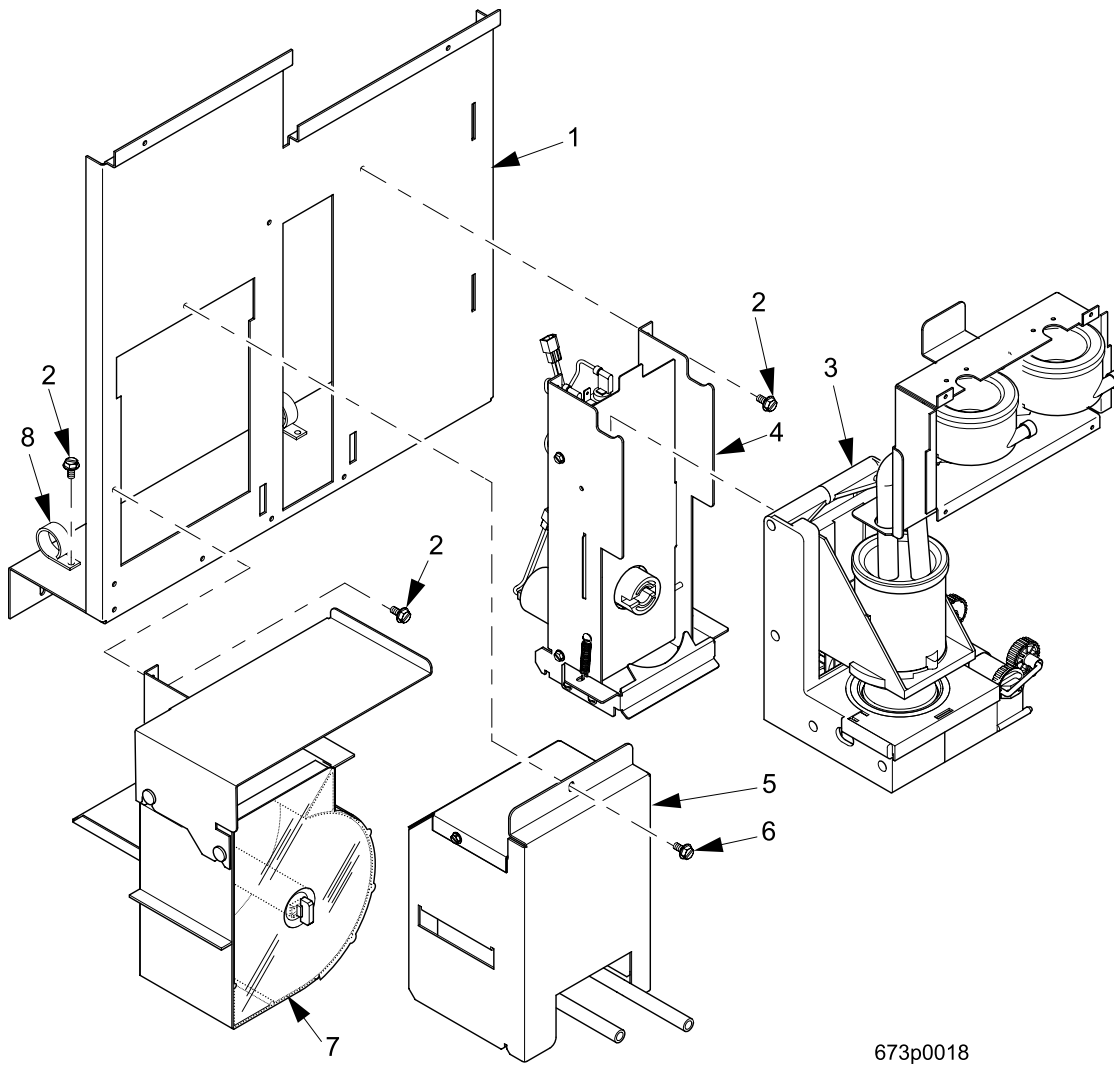


673p0045

FIGURE 61 BRACKET, BLOWER, AND COVER ASSEMBLY

TABLE 61 BRACKET, BLOWER, AND COVER ASSEMBLY

INDEX	PART NUMBER	DESCRIPTION	QTY
1	6231074	GUARD-BLOWER MOTOR	1
2	2204513	WIRE TIE-#PLT 1.5IM	1
3	3502097	BUSHING #OCB-500	1
4	9989676	JUMPER-BLOWER	1
5	6237342	HOUSING - EXHAUST BLOWER	1
6	6237340	FILTER-EXHAUST BLOWER	1
7	6231550	BRACKET ASSEMBLY - BLOWER MOUNTING	1
8	4312210	BLOWER ASSEMBLY - 120V	1
9	6231553	TIE DOWN - BLOWER ASSEMBLY	2
10	1437204	SCREW-#8-10X.38 HEX HD.TFG	--
11	1451097	SCREW-#8-32X.31 HEX HD.TF-BLK.	--



673p0018

FIGURE 62 FILTER PAPER - PUMP/BREWER DRIVE (LOCATION)

TABLE 62 FILTER PAPER - PUMP/BREWER DRIVE (LOCATION)

INDEX	PART NUMBER	DESCRIPTION	QTY
1	6734008	PANEL-BREWER MOUNTING	1
2	1451097	SCREW-#8-32X.31 HEX HD.TF-BLK.	8
3	6734065	BREWER ASSEMBLY-WITH FILTER (SEE FIGURE 43), (SEE FIGURE 66), (SEE FIGURE 67), AND (SEE FIGURE 47)	1
4	6734024	BREWER DRIVE ASSY (SEE FIGURE 65)	1
5	6734025	PUMP ASSY-FINAL-115V (SEE FIGURE 64)	1
6	3157060	SCREW-#8-32 X .31 HEX W/ HD. SLOTTED-T/F-ZINC PL	1
7	6404112	FILTER PAPER HOUSING ASSEMBLY (SEE FIGURE 63)	1
8	4305043	HARNESS CLIP-1.00	2

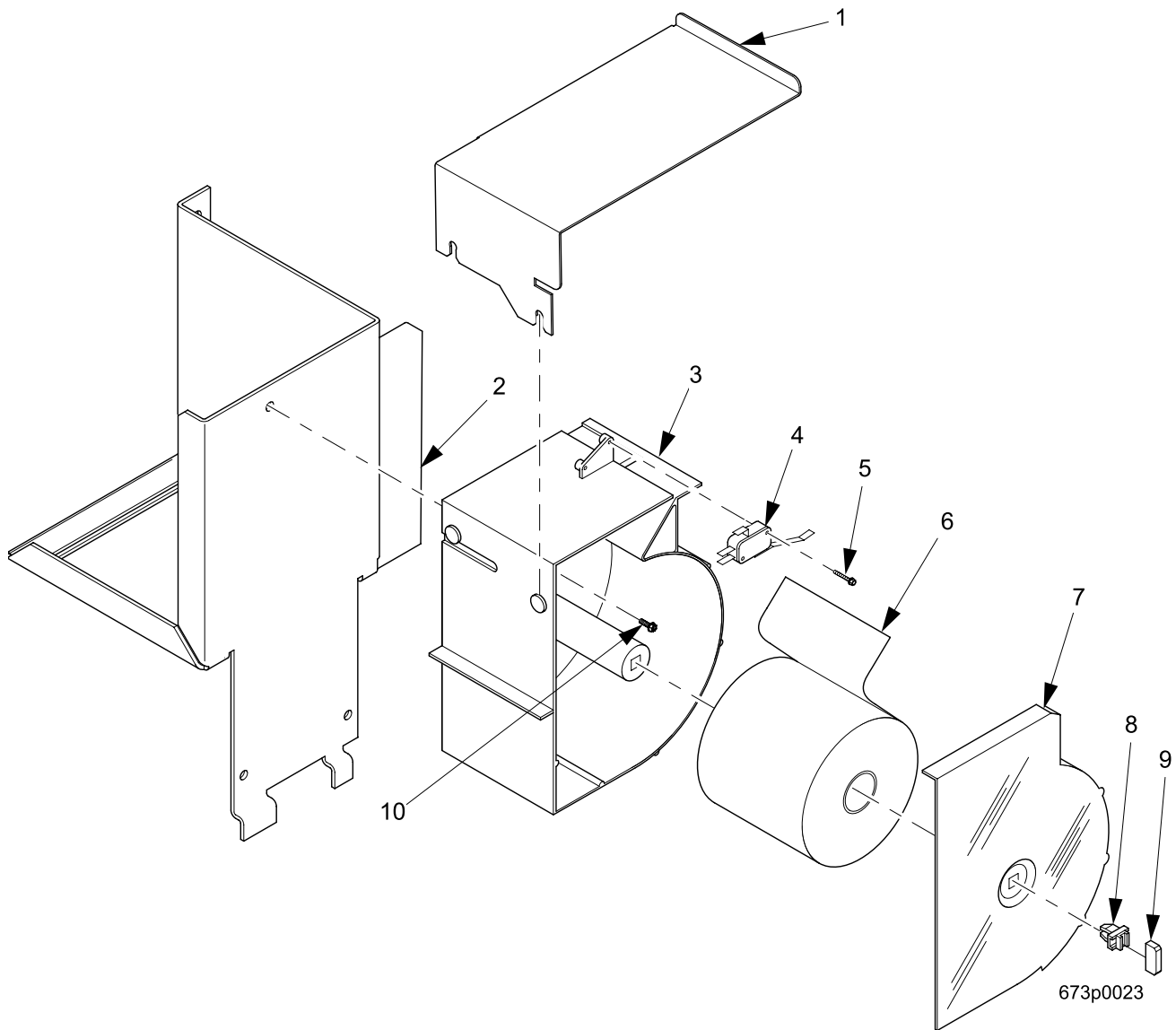
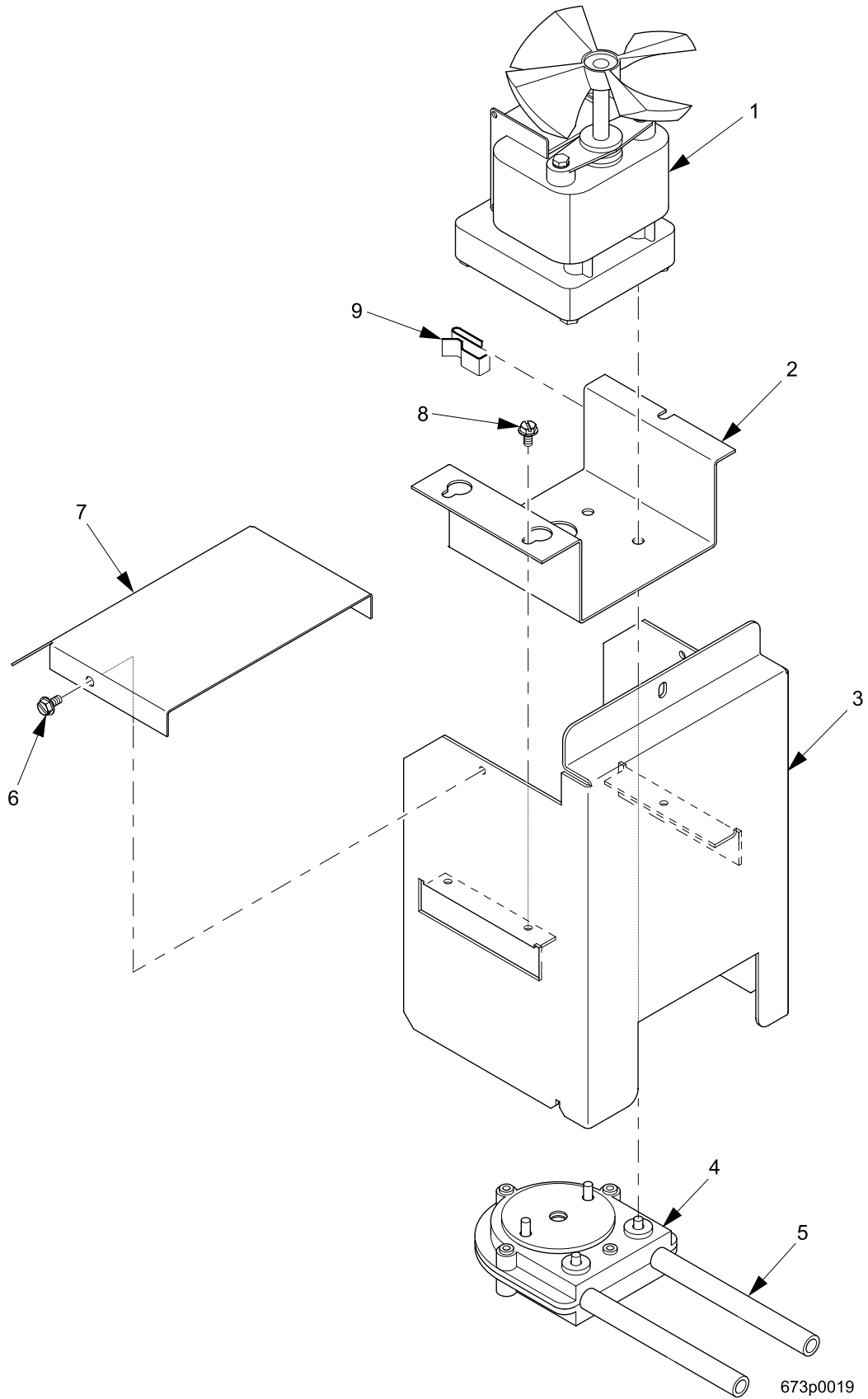


FIGURE 63 FILTER PAPER ASSEMBLY

TABLE 63 FILTER PAPER ASSEMBLY

INDEX	PART NUMBER	DESCRIPTION	QTY
1	6734015	SHIELD-FILTER PAPER	1
2	6734005	PLATE-PAPER MOUNTING	1
3	6844001	HOUSING-FILTER PAPER	1
4	3118011	SWITCH V3L-1260-D8	1
5	6238070	SCREW-#4-17X.62 HEX HD	2
6	6404043	PAPER-FILTER(27RLS/CS)GRADE318	1
7	6404054	COVER-PAPER HOUSING	1
8	6404060	LATCH-1/4 TURN	1
9	6404061	HANDLE-1/4 TURN	1
10	4741050	SCREW-#8-32 X .50 HX.HD.-T/F-BLK.	3

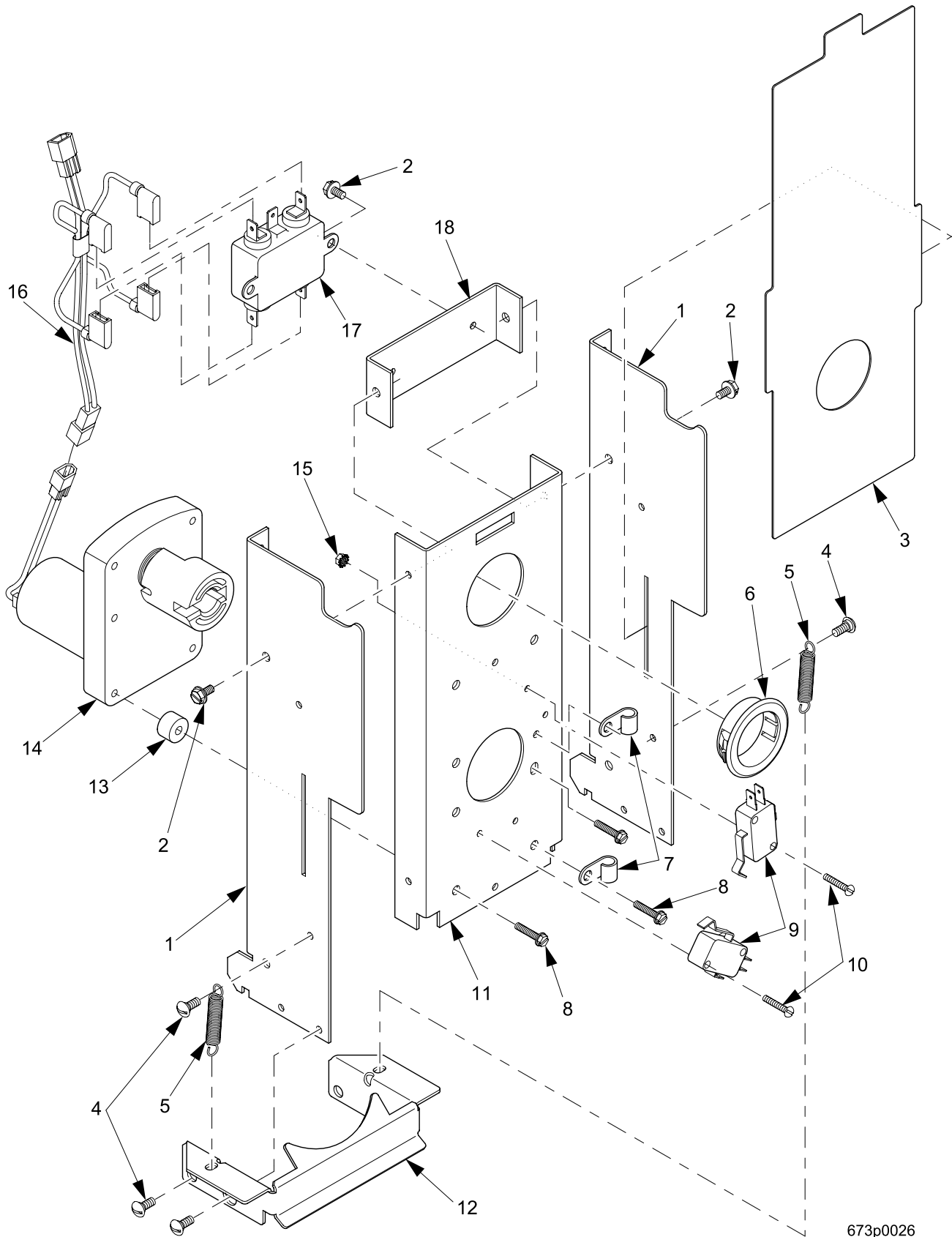


673p0019

FIGURE 64 PUMP ASSEMBLY - 115V

TABLE 64 PUMP ASSEMBLY - 115V

INDEX	PART NUMBER	DESCRIPTION	QTY
1	6734070	MOTOR-BREWER PUMP-115V	1
2	6844006	BRACKET-PUMP MOUNTING	1
3	6734007	MOUNTING-PUMP	--
4	6734072	PUMP ASSY-115V	1
5	6804055	TUBING-6404059-35.5"	1
6	1451097	SCREW-#8-32X.31 HEX HD.TF-BLK.	2
7	6734009	COVER-PUMP	1
8	3157060	SCREW-#8-32 X .31 HEX W/ HD. S	3
9	1212159	WIRE CLIP	1

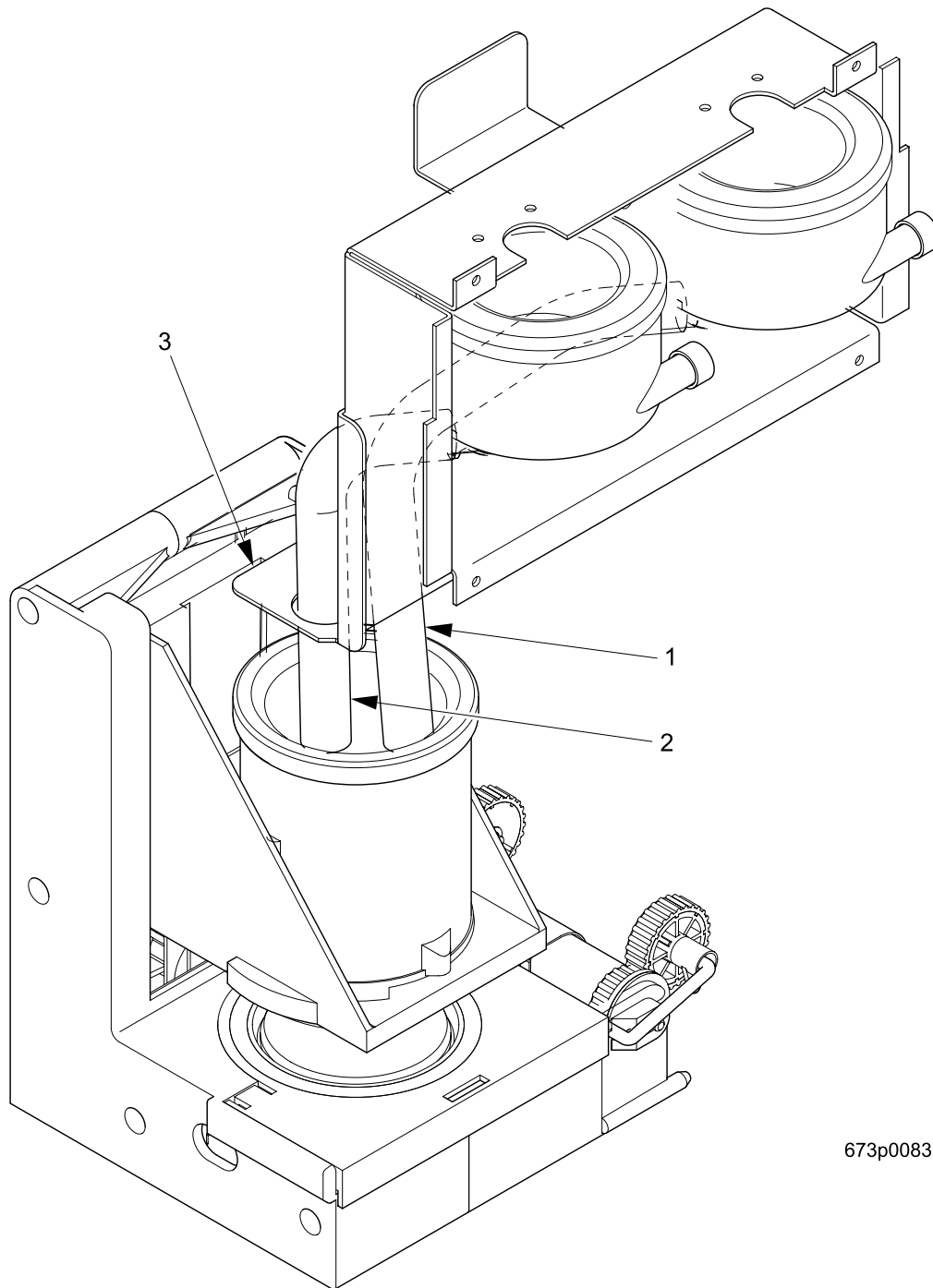


673p0026

FIGURE 65 BREWER DRIVE ASSEMBLY

TABLE 65 BREWER DRIVE ASSEMBLY

INDEX	PART NUMBER	DESCRIPTION	QTY
1	6734006	PLATE-BREWER MOUNTING	2
2	1451097	SCREW-#8-32X.31 HEX HD.TF-BLK.	8
3	6734003	COVER-BREWER SWITCHES-LONG	1
4	4027053	SCREW-GATE STOP	6
5	6404067	SPRING-EXTENSION	2
6	6106021	BUSHING #SB1500-21	1
7	1211161	CABLE CLAMP-RICHCO#N4	2
8	1457027	SCREW-#8-32 X .81 HEX HD.-T/F	4
9	5220108	SWITCH	2
10	1217160	4-40X5/8 RHS M SCREW Z/Y	4
11	6734004	MOUNTING-BREWER DRIVE	1
12	6734011	LATCH-BREWER	1
13	4302134	SPACER-P.C.BOARD	4
14	6404009	MOTOR & CYCLE CAM ASSY	1
15	1217159	4-40 KEPS W/EXT L/WAS H ZP	4
16	6889000	HARNESS-BREWER MOTOR FILTER	1
17	9989100	INTERFERENCE FILTER	1
18	6881040	BRACKET-FILTER MOUNTING	1



673p0083

FIGURE 66 BREWER ASSEMBLY WITH HOSES AND MIXING BOWL

TABLE 66 BREWER ASSEMBLY WITH HOSES AND MIXING BOWL

INDEX	PART NUMBER	DESCRIPTION	QTY
1	6734013	HOSE-BREWER-COFFEE	1
2	6734020	HOSE-BREWER-DECAF	1
3	6734014	RETAINER-HOSE-BREWER	1
--	6734019	RETAINER-HOSE-BREWER-SGL.FB (NOT SHOWN)	1
--	6734016	RETAINER-HOSE-BREWER-D.G. (NOT SHOWN)	1
--	6734021	HOSE-BREWER-COFFEE-DUAL FBG. (NOT SHOWN)	1
--	6734022	HOSE-BREWER-DECAF-DUAL FBG (NOT SHOWN)	1

TABLE 67 BREWER ASSEMBLY WITH FILTER

INDEX	PART NUMBER	DESCRIPTION	QTY
1	6734057	BREWER ASSEMBLY	1
2	6404113	GUIDE-PAPER	1
3	6404108	IDLER AXLE & ROLLER ASSY-RIGHT	--
4	6404114	RETAINER-IDLER AXIS	2
5	4277042	SCREW-#8-10 X.5 T/F-PHS	3
6	6734052	HOUSING-PAPER DRIVE (NOTE: THIS PART IS TO BE FREE FROM OIL AND DIRT)	1
7	6734066	SPACER-.375ID X.192 OD X.156LG	1
8	6404024	GEAR-DRIVE-PAPER	1
9	6234603	ROLLER DRIVE-PAPER MECH.	1
10	6734078	DEFLECTOR-FILTER PAPER-RIGHT	1
11	6234620	ROLLER END CAP-PAPER MECH	4
12	6404026	ROLLER-EXTRUSION PAPER	1
13	6734077	DEFLECTOR-FILTER PAPER-LEFT	1
14	6404025	SHAFT-PAPER DRIVE	1
15	6404107	IDLER AXLE & ROLLER ASSY-LEFT	--
16	6734076	GUIDE-PAPER ASSY	1

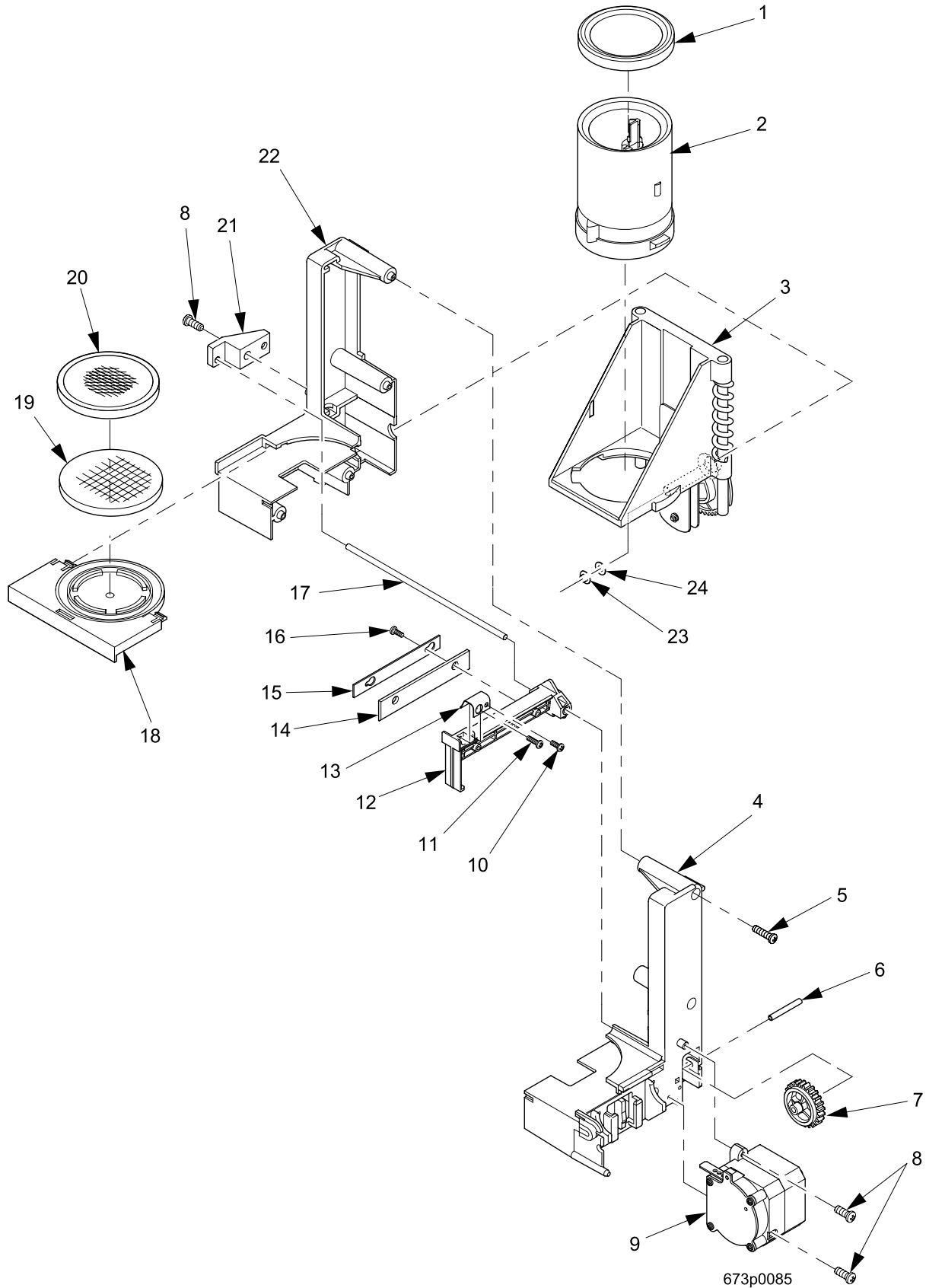
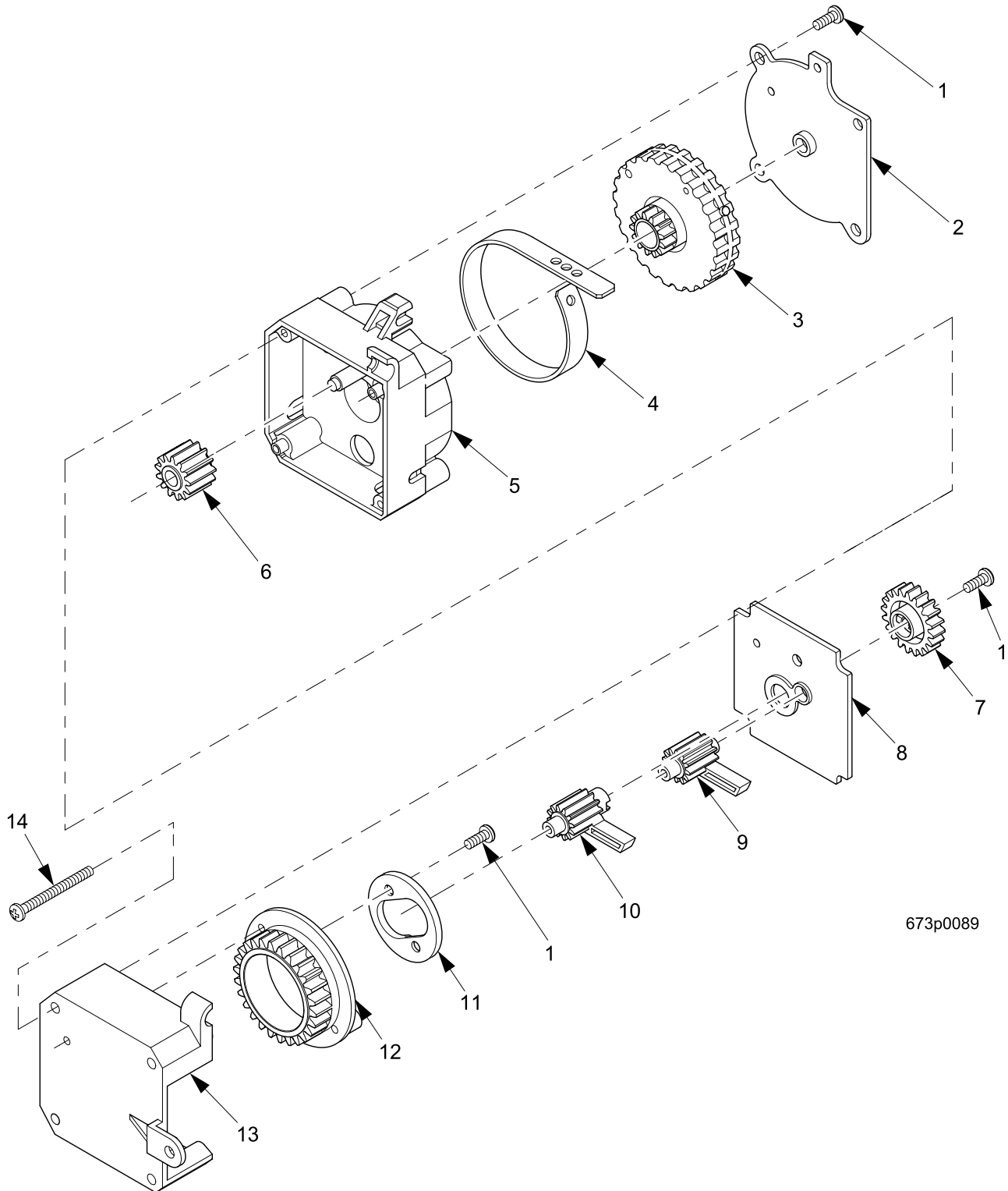


FIGURE 68 BREWER ASSEMBLY WITHOUT FILTER

TABLE 68 BREWER ASSEMBLY WITHOUT FILTER

INDEX	PART NUMBER	DESCRIPTION	QTY
--	6734064	BREWER ASSEMBLY WITHOUT FILTER	--
1	6404031	LID-CYLINDER	1
2	6404004	CYLINDER-BREWER	1
3	6734053	CARRIER & CAM FOLLOWER ASSY (SEE FIGURE 70)	1
4	6734058	HOUSING-BREWER-RIGHT SIDE	1
5	1572242	SCREW-#8-18 X.75 PLASTITE HHS	4
6	6404023	AXLE-INDEX GEAR	1
7	6404022	GEAR-PAPER INDEX PINION	1
8	4277042	SCREW-#8-10 X.5 T/F-PHS	3
9	6734030	GEAR TRAIN ASSY.-REVERSER MECH	1
10	4747171	SCREW-#6-19 X .38 PHIL.PHS-T/C	1
11	1577008	SCREW-#6-19 X.50 PLASTITE PHS	1
12	6734067	HOUSING & BEARING ASSEMBLY	1
13	6734047	SPRING-GUIDE	1
14	6734049	SQUEEGEE-BREWER	1
15	6734048	RETAINER-SQUEEGEE	1
16	4747171	SCREW-#6-19 X .38 PHIL.PHS-T/C	2
17	6734050	SHAFT-SQUEEGEE-HOUSING	1
18	6734060	HOUSING-SCREEN & SEAL	1
19	6734068	SCREEN-SUPPORT	1
20	6734061	SEAL & SCREEN ASSEMBLY	1
21	6734051	HOUSING-SQUEEGEE-SHAFT	1
22	6734059	HOUSING-BREWER-LEFT SIDE	1
23	6134042	WASHER 1X.390X22GA TYPE 304 SS	1
24	4047012	SHOULDER BUSHING	1



673p0089

FIGURE 69 GEAR TRAIN ASSEMBLY

TABLE 69 GEAR TRAIN ASSEMBLY

INDEX	PART NUMBER	DESCRIPTION	QTY
--	6734030	GEAR TRAIN ASSY.-REVERSER MECH	--
1	4747171	SCREW-#6-19 X .38 PHIL.PHS-T/C	7
2	6734031	COVER-HOUSING-SPROCKET	1
3	6734032	SPROCKET-BELT-DRIVE	1
4	6734033	BELT	1
5	6734034	HOUSING-SPROCKET	1
6	6734035	GEAR-.65DP-13 TEETH-20DP	1
7	6734036	GEAR-1PD-20 TEETH-20DP	1
8	6734037	PLATE-HOUSING-CENTER	1
9	6734038	LINK-FOLLOWER-.5PD-12TEETH-24P	1
10	6734039	LINK-OUTPUT-.5PD-12TEETH-24PD	1
11	6734040	RETAINER-GEAR	1
12	6734041	GEAR-DRIVER	1
13	6734042	HOUSING-GEAR-DRIVER	1
14	6734043	SCREW-#6-19 X 1.50LG-PHILLIPS-	4

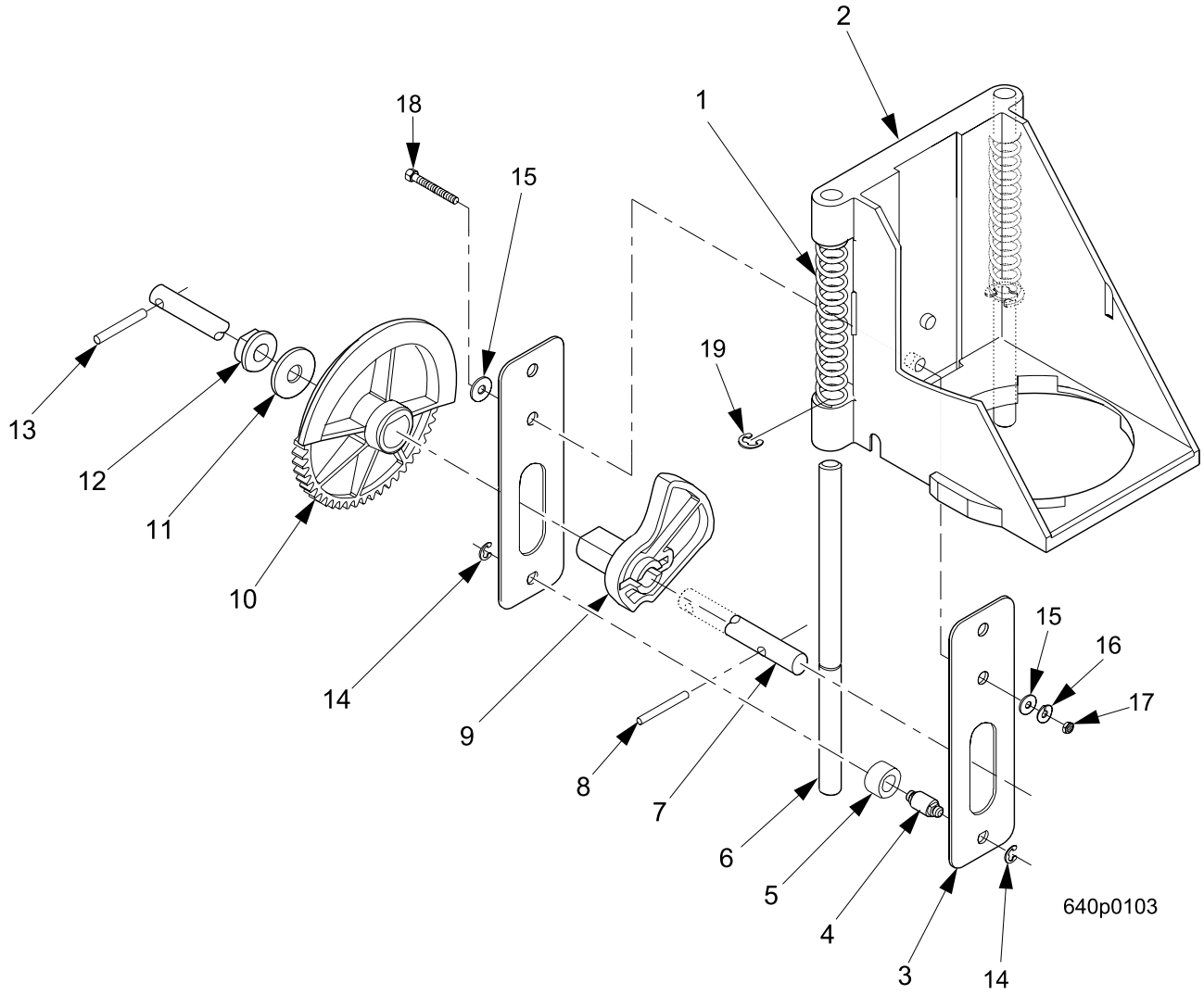


FIGURE 70 CARRIER AND CAM FOLLOWER ASSEMBLY

TABLE 70 CARRIER AND CAM FOLLOWER ASSEMBLY

INDEX	PART NUMBER	DESCRIPTION	QTY
--	6734053	CARRIER & CAM FOLLOWER ASSY	--
1	6404017	SPRING-CARRIER	2
2	6734055	CARRIER-CYLINDER	1
3	6404019	PLATE-CAM FOLLOWER	2
4	6404073	SHAFT-CAM FOLLOWER	1
5	6404074	ROLLER-CAM FOLLOWER	1
6	6734054	SHAFT-CARRIER BEARING	2
7	6404013	SHAFT-CAM	1
8	4047061	ROLL PIN-1/8X1 1/8	1
9	6734056	CAM-CYLINDER CARRIER	1
10	6404015	GEAR-PAPER INDEX DRIVE	1
11	6134042	WASHER 1X.390X22GA TYPE 304 SS	1
12	4047012	SHOULDER BUSHING	1
13	6133157	ROLL PIN 3/16 X 1	1
14	6104220	RETAIN RING TRUARC 5133-18H SS	2
15	6404034	WASHER-.687 O.D. X .265 I.D. X .050	2
16	6404035	LOCK WASHER-SPLIT	1
17	6134160	NUT # 1/4-20 HEX	1
18	6404033	SCREW-1/4-20 X 1 HEX HD.	1
19	6404036	RET.RING-REINF.E TYPE-.375	2

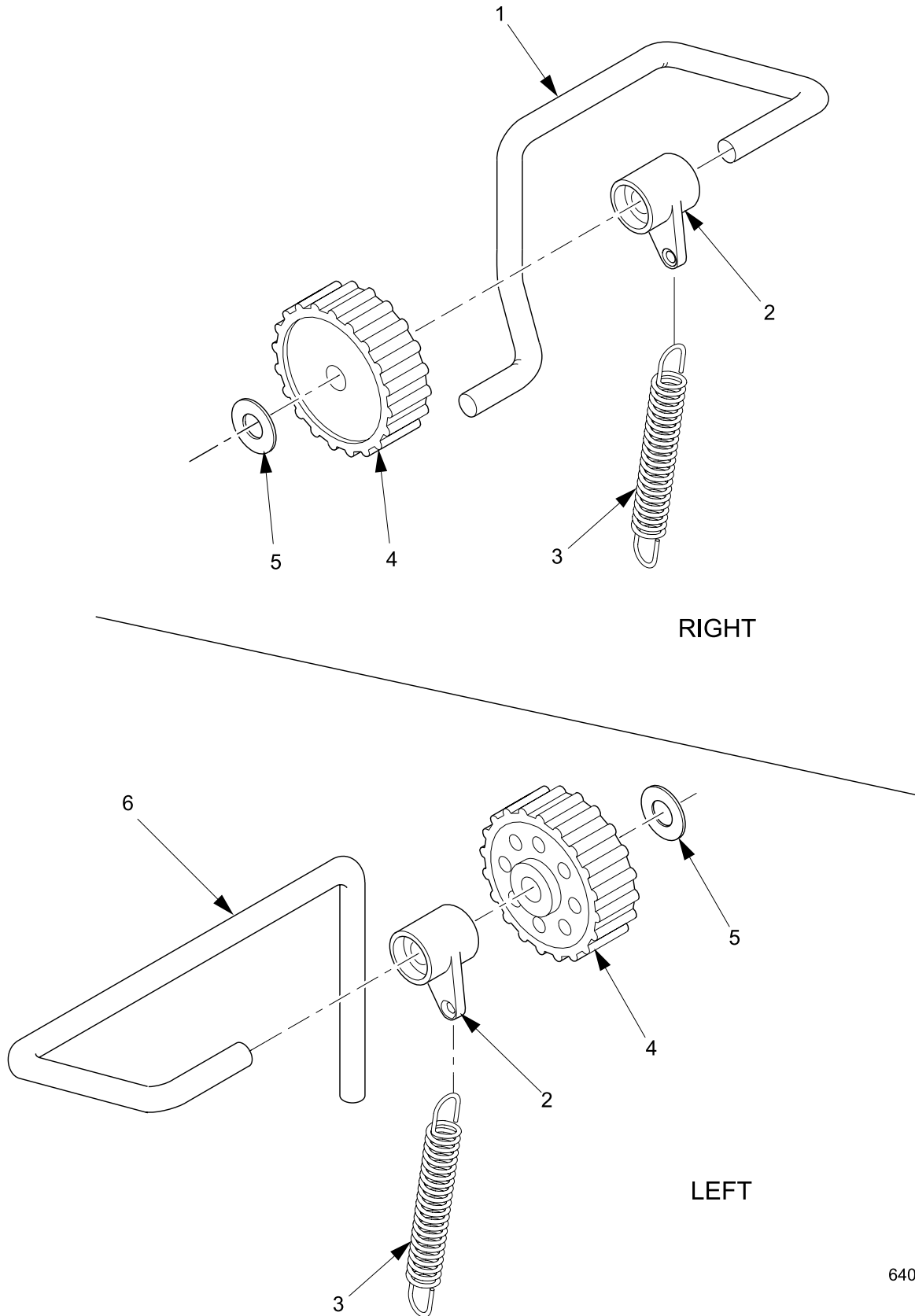


FIGURE 71 IDLE AXLE AND ROLLER ASSEMBLY

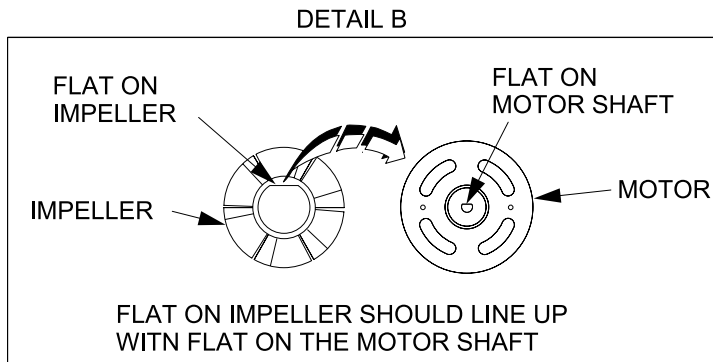
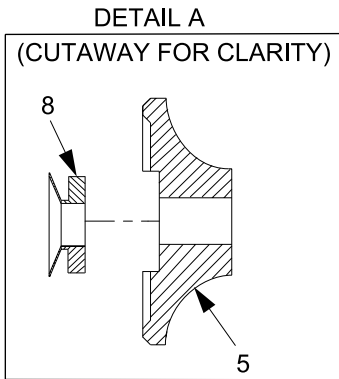
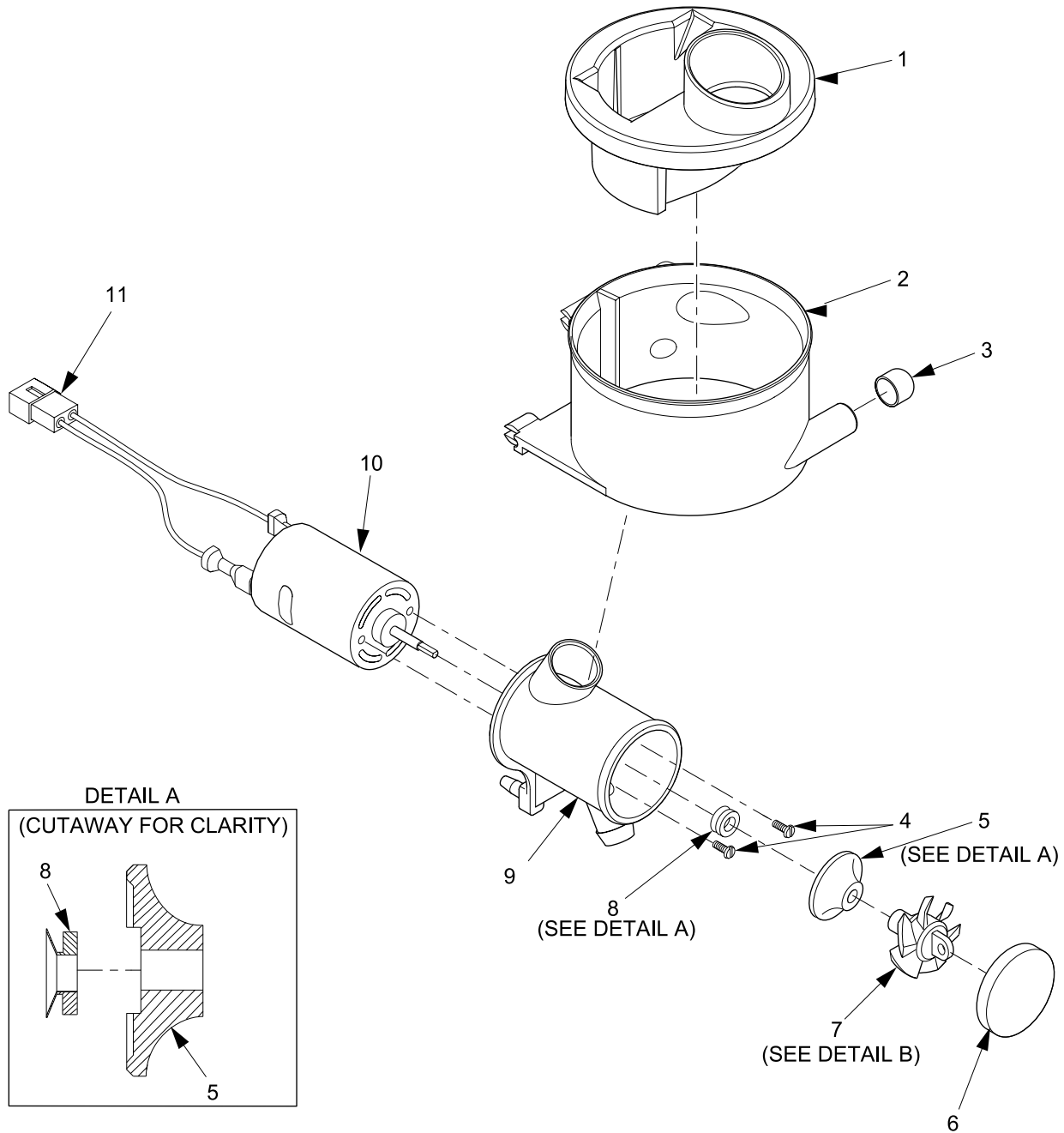
640p0092

TABLE 71A IDLE AXLE AND ROLLER ASSEMBLY - RIGHT

INDEX	PART NUMBER	DESCRIPTION	QTY
--	6404108	IDLE AXLE AND ROLLER ASSEMBLY - RIGHT	--
1	6404096	AXLE-IDLER ROLLER-RT.	1
2	6404030	TOGGLE-SPRING	1
3	6404067	SPRING-EXTENSION	1
4	6404098	DRIVE/IDLER-PAPER DRIVE	1
5	6404027	RETAINER-GROOVLESS	1

TABLE 71B IDLE AXLE AND ROLLER ASSEMBLY - LEFT

INDEX	PART NUMBER	DESCRIPTION	QTY
--	6404107	IDLE AXLE AND ROLLER ASSEMBLY - LEFT	--
2	6404030	TOGGLE-SPRING	1
3	6404067	SPRING-EXTENSION	1
4	6404098	DRIVE/IDLER-PAPER DRIVE	1
5	6404027	RETAINER-GROOVLESS	1
6	6404095	AXLE-IDLER ROLLER-LT.	1

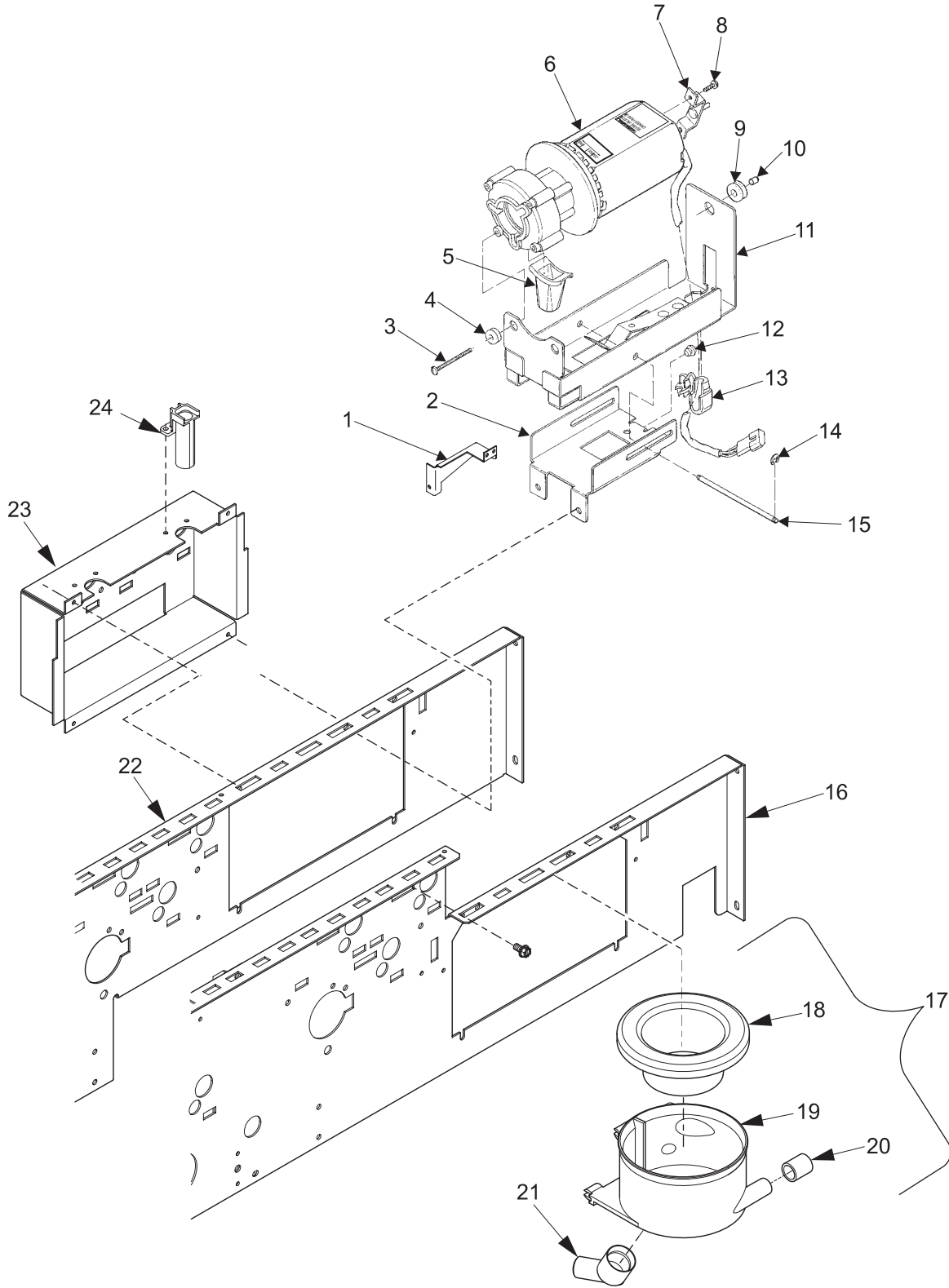


673p0038

FIGURE 72 WHIPPER ASSEMBLY

TABLE 72 WHIPPER ASSEMBLY

INDEX	PART NUMBER	DESCRIPTION	QTY
1	6537019	VENT & DIVIDER ASSY	1
2	6537030	MIXING BOWL	1
3	6237306	VINYL CAP-.38 I.D.	1
4	6237119	SCREW-M3XL.5-6GX6MM-SPH	2
5	6237192	SPACER-WHIPPER	1
6	6337085	COVER-WHIPPER	1
7	6237194	IMPELLER-WHIPPER	1
8	6237110	V RING-SHAFT SEAL	1
9	6237193	HOUSING-WHIPPER	1
10	6237111	MOTOR-WHIPPER-24V DC	1
11	6237157	HARNESS-WHIPPER MOTOR	1
--	6337076	HARNESS-WHIPPER MOTOR - INCLUDES ITEMS 1, 2, 3, 4 (NOT SHOWN)	1
--	6337078	MIXING BOWL ASSY-P & NO S - INCLUDES ITEMS 1, 2, 3 (NOT SHOWN)	1
--	6337079	MIXING BOWL ASSY-NO P & NO S - INCLUDES ITEMS 1, 2 (NOT SHOWN)	1



673p0073

FIGURE 73 FRESH BREW MIXING BOWL ASSEMBLY - WITH CAP AND SPOUT

TABLE 73 FRESH BREW MIXING BOWL ASSEMBLY - WITH CAP AND SPOUT

INDEX	PART NUMBER	DESCRIPTION	QTY SINGLE GRINDER	QTY DUAL GRINDER
--	6777000	GRINDER ASSY-COFFEE (SEE FIGURE 74)	1	2
1	6737003	SUPPORT-GRINDER-RIGHT	1	0
	6737004	SUPPORT-GRINDER-LEFT (NOT SHOWN)	1	1
2	6777001	BRACKET ASSY-GRINDER SHELF	1	2
3	6237214	SCREW-#4-40X1.5 PHS W/LW	2	4
4	6237030	GROMMET-5/32	2	4
5	6237252	CHUTE-GRINDER	1	2
6	6237202	GRINDER ASSY-BEAN	1	2
7	6737002	MOUNTING-GRINDER	1	2
8	9900138	SCREW #8-32 X 1/4 PHS W/LKW	1	2
9	6237213	GROMMET-3/16	1	2
10	6237381	COVER-GRINDER SHAFT	1	2
11	6237377	GRINDER BRACKET ASSEMBLY	1	2
12	6224010	PLUG-BUMPER	1	2
13	7101028	HEYCO RIGHT ANGLE	1	2
14	9900418	RETAINING RING REINF E TYP.187	1	2
15	6237221	SHAFT-GRINDER BRACKET	1	2
16	6731005	CHNL.W/A-CAN.SUPPORT-DUAL GRD.	--	1
17	6737010	MIXING BOWL ASSY-P & FB S	2	2
18	6237313	VENT-BOWL	2	2
19	6537030	MIXING BOWL	2	2
20	6237306	VINYL CAP-.38 I.D.	2	2
21	6737008	SPOUT-MIXING BOWL-ANGLE	2	2
22	6731001	CHANNEL ASSY-CAN.SUPPORT	1	0
23	6734017	MOUNTING-MIXING BOWLS	1	1
24	6737007	SEAL-COFFEE CHUTE-GRINDER	1	2

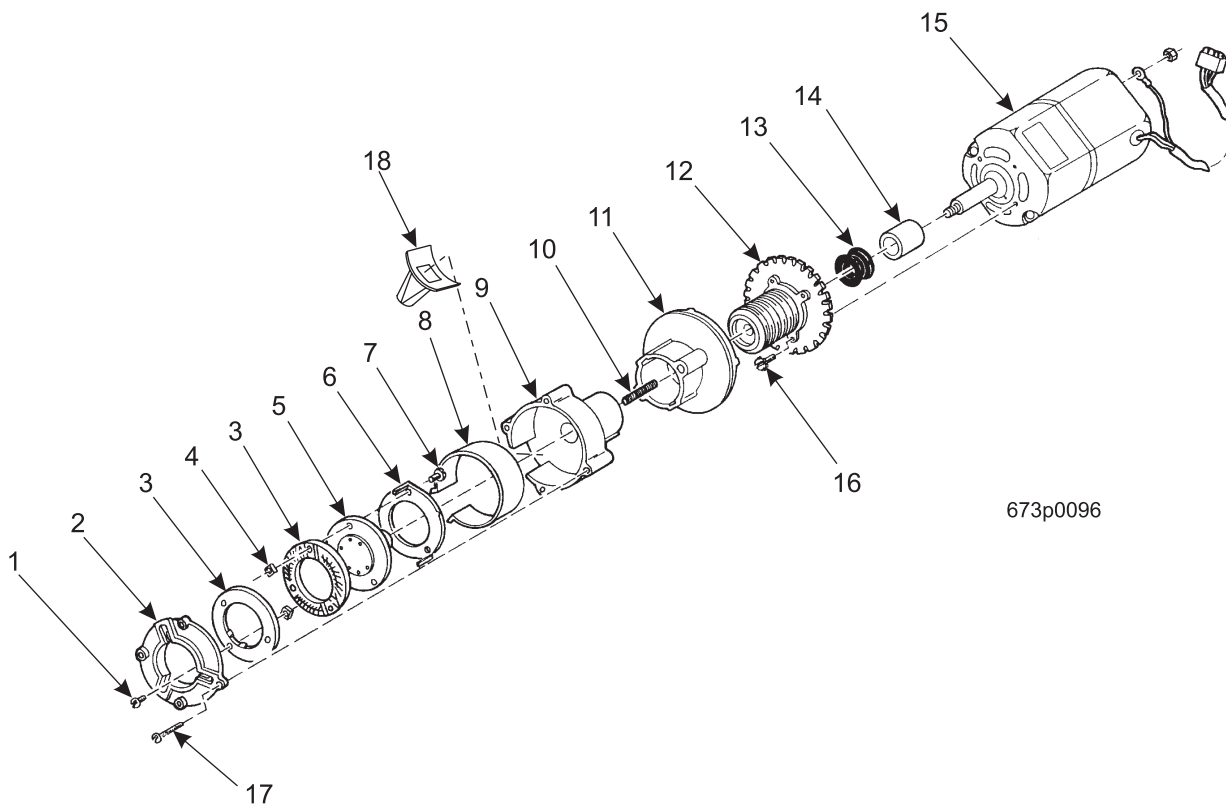


FIGURE 74 GRINDER ASSEMBLY - COFFEE BEAN

TABLE 74 GRINDER ASSEMBLY - COFFEE BEAN

INDEX	PART NUMBER	DESCRIPTION	QTY
--	6777000	GRINDER ASSY-COFFEE	--
1	6207518	SCREW-#4-40 X 5/16 PHS W/LW	3
2	6237224	COVER-GRINDER HOUSING	1
3	6277202	GRINDING WHEEL-MACHINED	2
4	6207519	NUT-GRINDING WHEEL	6
5	6237223	ROTOR-GRINDWHEEL	1
6	6234271	SHAFT-FLIP STOP	1
7	6237272	SCREW-#4-40 X 5/16 PHS	3
8	6224035	LINER-GRINDER HOUSING	1
9	6237225	GRINDER HOUSING ASSY	1
10	6207515	SPRING-INDEX#C-0180-029-0880-M	2
11	6237222	COLLAR-LOCKING	1
12	6237227	PLATE-MOTOR MOUNTING	1
13	6227513	RUBBER GROMMET	1
14	6227514	BEARING-GRINDER-OILITE AA307-3	1
15	6237201	MOTOR-UNIVERSAL	1
16	9900023	SCREW #8-32 X .37 PHS W/LW	--
17	6207516	SCREW-#4-40 X 1-1/4 PHS W/LW	2
18	6237252	CHUTE-GRINDER	1

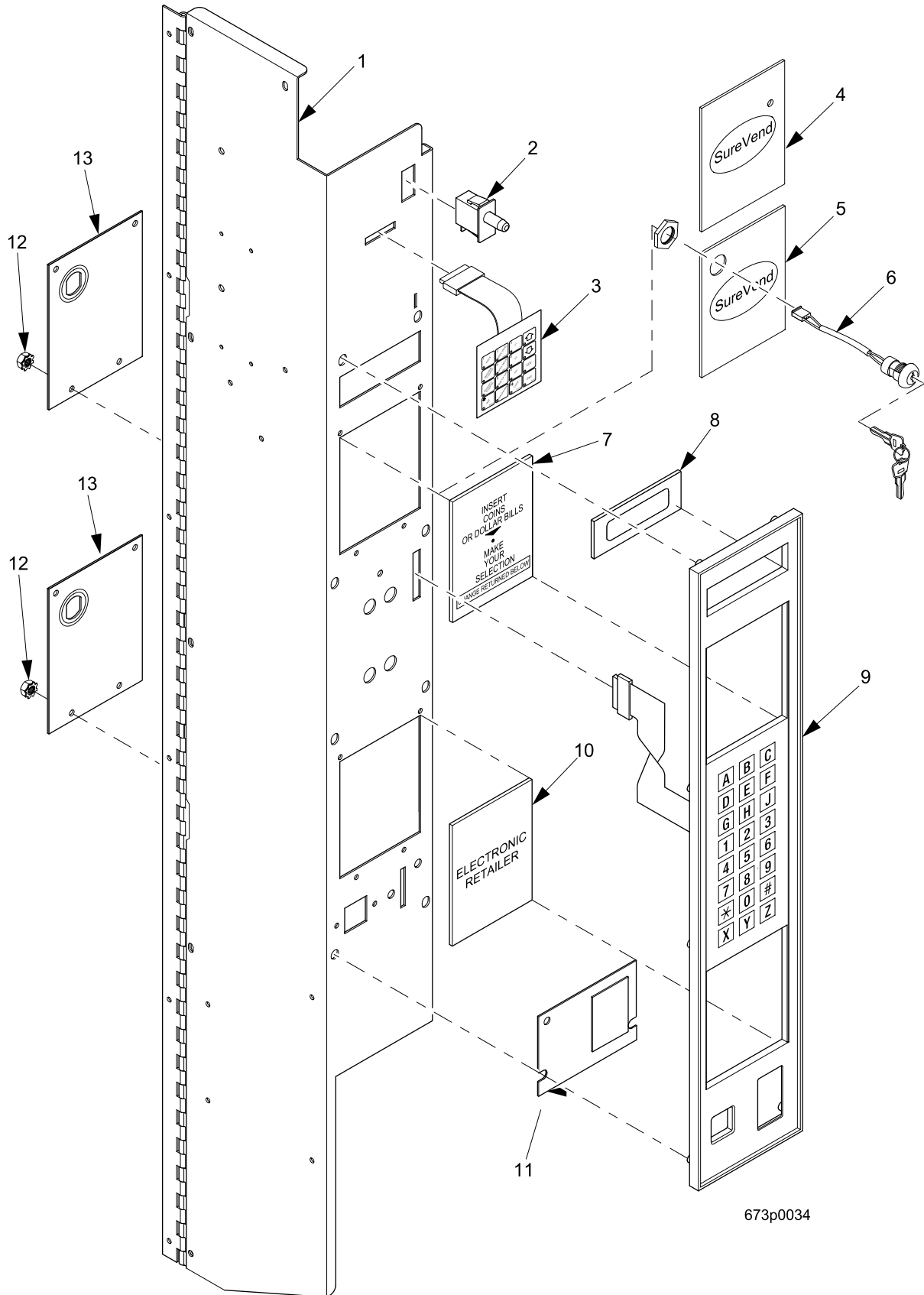


FIGURE 75 EXTERIOR MONETARY DOOR

TABLE 75 EXTERIOR MONETARY DOOR

INDEX	PART NUMBER	DESCRIPTION	QTY
1	1575094	PANEL WELD ASSY-MONET.-NV BLK	1
2	1401110	SWITCH	1
3	6335002	SERVICE KEYPAD ASSEMBLY	1
4	1675006	INSERT-INSTR.-UPPER-SUREVEND	1
5	3275003	INSERT-INST-FREE VEND-SUREVEND	1
6	9989639	SWITCH ASSY-FREE VEND	1
7	1575012	INSERT-INSTR-COINS/BILLS-U.S.	1
8	1572013	LENS-DISPLAY	1
9	3635015	FACEPLATE ASSEMBLY	1
10	1575035	INSERT-INSTR-LOWER-ENGLISH	1
11	1575044	COVER PLATE ASSEMBLY-NO COIN	1
12	9900081	NUT #8-32 KEPS ZINC PLATE	--
13	1575048	PLATE-INSERT BACKING	1

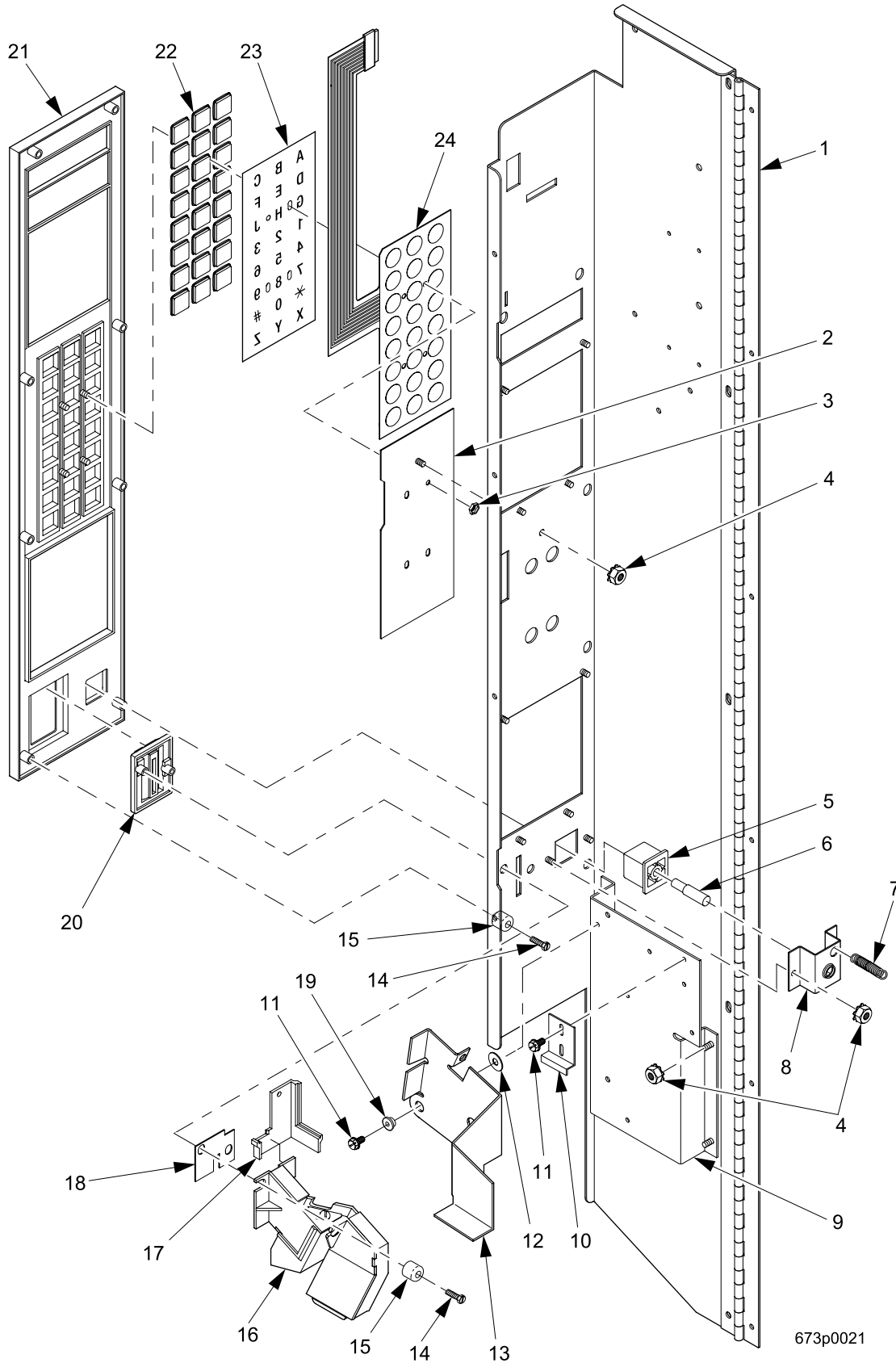
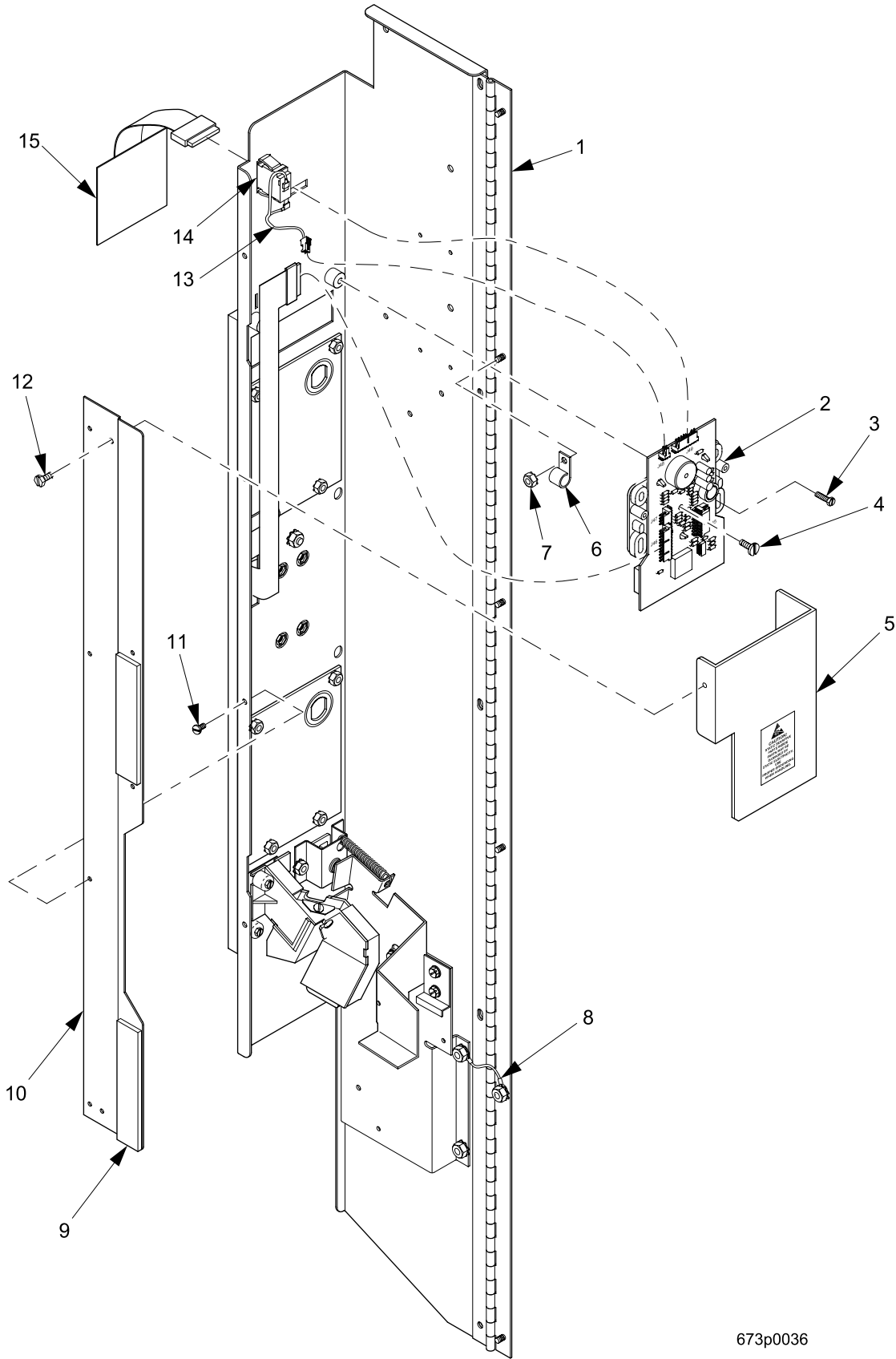


FIGURE 76 INTERIOR MONETARY DOOR (PART 1 OF 3)

TABLE 76 INTERIOR MONETARY DOOR (PART 1 OF 3)

INDEX	PART NUMBER	DESCRIPTION	QTY
1	1575094	PANEL WELD ASSY-MONET.-NV BLK	1
2	1575091	PLATE-SELECT SWITCH-BACKUP-W	1
3	1475089	1/8 NUT-SELF-THREADING	4
4	9900081	NUT #8-32 KEPS ZINC PLATE	--
5	1475026	BUTTON-COIN RETURN	1
6	1475072	SHAFT-RETURN BUTTON	1
7	1127808	SPRING-SHELF RESET	1
8	1571079	BRACKET-COIN RETURN BUTTON	1
9	1571078	BRACKET-COIN MECHANISM	1
10	6231037	CLAMP-CABLE	1
11	9900106	SCREW #8-32 X 3/8 ACORN HEX HD	--
12	2204093	WASHER-SCAVENGER BAR	1
13	1571113	ARM-SCAVENGER	1
14	4747171	SCREW-#6-19 X .38 PHIL.PHS-T/C	--
15	2302053	SPACER-CUP	4
16	1575003	COIN CHUTE ASSEMBLY	1
17	1575006	TRAY-DRAIN-COIN CHUTE	--
18	1671041	COIN BLOCK-50 CENTS	1
19	2228011	SPACER-RELEASE ARM	2
20	1472223	COIN INSERT	1
21	3635004	PANEL-SELECTION-MONETARY	1
22	1472251	LENS-PUSH BUTTON	12
23	1575058	LETTER SHEET-SELECT SWITCH	1
24	7215019	MEMBRANE SWITCH ASSY-SELECT	1



673p0036

FIGURE 77 INTERIOR MONETARY DOOR (PART 2 OF 3)

TABLE 77 INTERIOR MONETARY DOOR (PART 2 OF 3)

INDEX	PART NUMBER	DESCRIPTION	QTY
1	1575094	PANEL WELD ASSY-MONET.-NV BLK	1
2	9989823	DISPLAY W/BRACKET ASSEMBLY	1
3	4747171	SCREW-#6-19 X .38 PHIL.PHS-T/C	--
4	9900203	SCREW #6-20 X 3/8 PHS T/C	--
5	1575029	COVER-DISPLAY	1
6	1452139	RETAINER-HARNESS	2
7	9900081	NUT #8-32 KEPS ZINC PLATE	--
8	1475119	JUMPER-GROUND WIRE	1
9	1575080	MAGNET MTG.PLATE-CASHCODE	1
10	1575057	PLATE-MAGNET MOUNTING	1
11	4245186	SCREW-#8 32 X 1/4 PHS-T/F	--
12	9900106	SCREW #8-32 X 3/8 ACORN HEX HD	--
13	1579009	JUMPER-MONETARY DOOR SWITCH	1
14	1401110	SWITCH	1
15	6335002	SERVICE KEYPAD ASSEMBLY	1

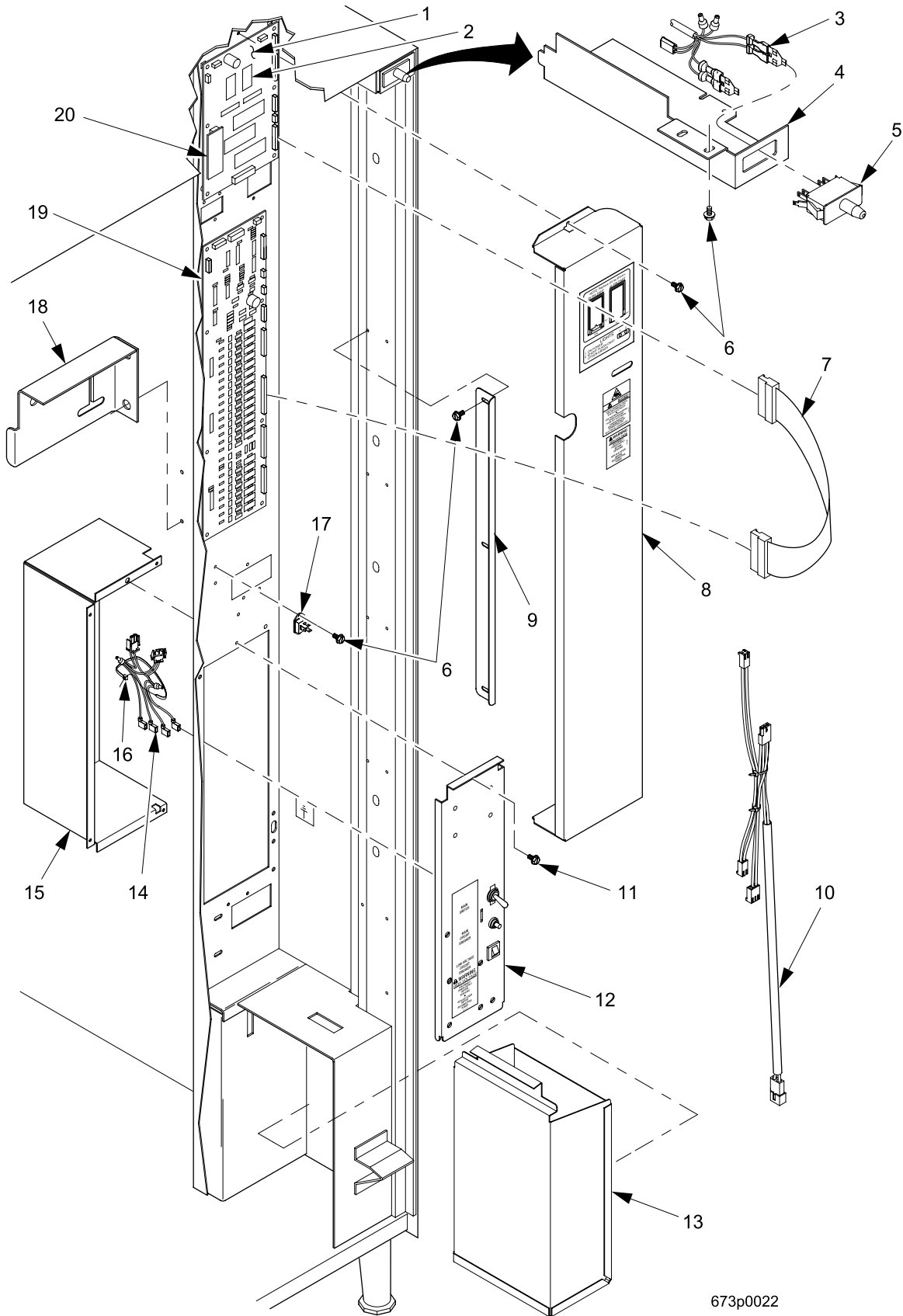
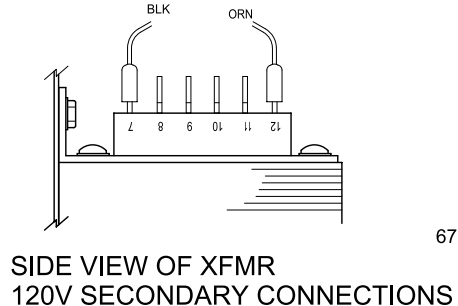
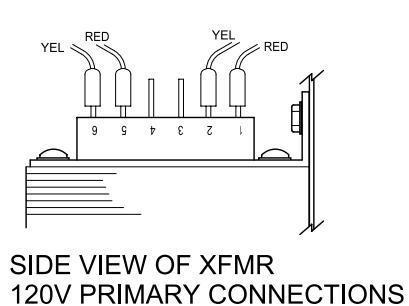
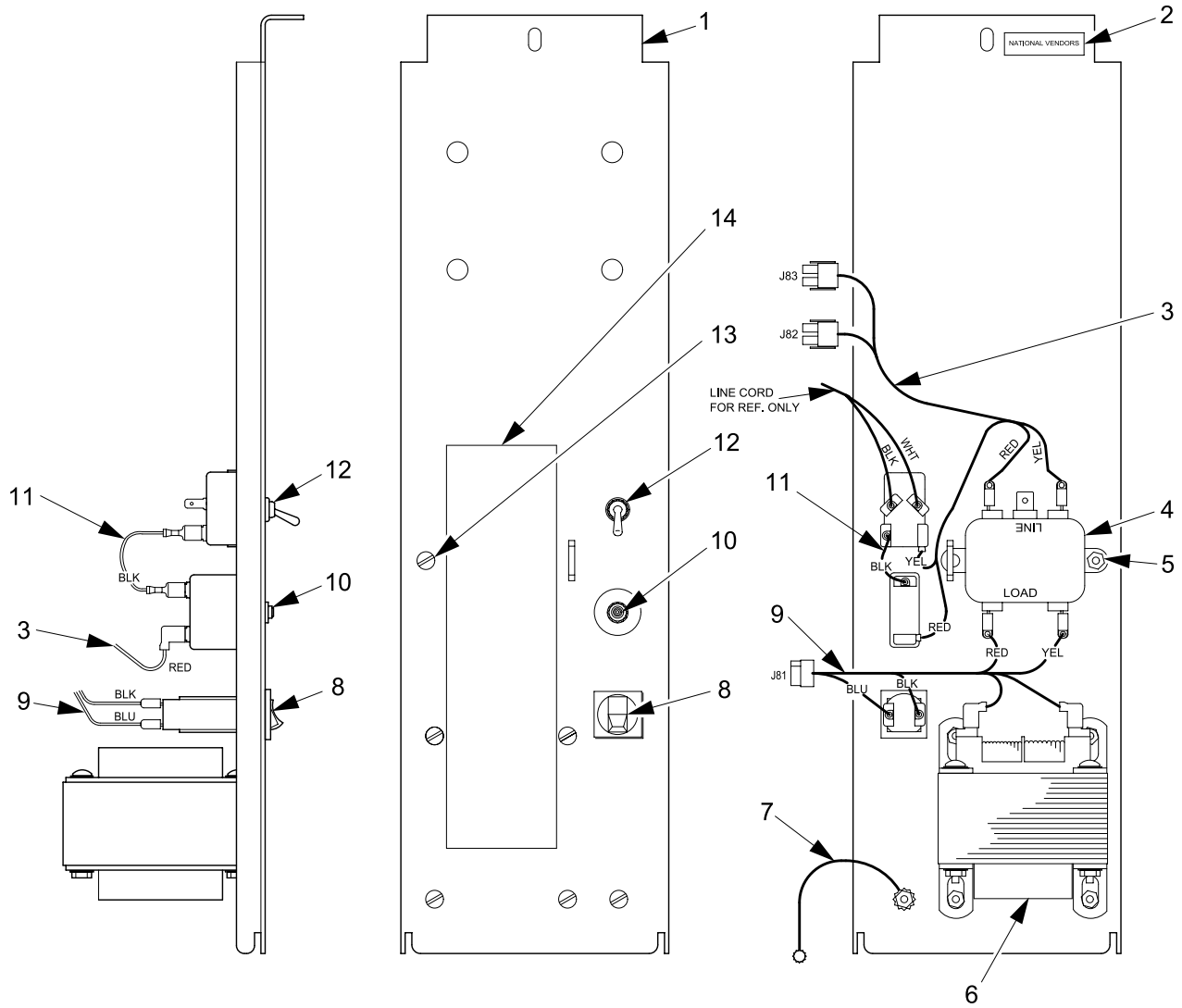


FIGURE 78 INTERIOR MONETARY DOOR (PART 3 OF 3)

673p0022

TABLE 78 INTERIOR MONETARY DOOR (PART 3 OF 3)

INDEX	PART NUMBER	DESCRIPTION	QTY
1	6736000	MAIN CTR.PCB W/EPROM	1
	9989755	PCB ASSY-MAIN CONTROLLER	1
2	9985248	LABL-UNPRTD-SLFADH DAT57637-10	1
3	9980332	IC-1 MBIT FLASH MEMORY-AMD	1
	1579010	JUMPER-INTERLOCK-DOMESTIC	1
4	1571021	BRACKET-SWITCH INTERLOCK	1
5	1211141	SWITCH	1
6	1451097	SCREW-#8-32X.31 HEX HD.TF-BLK.	--
7	1599200	HARNESS-CONTROL TO DISPLAY	1
8	1571112	COVER-CONT./INTERF.PCB	1
9	1571022	STOP-MONETARY PANEL	1
10	9989750	HARNESS-24VAC PCB & COIN POWER	1
11	1451097	SCREW-#8-32X.31 HEX HD.TF-BLK.	--
12	3281086	POWER ASSY-DOMESTIC-20A	1
13	1671050	MONEY BOX-WELDED-ONE PIECE	1
14	6739021	HARNESS-POWER PANEL	1
15	1671022	HOUSING-POWER PANEL	1
16	3114114	WIRE TIE RICHCO#BT-10-10-BL	1
17	9983778	TRIAC-35A-600V	1
18	6231143	BRKT-POWER PANEL RETAINER	1
19	6736001	PCB ASSEMBLY-HOT DRINK INTERF.	1
20	6736005	IC ASSY-VERSION 673.02 AMD	1

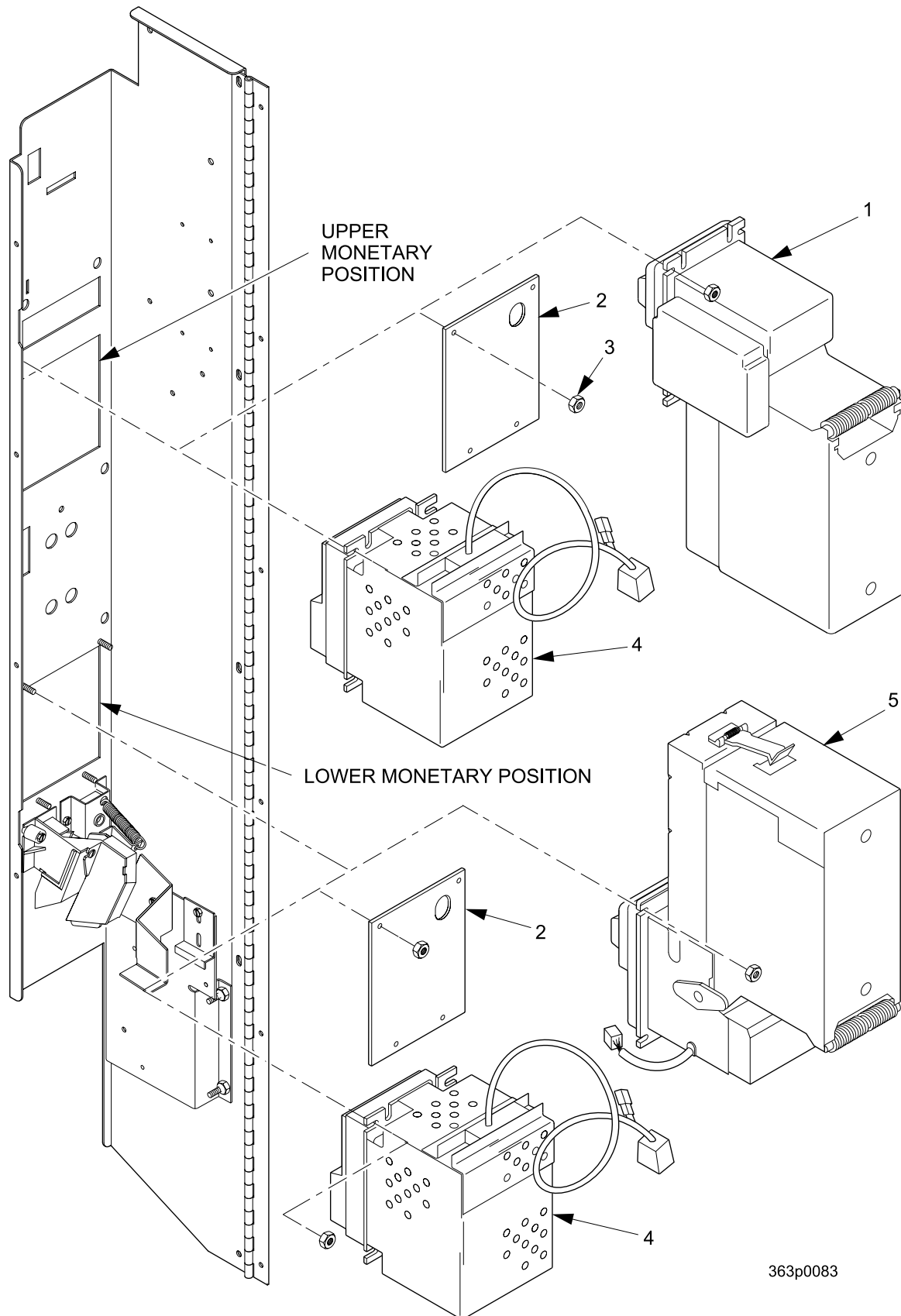


673p0024

FIGURE 79 POWER PANEL ASSEMBLY - 20A

TABLE 79 POWER PANEL ASSEMBLY - 20A

INDEX	PART NUMBER	DESCRIPTION	QTY
1	1701025	PLATE-HOUSING-PANEL(CP7-7)	1
2	9989369	LABEL-N.V.BLANK	1
3	6739021	HARNESS-POWER PANEL	1
4	9989100	INTERFERENCE FILTER	1
5	9900081	NUT #8-32 KEPS ZINC PLATE	--
6	9989046	24V XFMR-DUAL PIR.-.187 TERM.	1
7	9984094	WIRE-GROUND-14"	1
8	9989674	CIRCUIT BREAKER-4 AMP	1
9	1709001	JUMPER-TRANSFORMER-120V-PRM.	1
10	9989673	CIRCUIT BREAKER-20A	1
11	1709006	JUMPER-MAIN SWITCH TO BREAKER	1
12	9984629	SWITCH-TOGGLE-DPST-20AMP	1
13	1211110	8-32X1/4 RHS MACH SCR ZP	1
14	4311117	LABEL-POWER CONTROL PNL-ENGL.	1



363p0083

FIGURE 80 MONETARY - DEBIT CARD READERS AND BILL VALIDATORS

TABLE 80A MONETARY - DEBIT CARD READERS AND BILL VALIDATORS

INDEX	PART NUMBER	DESCRIPTION	QTY
1	--	DOWNSTACK BILL VALIDATOR	--
2	1575048	PLATE-INSERT BACKING	1
3	9900081	NUT #8-32 KEPS ZINC PLATE	--
4	--	DEBIT CARD READER	
5	--	UPSTACK BILL VALIDATOR	

TABLE 80B MONETARY LOCATION OPTIONS

MONETARY CAPABILITY	MONETARY PANEL LOCATION		WITH COIN?
	UPPER	LOWER	
COIN - VAL - CARD	CARD READER	UPSTACK VALIDATOR	YES
COIN - VAL - CARD	DOWNSTACK VALIDATOR	CARD READER	YES
COIN - VAL	INSERT INSTRUCTIONS BACK-UP PLATE (1575048)	UPSTACK VALIDATOR	YES
COIN - VAL	DOWNSTACK VALIDATOR	INSERT INSTRUCTIONS BACK-UP PLATE (1575048)	YES
COIN - CARD	INSERT INSTRUCTIONS BACK-UP PLATE (1575048)	CARD READER	YES
COIN - CARD	CARD READER	INSERT INSTRUCTIONS BACK-UP PLATE (1575048)	YES
VAL - CARD	DOWNSTACK VALIDATOR	CARD READER	NO
VAL - CARD	CARD READER	DOWNSTACK VALIDATOR	NO
COIN ONLY	INSERT INSTRUCTIONS BACK-UP PLATE (1575048)	INSERT INSTRUCTIONS BACK-UP PLATE (1575048)	YES
VAL ONLY	INSERT INSTRUCTIONS BACK-UP PLATE (1575048)	UPSTACK VALIDATOR	NO
VAL ONLY	DOWNSTACK VALIDATOR	INSERT INSTRUCTIONS BACK-UP PLATE (1575048)	NO
CARD ONLY	CARD READER	INSERT INSTRUCTIONS BACK-UP PLATE (1575048)	NO
CARD ONLY	INSERT INSTRUCTIONS BACK-UP PLATE (1575048)	CARD READER	NO

**Note: All Items are secured with four nuts (P/N 9900081).
Shaded items represent alternate configurations.**

TABLE 80C CARD READER OPTIONS

PART NUMBER	DESCRIPTION
1475107	DEBITEK # VIS-MM-NAT SYSTEM III
1575050	BRACKET - DEBITEK CONTROLLER (NO COIN OPTION)
1575052	BRACKET - DEBITEK CONTROLLER (WITH COIN OPTION)

TABLE 80D BILL VALIDATOR OPTIONS

PART NUMBER	DESCRIPTION	HARNESS PART NUMBER
5900198	VALIDATOR - MARS - S2000 - VN2311 - U5E	1579005
3152444	VALIDATOR - MARS - VFM1 - S1 - U4C -CNSMT	
5900182	VALIDATOR - COINCO - BA305A	1579028
5900193	VALIDATOR - MARS - S2000 - VN2511 - U5E -CN5	
5900233	VALIDATOR - CONLUX MKA 2152-12B 120V	
3152391	VALIDATOR - MARS VFM3 - S1 - U4C -CNSMT	
5900248	VALIDATOR - MARS AE 2611 - U5E SERIAL	
5900205	VALIDATOR - MARS - VN2512-U5E - 24V	1579032 (HARNESS) 9989718 (JUMPER)
5900221	VALIDATOR - COINCO - BA32SA - 24V	
5900234	VALIDATOR - CONLUX - 2162 - 24V - 300	
1475053	VALIDATOR - MAKKA - NB - 1KB - 400 WITH MASK IKI INSTALLED	1579006
5900247	VALIDATOR - MARS AE 2612 - U5M - MDB	-
5900210	VALIDATOR - MARS - VN2512 - USM/500 -MDB	-
5900234	VALIDATOR - COINLUX - 2162 - 24V - 300	1579050
5900283	VAL-COINCO - MAGPRO - 32R	-
5900284	VAL-COINCO-MAGPRO-30SA	1579034
5900285	VAL-COINCO-MAGPRO-32SA	
5900287	VAL-COINCO-MAGPRO-MAG50SA	
5900182	VALIDATOR - COINCO - BA 30SA	
5900290	VALIDATOR - COINCO MAGPRO 52R	

TABLE 80E COIN MECHANISM OPTIONS

PART NUMBER	DESCRIPTION
5900116	MARS TRC6000 COIN UNIT
5307321	COINTRON 3000 - US COIN VAL
5900096	COINCO 9340L COIN UNIT
5900112	MARS MC5000 COIN UNIT
6400002	COIN CHANGER - MARS #TRC 6010XV
6000003	COIN CHANGER - COINCO # 9302LF-24
5900094	COINCO 9300L COIN UNIT
5900192	COIN UNIT - COINLUX USLX00401F
5900213	COIN UNIT - COINCO - 9302 - GX - MDB
5900209	COIN UNIT - CONLUX - USLZ - 001 - MDB
5900214	COIN UNIT - MARS - VN 4510 - MDB
5900216	COIN UNIT - MARS - VN 4000, 110V
5900217	COIN UNIT - MARS - VN 4010 XV - 24V
5900192	COIN UNIT - CONLUX - USLX 00401F
5900237	COIN UNIT - CONLUX - USLX - 001 120V

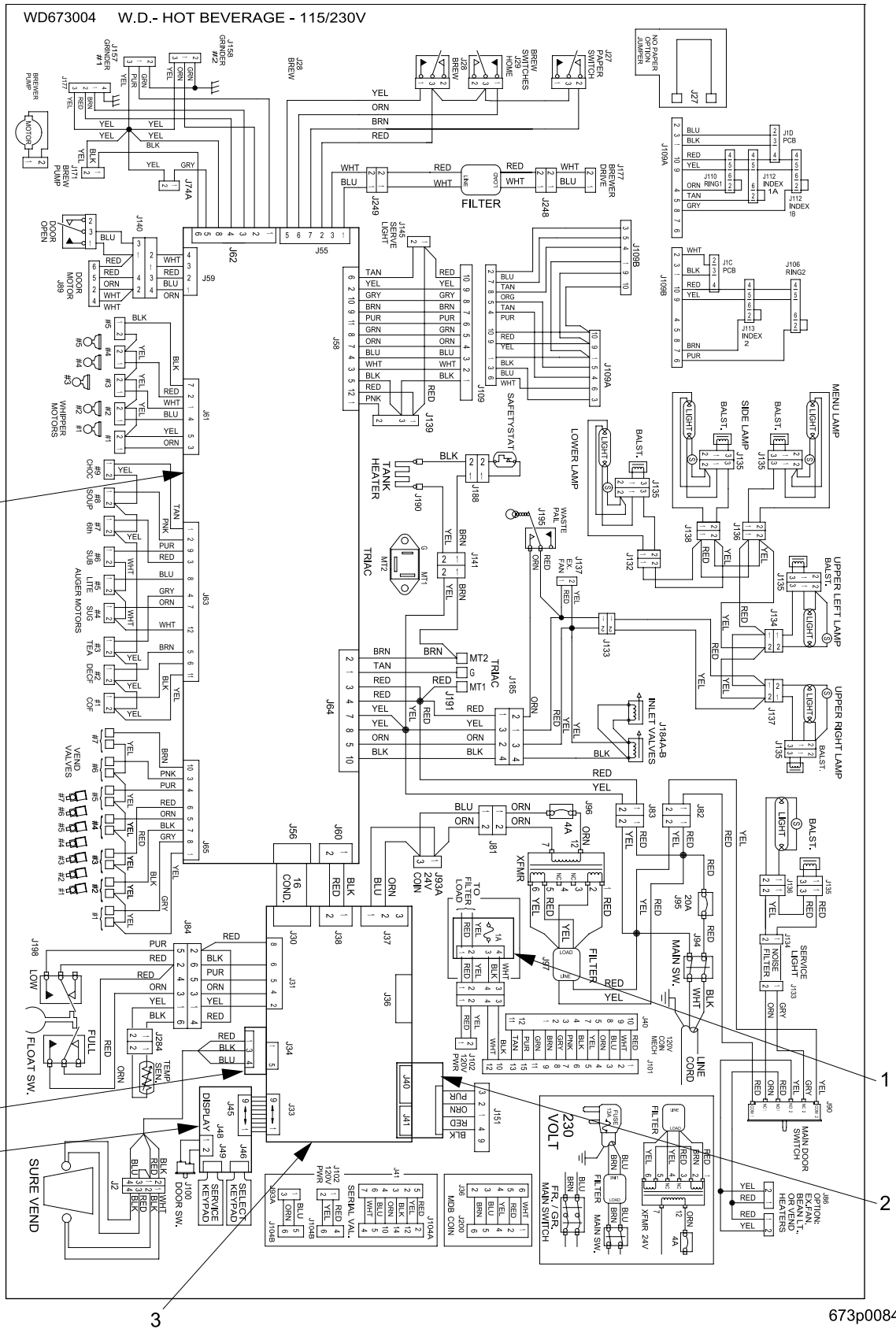


FIGURE 81 WIRING DIAGRAM - HOT BEVERAGE 115/230 VOLT

TABLE 81A WIRING DIAGRAM - HOT BEVERAGE 115/230 VOLT

INDEX	PART NUMBER	DESCRIPTION	QTY
1	9989659	PCB ASSY-DUMB MECH POWR SUPPLY	1
2	9989687	PCB ASSY-EXECUTIVE INTERFACE	1
3	9989755	PCB ASSY-MAIN CONTROLLER	1
4	9989685	PCB ASSEMBLY-DISPLAY	1
5	3286019	PCB ASSY-IR SENSOR INTERFACE	1
6	6736001	PCB ASSEMBLY-HOT DRINK INTERF.	1

TABLE 81B J CONNECTIONS

J#	PART NUMBER	DESCRIPTION
J2	6559011	HARNESS - SUREVEND
J27	6739005	HARNESS - BREWER SWITCH
J28	6739005	HARNESS - BREWER SWITCH
J29	6739005	HARNESS - BREWER SWITCH
J30	1579008	HARNESS - RIBBON
J31	6339009	HARNESS - FLOAT TEMP
J33	6339017	CABLE - DISPLAY
J34	6559010	HARNESS - SUREVEND
J35	1679056	HARNESS - DEX
J36	1679054	HARNESS - MDB COIN
J37	9989750	HARNESS - 24VAC
J38	9989750	HARNESS - 24VAC
J40	9989687	EXECUTIVE INTERFACE
J41	9989687	EXECUTIVE INTERFACE
J45	6339017	CABLE DISPLAY
J46	7215019	CUSTOMER KEY PAD
J47	9989639	FREEVEND KEY SWITCH
J48	1579009	DOOR SWITCH
J49	6335002	SERVICE KEY PAD
J55	6739005	HARNESS - BREWER SWITCHES
J56	1579008	HARNESS - RIBBON
J57	6739005	HARNESS - BREWER SWITCHES
J58	6559001	HARNESS - CABINET DC
J59	6559001	HARNESS - CABINET DC
J60	9989750	HARNESS - 24VAC
J61	6559008	HARNESS - WHIPPERS
J62	6739012	HARNESS - BREW & GRD

TABLE 81B J CONNECTIONS

J#	PART NUMBER	DESCRIPTION
J63	6739011	HARNESS AUGERS
J64	6339004	HARNESS - CABINET AC
J65	6739016	HARNESS - AC TANK-1750 WATT
J68A	6739005	HARNESS - BREWER SWITCHES
J69A	6739005	HARNESS - BREWER SWITCHES
J70A	6739005	HARNESS - BREWER SWITCHES
J71	6739012	HARNESS - BREW & GRDE
J80	9989750	HARNESS - 24VAC
J81	9989750	HARNESS - 24VAC
J82	6739010	HARNESS - POWER PANEL
J83	6739010	HARNESS - POWER PANEL
J84	6339021	HARNESS - FLOAT SWITCH
J85	6739055	HARNESS - BREWER SWITCH
J88	6239026	HARNESS - AUTO DOOR
J89	6239026	HARNESS - AUTO DOOR
J90	6339004	HARNESS - CABINET AC
J92	9989750	HARNESS - 24VAC
J94	6739010	HARNESS - POWER PANEL
J95	6739010	HARNESS - POWER PANEL
J96	6739010	HARNESS - POWER PANEL
J97	6739010	HARNESS - POWER PANEL
J100	1579009	HARNESS - DOOR SWITCH
J101	1579003	HARNESS - DUMB MECH
J102	1579003	HARNESS - DUMB MECH
J106	6369005	STIR STICK SOLENOID
J109	6559001	HARNESS - CAB DC
J109A	6739006	JUMPER - CUP MECHS
J109B	6739006	JUMPER - CUP MECHS
J138	2346016	SIDE LIGHT
J133	6739003	JUMPER - PWR TO LIGHTS
J134	6739009	LEFT UPPER LAMP
J137	6739007	RIGHT UPPER LAMP
J136	6739014	MENU LAMP
J138	2346016	SIDE LIGHT
J132	6739009	LOWER LAMP
J137	6559007	HARNESS - HDC AC2
J139	6559009	HARNESS - MUG SENSOR
J140	6559001	HARNESS - CABINET DC

TABLE 81B J CONNECTIONS

J#	PART NUMBER	DESCRIPTION
J141	6739016	HARNESS - AC TANK-1750 WATT
J145	6559001	HARNESS - CABINET DC
J147	6559009	HARNESS - MUG SENSOR
J151	1679050	HARNESS - EXECUTIVE COIN
J158	6739012	HARNESS - BREW & GRD
J159	6739012	HARNESS - BREW & GRD
J176	6739016	HARNESS - AC TANK-1750 WATT
J177	6739012	HARNESS - BREW & GRD
J184A	6559007	HARNESS - HDC AC2
J184B	6559007	HARNESS - HDC AC2
J185	6339004	CABINET - AC1
J188	6739016	HARNESS - AC TANK-1750 WATT
J190	6739016	HARNESS - AC TANK-1750-WATT
J191	6739016	HARNESS - AC TANK-1750-WATT
J195	6559007	HARNESS - HDC AC2
J198	6339021	HARNESS - FLOAT SW.
J200	6739016	HARNESS - AC TANK-1750 WATT
J248	6809010	JUMPER - FILTER TO BREW MTR
J249	6809010	JUMPER - FILTER TO BREW MTR
J250	6739014	JUMPER MENU LAMP
J284	6339021	HARNESS - FLOAT SW.

Part Number.....	Page	Part Number.....	Page	Part Number	Page
1127808	149	1572011	3, 29	3107171	61
1141054	39, 41, 43	1572013	147	3108048	77
1170206	61, 109	1572242	133	3108141	49, 51
1172021	57, 67	1575002	3	3112163	27
1172059	11	1575003	149	3112164	27
1211105	55	1575006	149	3114114	153
1211110	155	1575012	147	3116127	63
1211112	57	1575029	151	3118011	123
1211141	153	1575035	147	3118035	67
1211161	69, 127	1575044	147	3121150	63
1212159	125	1575048	147, 157	3142138	19
1217159	51, 63, 127	1575050	158	3143009	44
1217160	51, 63, 127	1575052	158	3143011	44
1302289	27	1575057	151	3151058	61
1302290	27	1575058	149	3152391	158
1302291	27	1575080	151	3152444	158
1302324	27	1575091	149	3154059	71, 73, 75, 77
1302326	27	1575094	147, 149, 151	3156015	79
1401110	147, 151	1577008	133	3156032	61
1411194	59	1577038	39, 41, 43, 51	3157060	11, 61, 79, 115, 121, 125
1411195	59	1579003	162	3157068	61
1437204	119	1579008	161	3158023	73
1451097	9, 13, 15, 17, 19, 21, 33, 37, 39, 41, 43, 45, 49, 51, 67, 69, 71, 73, 75, 81, 83, 87, 89, 109, 115, 119, 121, 125, 127, 153	1579009	151, 161, 162	3158061	71, 73, 75, 77
1452139	13, 17, 19, 51, 61, 67, 151	1579010	153	3275003	147
1452151	19	1592069	3	3281074	109
1457027	39, 41, 43, 51, 127	1599200	153	3281084	113
1471054	117	1671022	153	3281084	113
1471098	57	1671041	149	3281085	109, 115
1471237	57	1671050	153	3281086	153
1472178	25, 27	1675006	147	3282005	33
1472223	149	1679005	61	3282006	33
1472250	25	1679050	163	3283002	37
1472251	149	1679054	161	3283004	37
1475026	149	1679056	161	3283013	37
1475053	158	1701025	155	3283014	33, 39
1475072	149	1709001	155	3283018	33
1475089	149	1709006	155	3283022	37
1475107	158	2204093	149	3283031	37
1475119	91, 151	2204513	119	3283032	37
1477020	51	2206028	21	3283053	113
1477113	51	2222031	49, 51	3283054	113
1571021	153	2222095	15, 17, 23, 61	3283055	113
1571022	153	2222096	61	3283058	39, 41, 43
1571078	149	2222110	21	3283069	37
1571079	149	2228011	149	3502097	119
1571112	153	2272036	61	3586019	161
1571113	149	2272052	25, 27	3631171	81, 83, 87, 89
1571115	57	2301057	39, 41, 43, 47	3633007	35
1571161	59	2302053	29, 35, 149	3633008	35, 37
1572010	29	2302218	13	3633010	35
		2302223	81, 83, 85, 87, 89	3633011	35
		2304108	63	3633015	39
		2346016	15, 17, 23, 61, 162	3633031	35
		3102427	91	3633032	35
		3102447	35, 37, 109	3635004	149
		3103133	111, 113	3635015	147
		3106154	61	3639011	39

Part Number	Page	Part Number	Page	Part Number	Page
4027053	127	5900287	158	6231495	111, 113
4041047	19	5900290	158	6231501	77
4041102	109	6000003	159	6231503	77
4041241	39, 41, 43, 47	6104220	137	6231507	63
4047012	133, 137	6106021	127	6231516	115
4047054	63	6114121	35, 44	6231526	53
4047061	137	6117010	109	6231528	53
4245082	29	6118071	73	6231529	53
4245083	29	6124073	69	6231544	111
4245084	29	6131066	37	6231545	111, 113
4245186	151	6133157	137	6231550	119
4247204	109	6134042	133, 137	6231553	119
4254012	81, 83, 85, 87, 89	6134160	137	6231559	61
4277042	131, 133	6137157	81, 83, 85, 87, 89	6232023	15
4302134	127	6138181	33, 35, 37	6232028	55
4305043	121	6138183	69	6232031	55
4311068	57	6138287	69	6232036	55
4311117	155	6151131	63	6232065	49, 51
4312210	119	6158007	67	6232078	21
4312216	15, 17, 23	6158063	67	6232084	49, 51
4402043	79	6201025	53	6232085	49, 51
4559009	19	6207515	145	6232089	49, 51
4711020	109	6207516	145	6232091	49, 51
4732024	13, 15, 17, 87	6207518	145	6232092	21
4733035	39, 41, 43	6207519	145	6232096	49, 51
4741050	7, 81, 83, 85, 87, 89, 123	6224035	145	6232118	31
4747171	133, 135, 149, 151	6227513	145	6232208	55
4751060	67	6227514	145	6232263	51
5220042	107	6231033	85, 109	6232305	61
5220108	51, 127	6231034	57	6232317	49, 51
5262139	13, 15, 17, 23	6231035	67	6233009	45
5307321	159	6231036	65	6233010	39, 41, 43
5900094	159	6231037	149	6233012	39, 41, 43
5900096	159	6231074	119	6233013	39, 41, 43
5900112	159	6231087	59	6233014	39, 41, 43
5900116	159	6231135	63	6233016	43
5900182	158	6231142	71, 73, 75	6233018	41, 43, 47
5900192	159	6231143	153	6233019	41, 43
5900193	158	6231163	57	6233021	39, 41, 43, 47
5900198	158	6231164	19	6233028	39, 41, 43, 47
5900205	158	6231188	79	6233031	45
5900209	159	6231189	79	6233032	41, 43, 45
5900210	158	6231203	57	6233037	39, 41, 43, 47
5900213	159	6231223	115	6233040	45
5900214	159	6231372	65	6233048	35, 37
5900216	159	6231411	111	6233056	39, 41, 43
5900217	159	6231413	111	6233057	47
5900221	158	6231430	111, 113	6233062	39, 41, 43
5900233	158	6231431	111, 113	6233065	5, 7, 41, 43
5900234	158	6231432	111, 113	6233077	37, 41, 43
5900237	159	6231438	111	6233082	43
5900247	158	6231439	111	6233095	35
5900248	158	6231443	111, 113	6233101	43
5900283	158	6231475	53	6233105	39, 41, 43
5900284	158	6231488	111, 113	6233106	39, 41, 43
5900285	158	6231489	111, 113	6233107	39, 41, 43
		6231492	111, 113	6233126	44

Part Number.....	Page	Part Number.....	Page	Part Number	Page
6233127	44	6237225	145	6333011	44
6234106	49, 51	6237227	145	6333012	44
6234271	145	6237252	145	6335002	147, 151, 161
6234295	69	6237272	145	6337020	93, 95, 97, 99, 101, 103, 105, 107
6234516	117	6237288	107	6337021	103, 105
6234603	131	6237301	81, 83, 85, 87, 89	6337022	103
6234620	131	6237303	81, 83, 87, 89	6337023	105
6234628	44	6237306	81, 83, 87, 89, 141, 143	6337024	103
6237008	99	6237313	143	6337025	105
6237014	93, 95, 97, 99, 101, 103, 105, 107	6237314	81, 83, 87, 89	6337030	103, 105
6237020	103, 105	6237315	81, 83, 85, 87, 89	6337032	103, 105
6237023	93, 95, 97, 99, 101	6237335	81, 83, 85, 87, 89	6337044	81, 83, 85, 87, 89
6237031	107	6237336	81, 83, 85, 87, 89	6337049	81, 83, 85, 87, 89
6237046	97	6237340	119	6337057	81, 83, 85, 87, 89, 115
6237049	69, 107	6237342	119	6337058	109
6237050	107	6237347	81, 83, 87, 89	6337076	141
6237053	93, 95, 97, 99, 101, 107	6237356	91, 109	6337078	141
6237062	107	6237376	91	6337079	141
6237063	99, 103, 105	6237421	107	6337082	81, 83, 85, 87, 89
6237064	107	6237424	107	6337085	141
6237065	107	6237436	91	6337093	81, 83, 89
6237066	103, 107	6237438	91	6337109	87, 89
6237068	107	6237439	93	6337110	81, 83
6237069	105, 107	6237446	97	6338015	75
6237074	91	6237517	107	6338016	73, 75
6237078	91	6237518	107	6338017	77
6237087	107	6238068	69	6338021	67, 81, 83, 87, 89
6237095	103, 105, 107	6238070	69, 123	6338027	71
6237106	97	6238074	65	6338046	67
6237108	93, 95	6238075	67	6338047	69
6237110	141	6238084	69	6338049	69
6237111	141	6238090	67	6338050	69
6237115	81, 83, 85, 87, 89	6238104	67	6338051	69
6237116	93, 95, 97, 99, 101, 103, 105	6238112	67	6338053	65
6237119	141	6238113	65	6338054	65
6237157	141	6238136	67	6338058	65
6237165	91	6238137	67	6338059	67
6237167	93, 95, 97, 99, 101	6238166	71, 73, 75, 77	6338060	67
6237170	91, 109	6239026	51, 162	6339000	53
6237172	91	6239048	43	6339004	162, 163
6237174	109	6262021	33	6339009	161
6237176	97, 99, 101	6263002	37	6339017	161
6237177	93, 95	6263003	41	6339021	69, 162, 163
6237179	97	6269013	41	6341007	115
6237181	93, 95, 97, 99, 101	6277202	145	6342040	19
6237184	91	6331009	115	6351005	115
6237192	141	6331089	115, 117	6361040	79
6237193	141	6332052	44	6361041	79
6237194	141	6333003	35	6361042	79
6237195	81, 83, 85, 87, 89	6333004	44	6361051	115
6237201	145	6333005	44	6362021	5
6237222	145	6333006	44	6369000	79
6237223	145	6333007	44	6369005	162
6237224	145	6333008	39, 41, 43, 44	6400002	159
		6333009	44	6404004	133
		6333010	44	6404009	127

Part Number	Page	Part Number	Page	Part Number	Page
6404013	137	6537031	81	6732035	11, 19, 27, 29, 33, 49, 51, 55
6404015	137	6538000	67	6732038	3
6404017	137	6551002	85, 109	6732039	3
6404019	137	6551004	85	6732040	3
6404022	133	6551005	83, 85	6732043	3, 21
6404023	133	6558009	67	6732044	21
6404024	131	6559001	39, 161, 162, 163	6732045	21
6404025	131	6559005	67	6732047	23
6404026	131	6559007	162, 163	6732048	3
6404027	139	6559008	161	6732049	21
6404030	139	6559009	162, 163	6732050	19
6404031	133	6559010	161	6732051	19
6404033	137	6559011	161	6732052	23
6404034	39, 41, 43, 137	6559016	162, 163	6732053	19, 21
6404035	137	6731001	81, 83, 87, 89, 109, 143	6732054	19, 21
6404036	137	6731005	109, 143	6732059	49, 51
6404043	123	6731007	81, 83, 87, 89	6732060	49, 51
6404054	123	6731008	117	6732062	21
6404060	123	6731025	115	6732063	49, 51
6404061	123	6731030	113	6732085	3
6404067	127, 139	6731036	91	6732086	19
6404073	137	6731037	55	6732087	21
6404074	137	6731044	113	6732088	21
6404095	139	6731045	113	6733001	39
6404096	139	6731046	53	6733002	39
6404098	139	6731047	115	6733003	39
6404107	131, 139	6732002	3, 5	6733005	33
6404108	131, 139	6732003	3, 5	6733006	33
6404112	117, 121	6732004	3, 5	6734003	127
6404113	131	6732005	5	6734004	127
6404114	131	6732006	9	6734005	123
6408028	71	6732007	9	6734006	127
6408113	75	6732008	9	6734007	125
6408114	75	6732009	9	6734008	117, 121
6408115	75	6732010	9	6734009	125
6408117	71, 73, 75	6732011	9	6734011	127
6408119	71, 73, 75, 77	6732012	3, 5	6734013	129
6408134	73	6732013	7	6734014	83, 129
6408154	67	6732014	7	6734015	123
6508006	67	6732015	7	6734016	81, 129
6508033	69	6732016	7	6734017	81, 83, 143
6537001	87, 89	6732017	3, 5	6734018	87, 89
6537013	93, 95, 101	6732018	11	6734019	89, 129
6537014	93, 95, 101	6732019	13	6734020	129
6537017	101	6732020	13	6734021	129
6537018	93, 95, 99	6732021	13	6734022	129
6537019	81, 83, 85, 87, 89, 141	6732022	11	6734024	117, 121
6537021	93, 95, 101	6732024	11	6734025	117, 121
6537022	101	6732025	17	6734030	133, 135
6537023	93	6732026	17, 19, 21	6734031	135
6537024	95	6732027	3	6734032	135
6537025	99	6732030	3	6734033	135
6537026	35, 37, 93, 95, 103, 105, 107	6732031	3	6734034	135
6537027	101	6732032	3	6734035	135
6537030	81, 83, 85, 87, 89, 141, 143	6732033	11, 23	6734036	135
		6732034	11	6734037	135

<u>Part Number.....</u>	<u>Page</u>	<u>Part Number.....</u>	<u>Page</u>	<u>Part Number</u>	<u>Page</u>
6734038	135	6737007	143	9900098	59
6734039	135	6737008	143	9900106	149, 151
6734040	135	6737010	143	9900113	39
6734041	135	6737011	81, 83, 85, 87, 89	9900121	27, 39, 41, 43
6734042	135	6738001	109	9900157	51, 91
6734043	135	6738002	109	9900160	29
6734047	133	6738003	115	9900170	27
6734048	133	6738004	67	9900203	77, 151
6734049	133	6738005	65, 67	9900205	73
6734050	133	6739003	11, 162	9900214	81, 83, 85, 87, 89
6734051	133	6739005	161, 162	9900218	57
6734052	131	6739006	162	9900219	61
6734053	133, 137	6739007	13, 162	9900415	93, 95, 97, 99, 101, 103, 105
6734054	137	6739009	11, 162	9900425	49, 51
6734055	137	6739010	162	9980332	153
6734056	137	6739011	162	9983778	153
6734057	131	6739012	161, 162, 163	9984094	61, 79, 155
6734058	133	6739013	5	9984629	155
6734059	133	6739014	19, 21, 162, 163	9985248	153
6734060	133	6739021	153, 155	9989046	155
6734061	133	6739055	162	9989100	127, 155
6734064	133	6777000	143, 145	9989369	155
6734065	121	6804055	125	9989639	147, 161
6734066	131	6809010	163	9989659	161
6734067	133	6844001	123	9989673	155
6734068	133	6844006	125	9989674	155
6734070	125	6881040	127	9989676	119
6734072	125	6889000	127	9989685	161
6734076	131	7207027	75	9989687	161
6734077	131	7215019	149, 161	9989750	153, 161, 162
6734078	131	8905011	3, 27	9989755	153, 161
6734080	81, 83, 87, 89	8905012	27	9989823	151
6734081	81, 83, 87, 89	9900012	63	9992400	27
6734083	81, 83, 87, 89	9900023	145	9994000	27
6734086	81, 83, 87, 89	9900034	39, 41, 43, 51		
6736000	153	9900071	13		
6736001	153, 161	9900078	53		
6736005	153	9900081	21, 35, 37, 49, 51, 61, 65, 67, 109, 147, 149, 151, 155, 157		
6737003	143				
6737004	143				
				G	
				G1472027	7, 9
				G1472028	25

Part NumberPage

Part NumberPage

Part NumberPage