

1670049

SureVend



PARTS MANUAL



The Right Part, Right Now

CRANE MERCHANDISING SYSTEMS™ A Crane Co. Company
CMS PARTS & SUPPORT

12955 Enterprise Way
Bridgeton, Missouri 63044-1200
(314) 298-3500

www.CraneMS.com

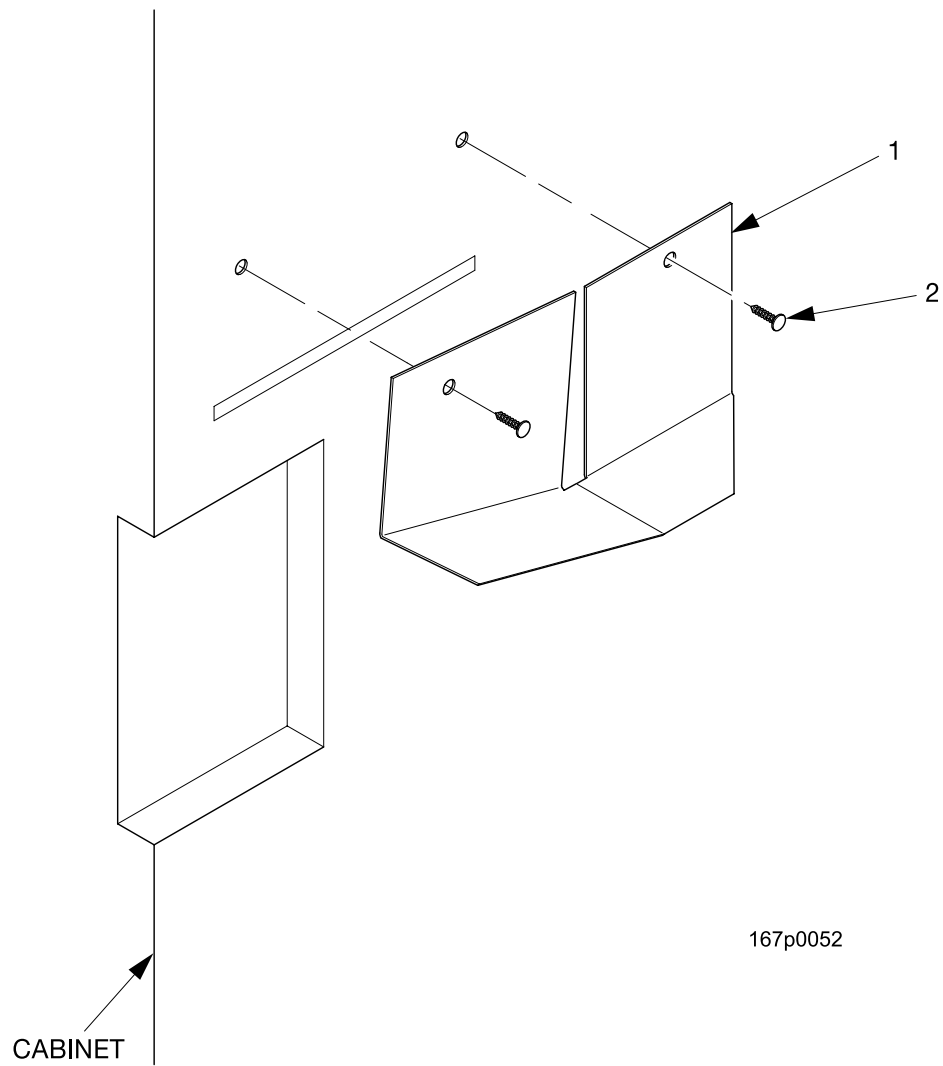
1670049

List of Figures

1	Deflector.....	1
2	SureVend Emitter.....	2
3	SureVend Receiver.....	4
4	SureVend Receiver - Coffee Module Equipped Machines.....	6
5	Wiring - Hinge Side of Delivery Pan.....	8
6	Deflectors and Decal - Part 1.....	10
7	Deflectors and Decal - Part 2.....	12
8	Decal - 8-Select Can Module.....	14
9	Decals - Delivery Pan.....	15

List of Tables

1	Deflector.....	1
2	SureVend Emitter.....	3
3	SureVend Receiver.....	5
4	SureVend Receiver - Coffee Module Equipped Machines.....	7
5	Wiring - Hinge Side of Delivery Pan.....	9
6	Deflectors and Decal - Part 1.....	11
7	Deflectors and Decal - Part 2.....	13
8	Decal - 8-Select Can Module.....	14
9	Decals - Delivery Pan.....	15

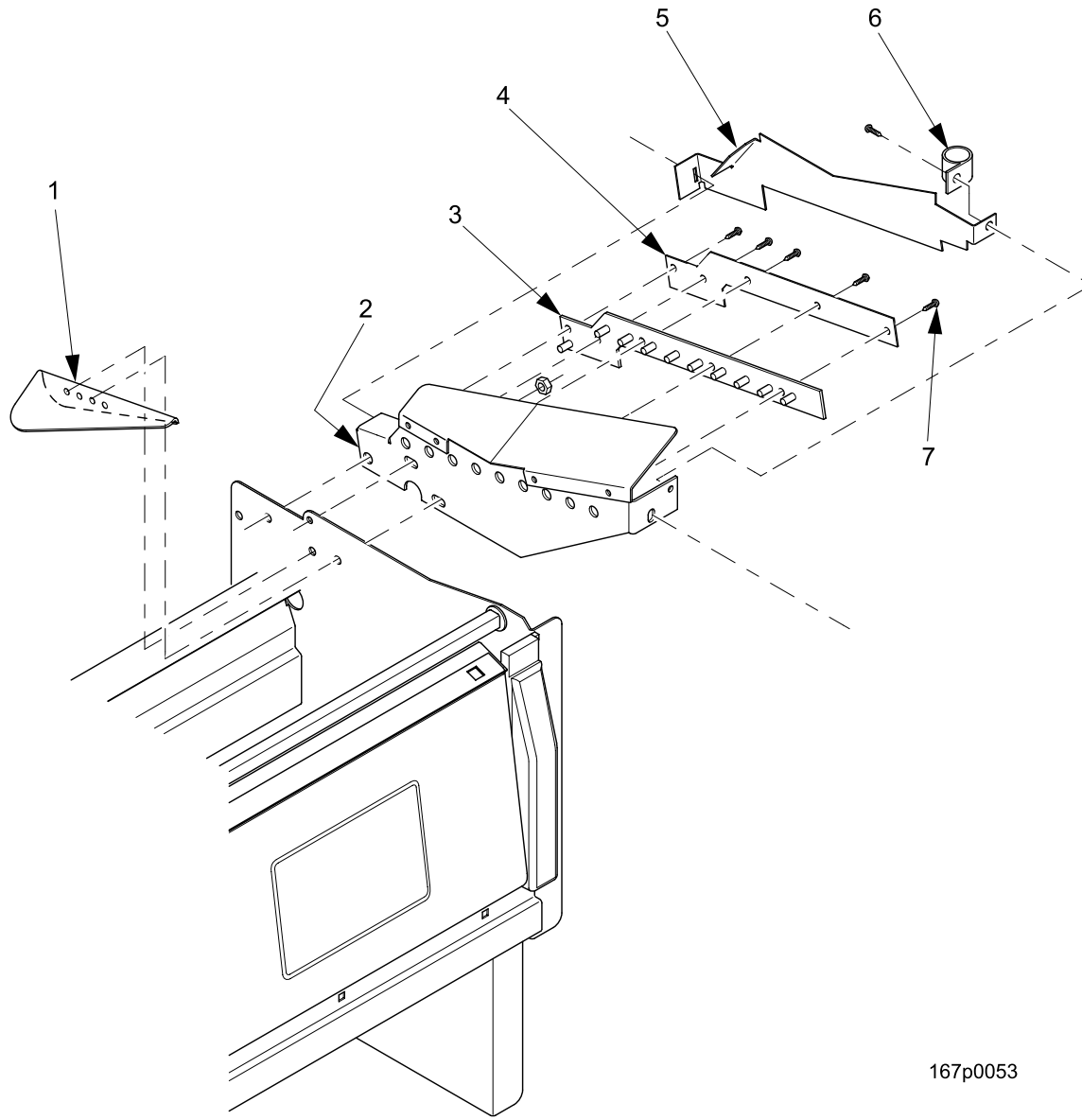


167p0052

Figure 1. Deflector

TABLE 1. DEFLECTOR

INDEX	PART NUMBER	DESCRIPTION
1	1681058	DEFLECTOR-UPPER-SMALL SNACK
2	2342044	CLIP-CHRISTMAS TREE



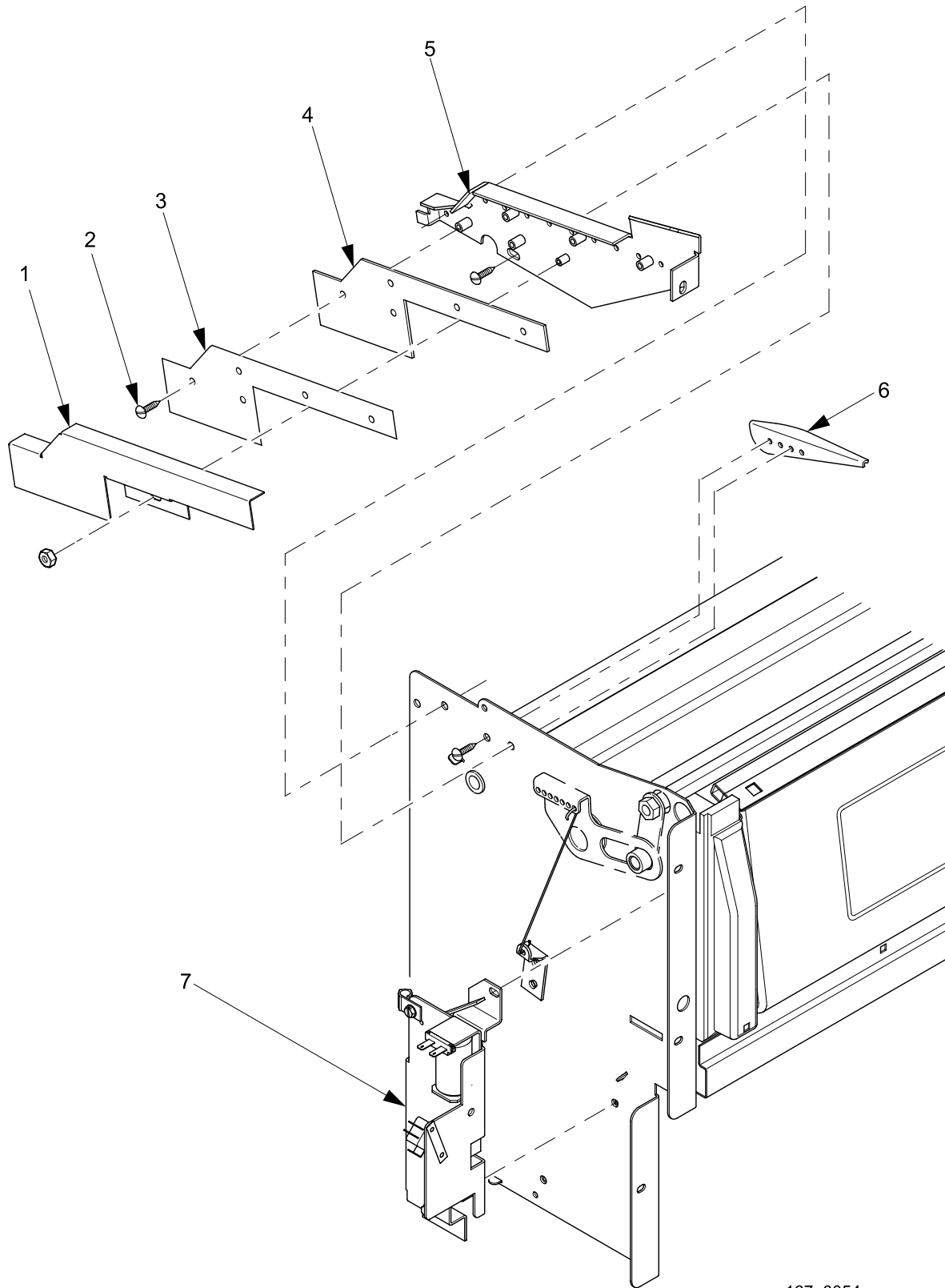
167p0053

LOCK SIDE OF DOOR

Figure 2. SureVend Emitter

TABLE 2. SUREVEND EMITTER

INDEX	PART NUMBER	DESCRIPTION
1	1672039	DEFLECTOR-INNER-LH-FLT" T"BLK
2	1672029	SENSOR BRKT ASSY-LT-SURE VEND
3	1676011	PCB ASSY-PRODUCT DET.-EMITTER
4	1672050	PAPER BACKING-LT PCB-SURE VEND
5	1672043	COVER-PCB-LH
6	1452139	RETAINER-HARNESS



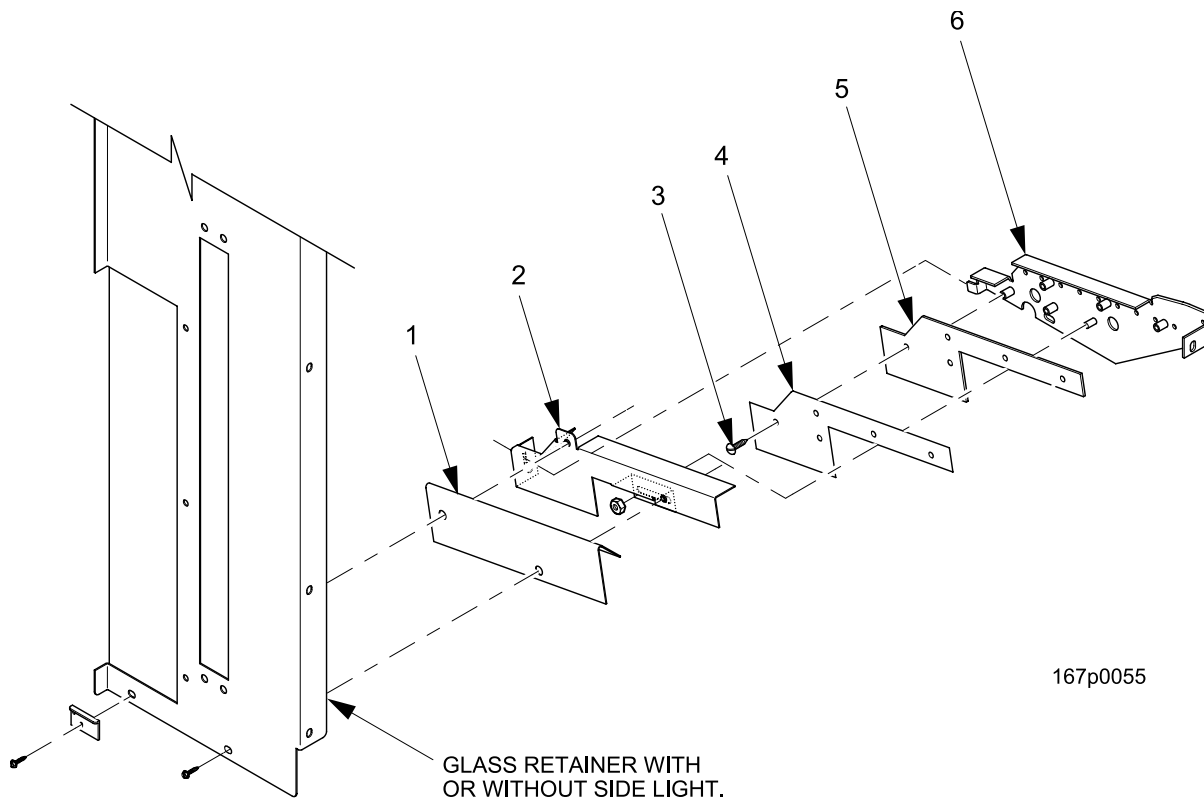
167p0054

HINGE SIDE OF DOOR

Figure 3. SureVend Receiver

TABLE 3. SUREVEND RECEIVER

INDEX	PART NUMBER	DESCRIPTION
1	1672044	COVER-PCB-RH
2	5262216	1632104 #6-32X1/4 PPHD M SCR
3	1672051	PAPER BACKING-RT PCB-SURE VEND
4	1676000	PCB ASSY-PRODUCT DET.-RECEIVER
5	1672032	SENSOR BRKT ASSY-RT-SUREVEND
6	1672038	DEFLECTOR-INNER-RH-FLT" T"BLK
7	7972020	LOCK ASSEMBLY-VEND DOOR (FOR FOOD MODULE EQUIPPED MACHINES ONLY)

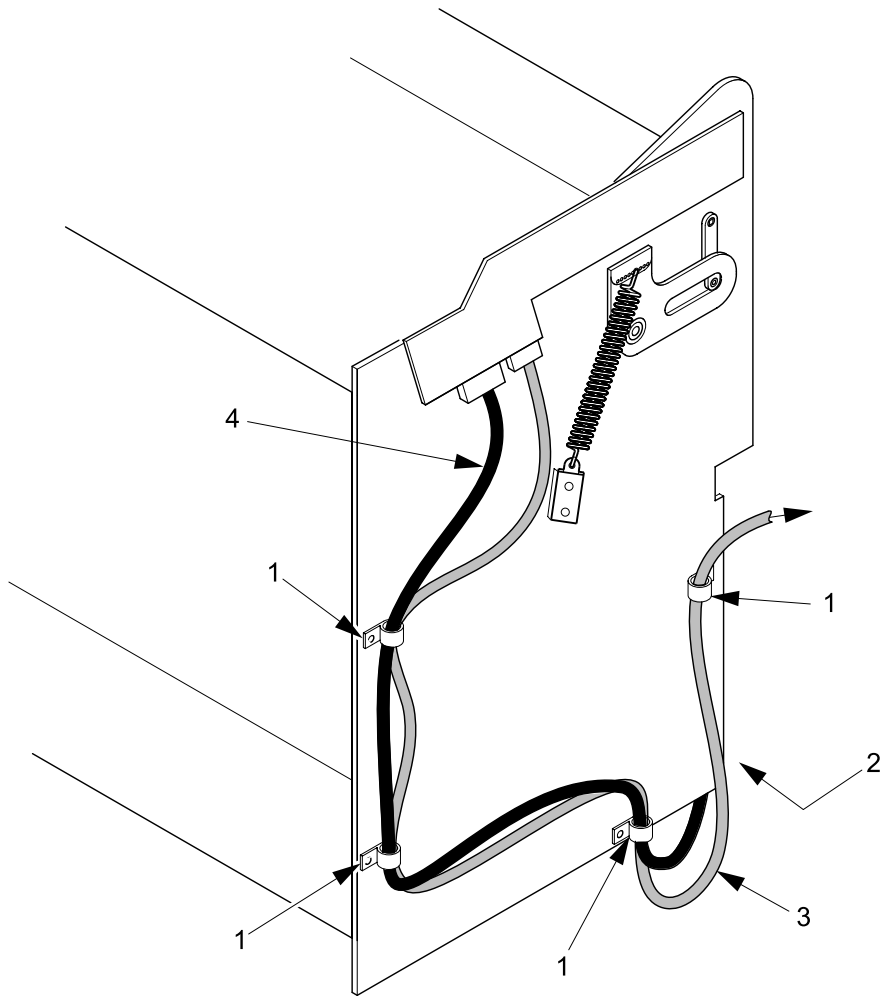


MACHINE WITH COFFEE MODULE

Figure 4. SureVend Receiver - Coffee Module Equipped Machines

TABLE 4. SUREVEND RECEIVER - COFFEE MODULE EQUIPPED MACHINES

INDEX	PART NUMBER	DESCRIPTION
1	7852001	DEFLECTOR-RT.-PLASTIC-SUREVEND
2	7852000	COVER-PCB-R.H.-SUREVEND
3	5262216	1632104 #6-32X1/4 PPHD M SCR
4	1672051	PAPER BACKING-RT PCB-SURE VEND
5	1676000	PCB ASSY-PRODUCT DET.-RECEIVER
6	1672032	SENSOR BRKT ASSY-RT-SUREVEND



167p0056

HINGE SIDE OF DELIVERY PAN
VIEWED FROM THE INTERIOR
OF DOOR

Figure 5. Wiring - Hinge Side of Delivery Pan

TABLE 5. WIRING - HINGE SIDE OF DELIVERY PAN

INDEX	PART NUMBER	DESCRIPTION
1	4732024	RETAINER-HARNESS
2	4042121	WIRE TIE-#PLT1M-M20
3	1679012	HARNESS-MAIN CONTROL TO SENSOR
4	1679013	HARNESS-EMITTER TO DETECTOR

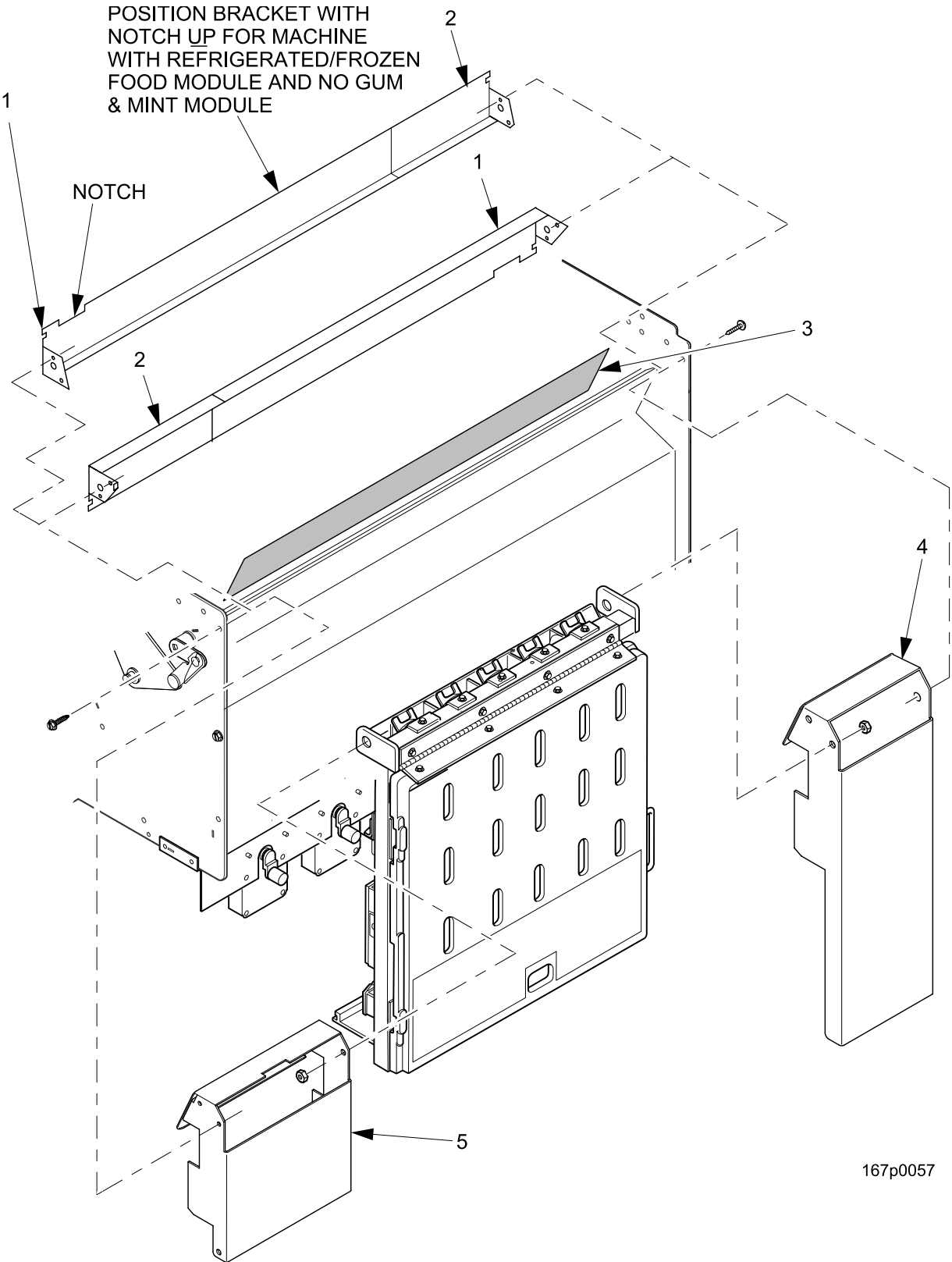


Figure 6. Deflectors and Decal - Part 1

TABLE 6. DEFLECTORS AND DECAL - PART 1

INDEX	PART NUMBER	DESCRIPTION
1	1672055	FILLER-RT-DELIVERY PAN
2	1672054	FILLER ASSEMBLY - LT. DEL. PAN
3	1672052	LABEL-GUM & MINT-MATTE
4	7972006	PROD.DEFLECTOR ASSY-RH
5	7972004	PROD.DEFLECTOR ASSY-LH

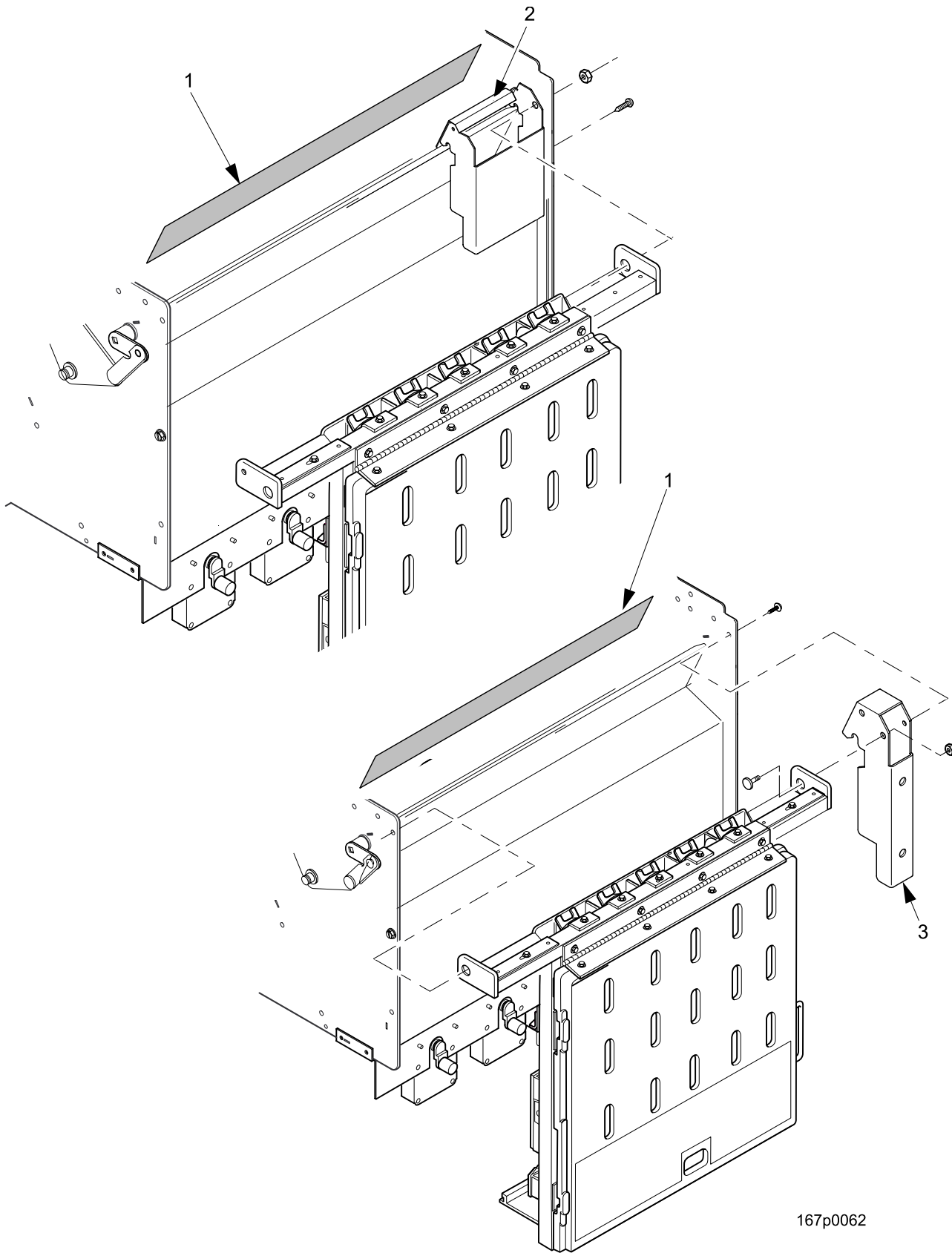


Figure 7. Deflectors and Decal - Part 2

TABLE 7. DEFLECTORS AND DECAL - PART 2

INDEX	PART NUMBER	DESCRIPTION
1	1672052	LABEL-GUM & MINT-MATTE
2	1672056	PROD.DEFLECT.ASSY.-R.H-SUREV. (MODEL 167)
3	1682054	PROD.DEFLECT.ASSY-RH-SUREVEND (MODEL 168)

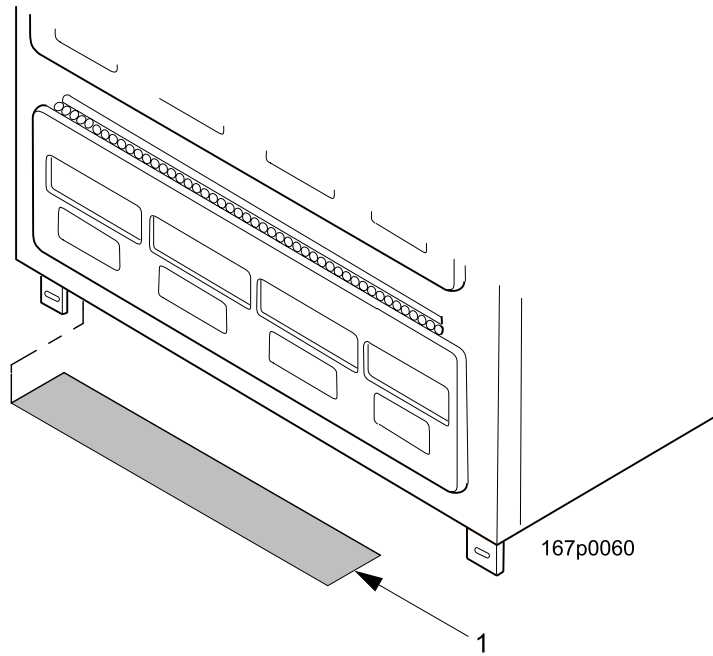
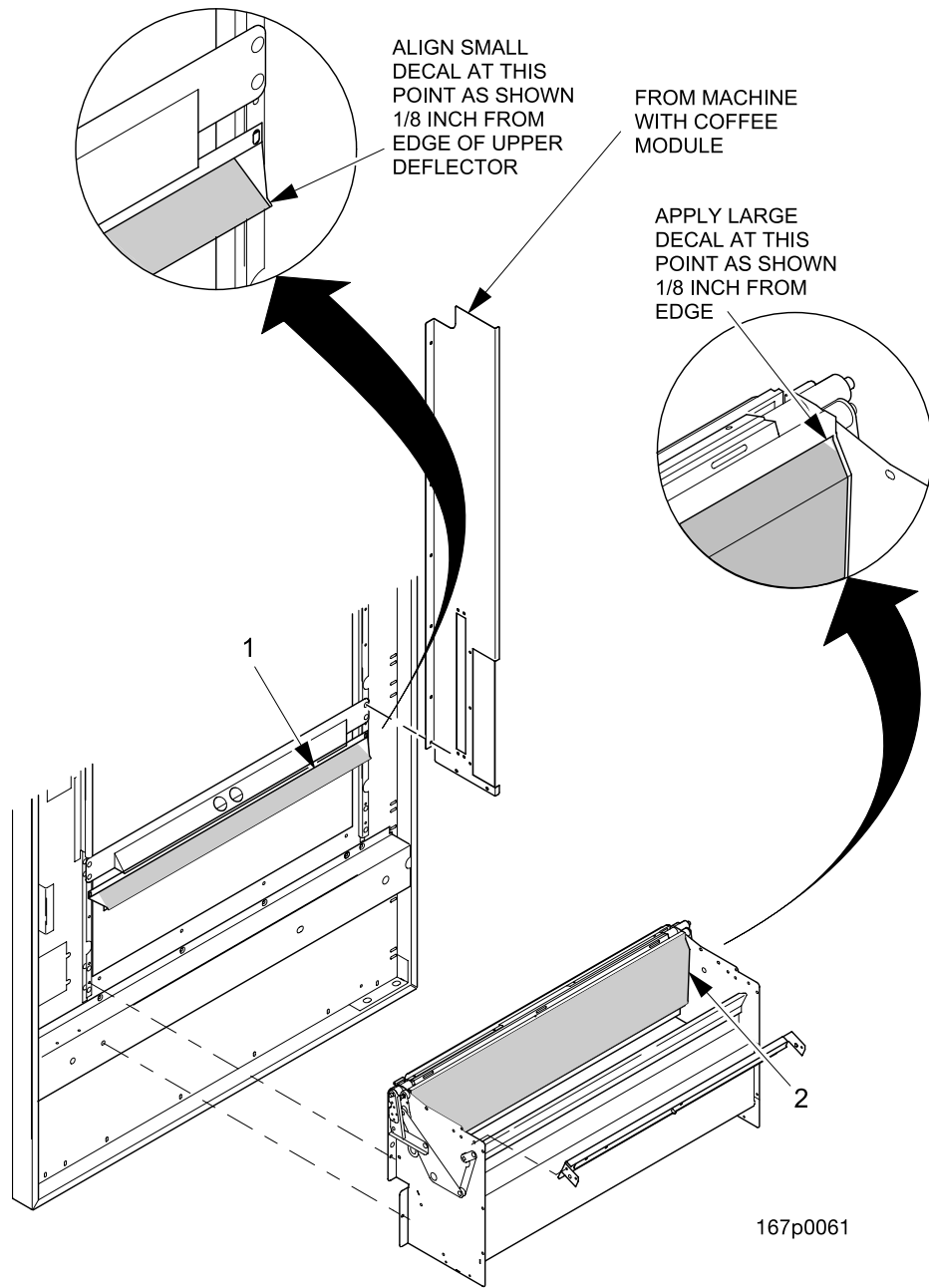


Figure 8. Decal - 8-Select Can Module

TABLE 8. DECAL - 8-SELECT CAN MODULE

INDEX	PART NUMBER	DESCRIPTION
1	7841017	OVERLAY-NON REFL-8 SEL CAN



DELIVERY PAN SHOWN REMOVED FOR CLARITY ONLY

Figure 9. Decals - Delivery Pan

TABLE 9. DECALS - DELIVERY PAN

INDEX	PART NUMBER	DESCRIPTION
1	7971014	OVERLAY-NON REFL-UPR.DEFLECT.
2	7971015	OVERLAY-NON REFL-PILFER DOOR

Part Number Index

1452139	3	1672055	11	5262216	5, 7
1672029	3	1672056	13	7841017	14
1672032	5, 7	1676000	5, 7	7852000	7
1672038	5	1676011	3	7852001	7
1672039	3	1679012	9	7971014	15
1672043	3	1679013	9	7971015	15
1672044	5	1681058	1	7972004	11
1672050	3	1682054	13	7972006	11
1672051	5, 7	2342044	1	7972020	5
1672052	11, 13	4042121	9		
1672054	11	4732024	9		

